



Vacuum Cleaner

with 2 in 1 Water Filtration

Hand- & Stielstaubsauger

mit 2 in 1 Akkubetriebener

Aspirateur

avec fonction 2-en-1 de filtration à eau

Aspirador vertical

con filtro de agua 2 in 1

Odkurzacz

z filtracją wody 2 w 1

Steelstrofzuiger

met 2 in 1 Waterfiltratie

Vysávač

s funkciou filtrácie vody 2 v 1

Vysavač

s funkcí filtrace vody 2 v 1



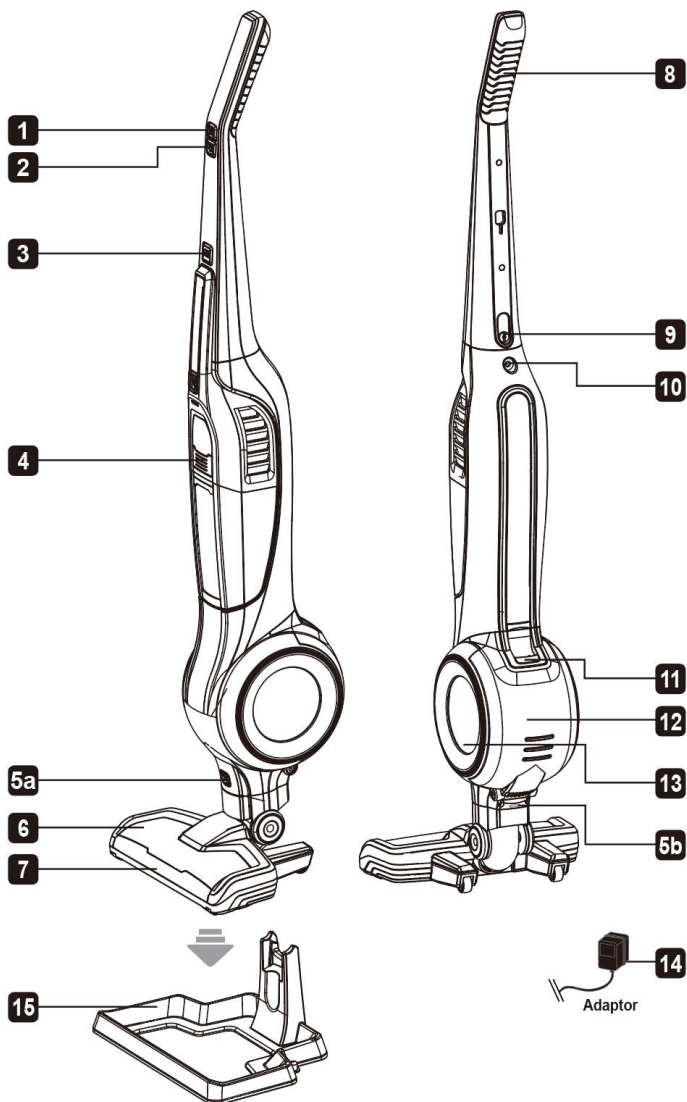
I/B Version
210215

TKG SKV 1004 N

Battery 18V DC

**CONSTRUCTION AND COMPONENTS/AUFBAU UND BESTANDTEILE/CONSTRUCTION
ET COMPOSANTS/CONSTRUCCIÓN Y COMPONENTES/BUDOWA I
KOMPONENTY/CONSTRUCTIE EN COMPONENTEN/KONŠTRUKCIA A KOMPONENTY
/ KONSTRUKCE A KOMPONENTY**

Main Unit / Hauptgerät / Unité principale / Aparato principal / Jednostka główna /
Hoofdtoestel / Hlavná jednotka / Hlavní jednotka



EN

1. On / Off switch
2. Switch for ECO mode
3. Switch for releasing the hand vacuum cleaner
4. Hand vacuum cleaner
5. Button to detach the floor brush (Ill. 5a+5b)
6. Floor brush
7. LED-Light indicator
8. Handle
9. Handle locking screw
10. Connection charging cable
11. Switch for releasing the water tank
12. Water tank casing
13. Water tank
14. Power supply

FR

1. Interrupteur marche / arrêt
2. Interrupteur pour mode ECO
3. Bouton pour détacher l'aspirateur à main
4. Aspirateur à main
5. Bouton pour détacher la brosse à plancher (Ill. 5a + 5b)
6. Brosse pour sol
7. Indicateur LED
8. Poignée
9. Vis d'attache de la poignée
10. Connexion pour le câble de charge
11. Bouton pour détacher le réservoir d'eau
12. Boîtier du réservoir d'eau
13. Réservoir d'eau
14. Alimentation

DE

1. Ein-/Ausschalter
2. Schalter für ECO-Modus
3. Schalter zum Lösen des Handteils
4. Handstaubsauger
5. Knopf zum Lösen der Bodendüse (siehe 5a+5b)
6. Bodendüse
7. LED-Beleuchtung
8. Griff
9. Feststellschraube Griff
10. Anschluss Ladekabel
11. Schalter zum Lösen des Wasserbehälters
12. Ummantelung Wasserbehälter
13. Wasserbehälter
14. Netzteil

ES

1. Interruptor encendido/apagado
2. Interruptor para el modo ECO
3. Botón para desprender el aspirador de mano
4. Aspirador de mano
5. Botón para desprender la boquilla de suelo (Ill. 5a + 5b)
6. Boquilla de suelo
7. Indicador LED
8. Agarradero
9. Tornillo de bloqueo del agarradero
10. Enchufe para el cargador
11. Botón para desprender el depósito de agua
12. Caja del depósito de agua
13. Depósito de agua
14. Alimentación eléctrica

PL

1. Włłącznik/Wyłącznik
2. Przycisk modułu ECO
3. Przycisk zwalniania odkurzacza ręcznego
4. Odkurzaczy ręczny
5. Przycisk odczepiania szczotki/ssawy (il. 5a+5b)
6. Szczotka/Ssawa
7. Lampka kontrolna LED
8. Uchwyt
9. Śruba blokująca uchwyt
10. Wejście na kabel ładujący
11. Przycisk zwalniania pojemnika na wodę
12. Obudowa pojemnika na wodę
13. Pojemnik na wodę
14. Przewód zasilający

SK

1. Vypínač
2. Prepínač ECO režimu
3. Prepínač na uvoľnenie ručného vysávača
4. Ručný vysávač
5. Tlačidlo na odpojenie podlahovej kefy (Obr. 5a + 5b)
6. Podlahová kefa
7. LED-svetelný indikátor
8. Rukoväť
9. Zaisťovacia skrutka rukoväťe
10. Pripojenie nabijacieho kábla
11. Prepínač na uvoľnenie nádrže na vodu
12. Kryt nádrže na vodu
13. Nádrž na vodu
14. Napájanie

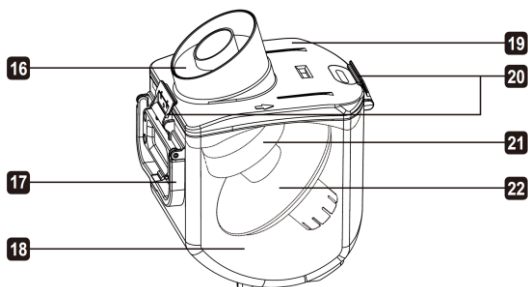
NL

1. Aan / uit-schakelaar
2. ECO-modus schakelaar
3. Knop om het handstuk los te maken
4. Handstofzuiger
5. Knop om de vloerborstel los te maken (Ill. 5a + 5b)
6. Vloerborstel
7. LED-lichtindicator
8. Handvat
9. Handvat fixatieschroef
10. Aansluiting laadkabel
11. Knop om de watertank los te maken
12. Deksel van de watertank
13. Watertank
14. Electriciteitsaansluiting

CZ

1. Vypínač
2. Přepínač ECO režimu
3. Přepínač pro uvoľnění ručního vysavače
4. Ruční vysavač
5. Tlačítko pro odpojení podlahové kartáče (Obr. 5a + 5b)
6. Podlahový kartáč
7. LED-světelný indikátor
8. Rukojeť
9. Zajišťovací šroub rukojeti
10. Připojení nabíjecího kabelu
11. Přepínač pro uvoľnění nádrže na vodu
12. Kryt nádrže na vodu
13. Nádrž na vodu
14. Napájení

Water tank / Wasserbehälter / Réservoir d'eau / Depósito de agua / Pojemnik na wodę /
Watertank / Nádrž na vodu / Nádrž na vodu



EN

1. Textile-permanent filter
2. Handle
3. Water tank
4. Water tank lid
5. Lid locking clips
6. Inner tube
7. Tube end caps

FR

1. Filtre textile permanent
2. Poignée
3. Réservoir d'eau
4. Couverture du réservoir d'eau
5. Clips de fermeture du couvercle
6. Tuyau intérieur
7. Embouts de tuyau

PL

1. Filtr tekstylny
2. Uchwyt
3. Zbiornik wody
4. Pokrywa zbiornika wody
5. Zatrzaski blokujące pokrywę
6. Rurka wewnętrzna
7. Końcówki rurki

SK

1. Textilný permanentný filter
2. Rukoväť
3. Nádrž na vodu
4. Veko nádrže na vodu
5. Uzamykacie spony veka
6. Vnútorná trubica
7. Koncové uzávery trubice

DE

1. Textil-Dauerfilter
2. Griff
3. Wasserbehälter
4. Behälterdeckel
5. Deckelverschlussclips
6. Innenrohr
7. Rohrabschluss

ES

1. Filtro de textiles permanente
2. Agarradero
3. Depósito de agua
4. Tapa del depósito de agua
5. Broches de cierre de la tapa
6. Tubo interior
7. Conectores del tubo

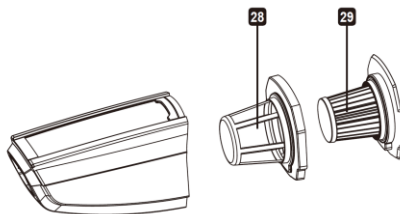
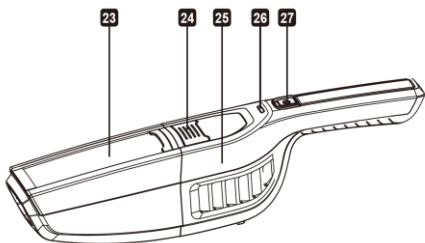
NL

1. Permanent textielfilter
2. Handvat
3. Watertank
4. Watertankdeksel
5. Vergrendelklemmen van het deksel
6. Binnenbuis
7. Eindkappen van de buis

CZ

1. Textilní permanentní filtr
2. Rukojeť
3. Nádrž na vodu
4. Víko nádrže na vodu
5. Uzamykací spony víka
6. Vnitřní trubice
7. Koncové uzávěry trubice

Hand vacuum cleaner / Handteil / Aspirateur à main / Aspirador de mano / Odkurzacz ręczny / Handstofzuiger) /Ručný vysávač / Ruční vysavač



EN

1. Dust container
2. Dust container release
3. Exhaust air slots with textile filter
4. Charge indicator
5. On-/ Off switch
6. Filter Holder
7. HEPA filter cartridge

DE

1. Staubbehälter
2. Staubbehälterfreigabe
3. Abluftschlitze mit Textilfilter
4. Ladeanzeige
5. Ein-/Ausschalter
6. Filterhalter
7. HEPA-Filtereinsatz

FR

1. Bac à poussière
2. Bouton d'ouverture - bac à poussière
3. Fentes de sortie d'air avec filtre textile
4. Indicateur de charge
5. Interrupteur marche / arrêt
6. Porte-filtre
7. Filtre HEPA

ES

1. Depósito de polvo
2. Botón despresder - depósito de polvo
3. Salidas de aire con filtro para textiles
4. Indicador de carga
5. Interruptor encendido/apagado
6. Soporte del filtro
7. Filtro HEPA

PL

1. Pojemnik na kurz
2. Zwolnienie pojemnika na kurz
3. Wentylacyjne z filtrem tekstylnym
4. Wskaźnik naładowania
5. Włącznik / wyłącznik
6. Uchwyt filtra
7. Wkład filtra HEPA

NL

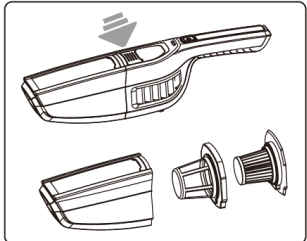
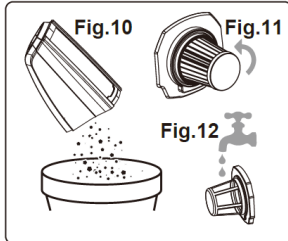
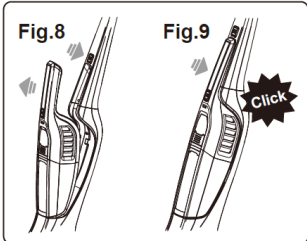
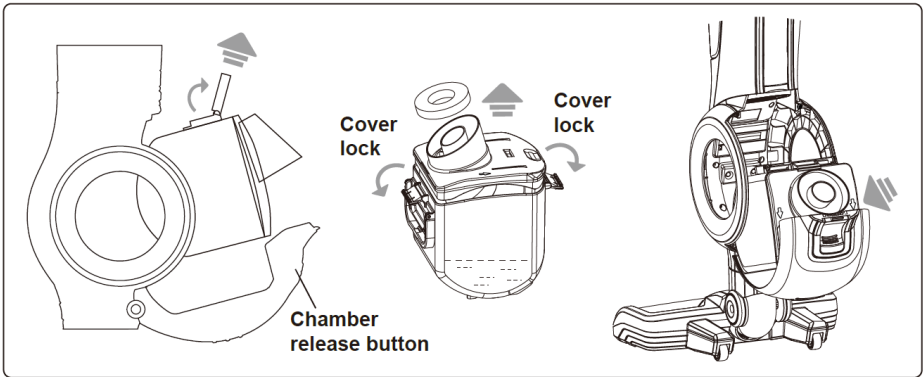
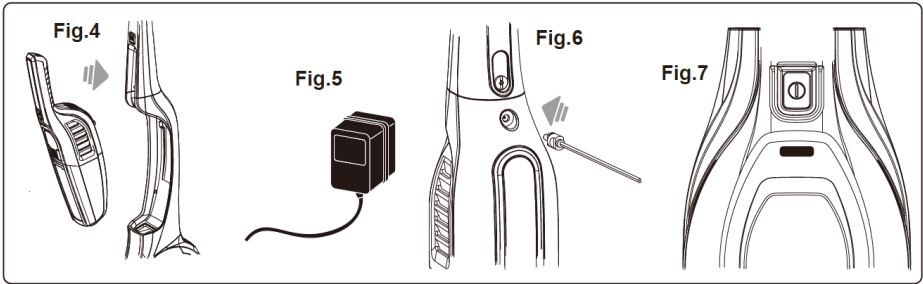
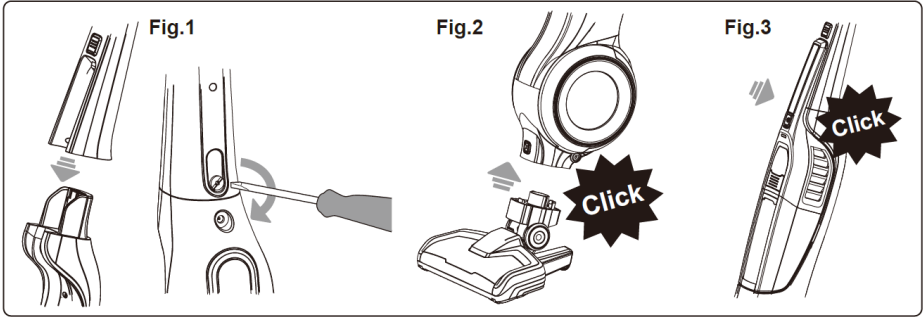
1. Stofcontainer
2. Knop om de stofcontainer te openen
3. Uitlaatluchtsleuven met textielfilter
4. Oplaadindicator
5. Aan- / uitschakelaar
6. Filterhouder
7. HEPA filter

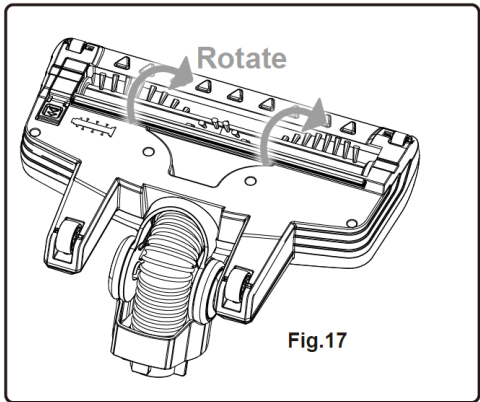
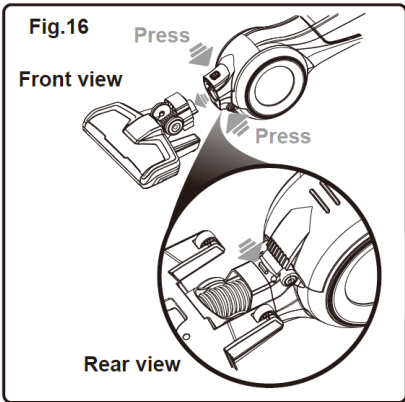
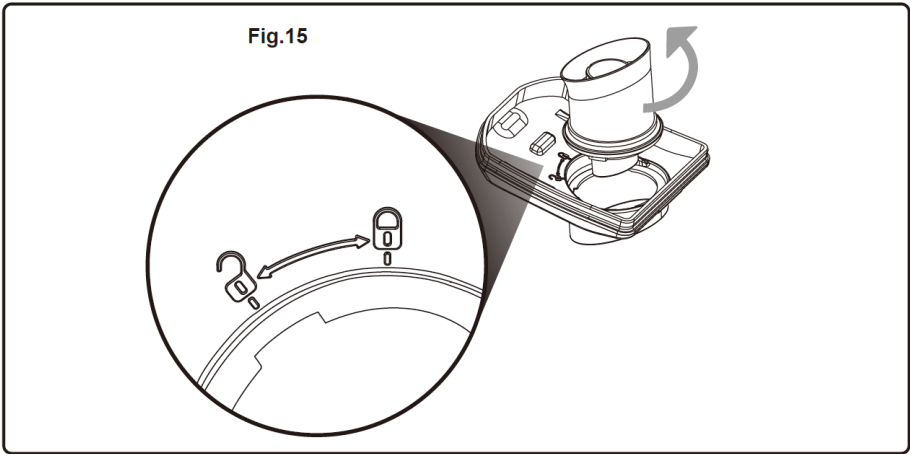
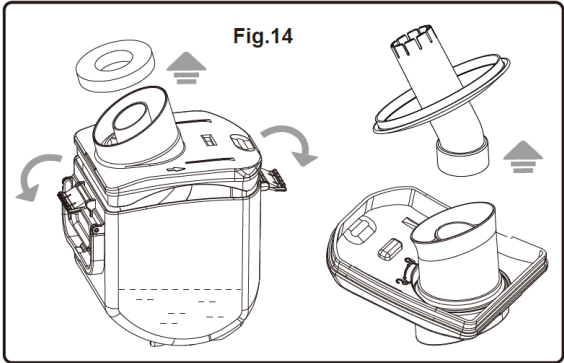
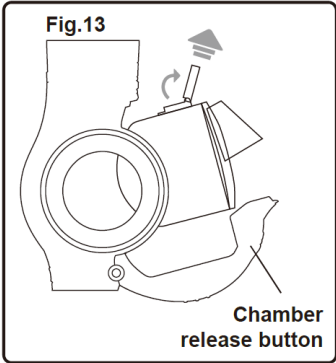
SK

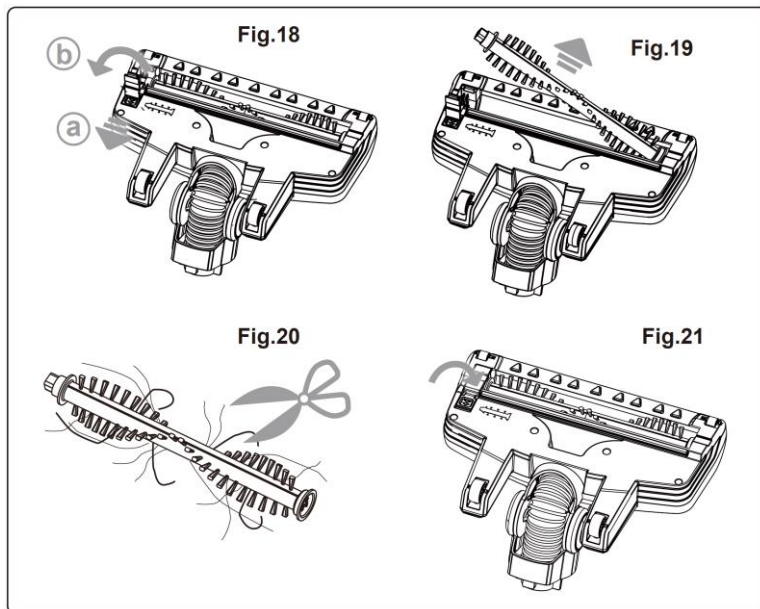
1. Nádobna na prach
2. Uvoľňovacie tlačidlo nádoby na prach
3. Odvetrávacie štrbiny s textilným filtrom
4. Indikátor nabíjania
5. Vypínač
6. Držiak filtra
7. HEPA filtračná kazeta

CZ

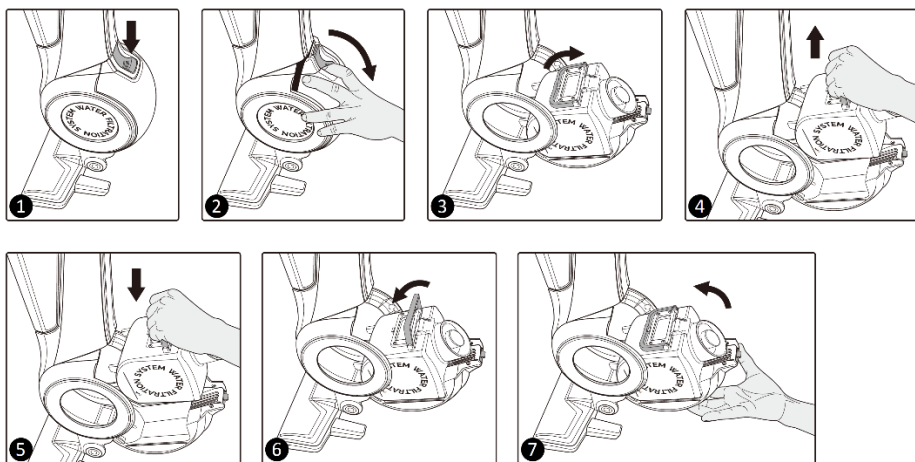
1. Nádobna na prach
2. Uvoľňovací tlačítko nádoby na prach
3. Odvětrávací štrbiny s textilním filtrem
4. Indikátor nabíjení
5. Vypínač
6. Držák filtru
7. HEPA filtrační kazeta







**HOW TO TAKE OUT THE FILTER/ WIE MAN DEN FILTER ENTFERNT /COMMENT
RETIRER LE FILTRE/COMO QUITAR EL FILTRO/ JAK WYJMOWAĆ FILTR / HET
FILTER VERWIJDEREN / AKO VYBRAŤ FILTER /JAK VYBRAT FILTR**





ENGLISH

IMPORTANT SAFEGUARDS

Please read this manual carefully before using the appliance, and always follow the safety and operating instructions.

Important : This appliance can be used by children over 8 years old and people with reduced physical, sensory or mental capacities or with a lack of experience or knowledge if they have been given supervision or instructions concerning the safe use of the appliance and the risks involved. Children shall not play with the appliance. Cleaning and user maintenance shall not be made by children unless they are older than 8 years and supervised. Never leave the appliance and its cord unsupervised and within reach of children less than 8 years old or irresponsible persons when it is plugged into the wall or when it is cooling down.

- ❑ Check that the mains voltage matches the voltage noted on the appliance before using the appliance.
- ❑ Only use the supplied charging cable and power adapter to charge the appliance. Do not use the power adapter with other devices.
- ❑ If the supply cord or appliance is damaged, stop using the appliance immediately and seek advice from the manufacturer, its service agent or a similarly qualified person (*).
- ❑ If the power supply and / or charging cables are damaged, they must be repaired by the manufacturer, the customer service or a qualified specialist to avoid any possible hazard.
- ❑ Use the appliance for household purposes only as described in this manual.
- ❑ Never immerse the appliance, the charging cable or the mains plug in water or other liquids.
- ❑ Never use the appliance and the power supply near hot surfaces.
- ❑ Never use the appliance outdoors and always store it in a dry place.

- ❑ Only suitable for dry vacuuming. Never soak up water or other liquids.
- ❑ Never vacuum toxic materials, as vapors and dust can be hazardous to your health.
- ❑ Never use the appliance to vacuum mortar, cement or other substances that harden on contact with water and may interfere with normal operation of the vacuum cleaner.
- ❑ Do not use the appliance on pets.
- ❑ Sparks within the motor can ignite flammable vapors or dust. Never use it near flammable or explosive liquids (such as gasoline, oil paints, detergents), near gases, explosive substances (such as coal dust, magnesium, gunpowder), smoke or fire sources.
- ❑ Use only accessories recommended by the supplier. Other accessories pose a danger to the user and could damage the appliance.
- ❑ Always unplug the AC adapter from the wall outlet by pulling on the plug itself. Never pull on the charging cable.
- ❑ Regularly remove blockages caused by hair, dust fluff and the like in order not to reduce the suction power.
- ❑ If the suction power decreases or if the dust collector is full, clean the filters and empty the container. Otherwise, the device may overheat. Should this happen, the warranty will no longer apply.

(*) Competent qualified electrician: after-sales department of the producer or importer or any person who is qualified, approved and competent to perform this kind of repairs in order to avoid all danger. In case of need you should return the appliance to this electrician.

ASSEMBLING THE VACUUM CLEANER

- Unpack the device and all accessories.
- Make sure that all parts mentioned in the manual are present and undamaged.
- Carefully secure the handle (8) to the main unit. To do this, carefully pull on the supplied locking screw (9) (Ill. 4, Fig. 1).
- Insert the hand vacuum cleaner (4) into the main unit. For this, the device must always be switched off. Pay attention to the "click" sound when snapping in (Ill. 4, Fig. 3). Make sure that there are no substances between the contacts of the handpiece (4) and the main unit.
- Charge the battery in the following situations:
 - Before first use; in this case, the battery must be fully charged (6-8 hours).
 - After a long period without use. (For optimal battery life, we recommend charging the device at least every three months.)
- To load, the hand vacuum cleaner (4) must be inserted in the main unit (Ill. 5, Fig. 4).
- Plug the mains adapter of the charging cable (14) into a socket (Ill. 5, Fig. 5). Connect the charging cable (14) to the charging port (10) of the main unit (Ill. 5, Fig. 6). Make sure that the contacts on the charging cable and the vacuum cleaner are clean. If necessary, remove the charging cable and clean the connectors.
- The charge indicator (4) turns red while the battery is charging (Ill. 5, Fig. 7) and turns to blue when the battery is fully charged.
- Both the charging cable and the vacuum cleaner may become warm while charging. This is completely normal.
- If you use the hand vacuum cleaner for a long period of time, the batteries can also warm up here. This is also completely normal.

Note: For best performance, it is recommended to charge the vacuum cleaner after each use.

USE

- Do not use the product while it is charging.
- Never touch the rotating parts of the floor brush during operation.
- Remove the water tank (Ill. 6) by first using the switch (11) and opening the water tank casing (12). Remove the water tank (3) using the handle (2). Open the locking clips (5) and remove the lid (4).
- Pour clean water in the tank, up to the mark.
- Close the lid (4) again and put the water tank (3) back into the main unit.
- Press the on / off switch (1) on the handle (8) of the main unit to switch on the device. Use the ECO switch (2) to change the speed levels.
- Press the on / off button (1) again to switch off the appliance.
- During short breaks, you can stop the vacuum cleaner by tilting the appliance slightly forward.
- The floor brush is suitable for the daily cleaning of larger surfaces, hard and smooth floors or carpets.
- The hand vacuum cleaner is suitable for mattresses, sofas, curtains and wallpapers. Press the release button (3) on the main unit to remove the handle (4) (Ill. 7, Fig. 8). Switch on the device by pressing the on / off switch (5) on the hand vacuum cleaner.
- Never use the hand vacuum cleaner to vacuum water or other liquids.

Note:

1. During cleaning, foam may form in the water tank. The performance of the device is not affected by slight foaming.
2. Detergent, soap powder, bleach and the like **MUST NOT** be added to the water tank.
3. Make sure that the vacuum cleaner is on a level, non-slip surface before releasing it, to prevent it from falling over and causing possible damage to the unit or floor.
4. Turn off the vacuum cleaner before each shutdown, otherwise the rotating bristles may permanently damage your (carpet) floor.

BATTERY WARNING

- Blue - Battery full
- Blinking blue - Less than 20% battery remaining
- Blinking red - Low battery status

CLEANING AND CARE

- Switch off the appliance before each cleaning.
- Wipe the housing of the hand vacuum cleaner and the main unit with a soft, dry cloth.
- Persistent stains can be removed with a damp cloth and some detergent. Dry the cleaned area completely afterwards.
- Change the water in the tank while using the vacuum cleaner as soon as it is dirty and after each use at the latest. To do this, press the release switch (11) and remove the water tank (Ill. 10, Fig. 13). Proceed as for filling the water tank. Empty the water tank and clean it thoroughly with water.
- Turn the inner tube (6) counterclockwise to remove it (Ill. 10, Fig. 15); you can also refer to the marking. Clean the lid, tube, inner tube and textile filter with clean water and let everything dry thoroughly before reassembling and installing the water tank.
- Lay the vacuum cleaner flat on the floor to disassemble the floor brush (6). To do this, press the release switches (5a, 5b) simultaneously (Ill. 11, Fig. 16).
- Clean the dust container of the hand vacuum cleaner after each use. Remove the dust container from the engine block by pressing the release button (2). We recommend that you do this over a trash can (Ill. 9, Fig. 10).
- Remove the filter holder (6) and filter cartridge (7) by turning it counterclockwise (Ill. 9, Fig. 11). Tap the filter cartridge and clean the filter holder under running water (Ill. 9, Fig. 12). Allow all parts to dry before reassembling.
- Cleaning the filter and the dust container is very important, as it allows the device to operate optimally and eliminates unpleasant odors.
- Manually rotate the mobile element of the floor brush regularly to remove any foreign objects that may be stuck (Ill. 12).
-
- If the moving element does not rotate (Ill. 13), pull back the switch on the left side of the brush (a) and remove the roller (b). (Ill. 13, Fig. 18). Remove dirt and grime. When using a pair of scissors, be careful not to injure yourself or cut off the brushes (Ill. 13, Fig. 19 & 20). Put the roller back in and check if it can be easily moved manually (Ill. 13, Fig. 21)

Note: After each use, check that the brush still rotates smoothly.


TROUBLESHOOTING

Problem	Possible cause	Solution
The vacuum cleaner does not turn on	The vacuum cleaner has not been charged	Make sure the vacuum cleaner has been fully charged before first time use or if it has not been used for a long time
The vacuum cleaner is not charging	The power switch is not turned on	Make sure the power switch of the main power supply is turned on
	The power cord is damaged	Do not use a damaged power cord. Please contact the customer service center
The suction power is decreasing	The crevice tools or extension hose may be blocked	Check for any blockages and clear them
	The water in the water tank is very dirty	Regularly replace the water in the reservoir by clean water and empty the water tank after each use
	The filter is dirty	Check with the supplier for replacement parts
Vacuum cleaner is overheating	The filter is dirty	Check the filter and clean off any dirt
The air coming out of the vacuum cleaner smells bad	The filter is dirty	Check the filter and clean off any dirt
	The filter is not dry	Make sure the filter is dry before inserting it back into the hand vacuum cleaner. Replace the water with clean water if needed.
The battery/charging indicator light is blinking	The vacuum cleaner is out of power	Recharge the vacuum cleaner to its full capacity. The light will stop blinking.
The brush does not turn anymore	The brush is dirty	Clean the brush

PROTECTION OF THE ENVIRONMENT – DIRECTIVE 2012/19/EU

In order to preserve our environment and protect human health, the waste electrical and electronic equipment should be disposed of in accordance with specific rules with the



implication of both suppliers and users. For this reason, as indicated by the symbol  on the rating label or on the packaging, your appliance should not be disposed of as unsorted municipal waste. The user has the right to bring it to a municipal collection point performing waste recovery by means of reuse, recycling or use for other applications in accordance with the directive.

ERP DECLARATION – REGULATION 1275/2008/EC

We, TKG Sprl/Bvba, hereby confirm that our product meets the requirements of regulation 1275/2008/EC. Admittedly, our product does not dispose of a function to minimize the power consumption, which should according to regulation 1275/2008/EC put the product in off or standby mode after finishing the main function, but this is practically impossible, as it would compromise the main function of the product so strongly, that using the product would no longer be possible!

For this reason we always tell the customer in our instruction manual to unplug the appliance immediately after use.

The user manual is by simple request also available in electronic format from the after-sales service.



DEUTSCH

WICHTIGE SICHERHEITSVORSCHRIFTEN

Lesen Sie aufmerksam die Gebrauchsanleitung, bevor Sie Ihr Gerät benutzen, und befolgen Sie immer die Sicherheitsvorschriften und die Gebrauchsanweisung.

Wichtig: Das Gerät kann von Kindern ab 8 Jahren und von Personen mit einer körperlichen, sensorischen, geistigen oder motorischen Behinderung oder einem Mangel an Erfahrung und Kenntnissen verwendet werden, sofern diese Personen beaufsichtigt oder über den sicheren Gebrauch des Geräts unterrichtet wurden und die damit verbundenen Gefahren verstanden haben. Kinder dürfen nicht mit dem Gerät spielen. Reinigung und Benutzer-Wartung dürfen nicht durch Kinder durchgeführt werden, es sei denn, sie sind älter als 8 Jahre und beaufsichtigt. Lassen Sie Ihr Gerät und sein Netzkabel nie unbeaufsichtigt und in Reichweite von Kindern jünger als 8 Jahre oder unverantwortlichen Personen, wenn es an der Steckdose hängt oder wenn es abkühlt.

- Kontrollieren Sie, ob die Netzspannung mit der auf dem Gerät vermerkten Spannung übereinstimmt, bevor Sie das Gerät benutzen.
- Verwenden Sie das Gerät nicht, wenn das Stromkabel oder das Gerät beschädigt ist und wenden Sie sich an den Hersteller, den Kundendienst oder andere fachkundige Personen (*).
- Benutzen Sie ausschließlich das mitgelieferte Ladekabel und Netzteil zum Aufladen des Gerätes. Verwenden Sie das Netzteil nicht für andere Geräte.
- Weisen Netzteil und/oder Ladekabel Beschädigungen auf, müssen sie vom Hersteller, seinem Kundendienst oder einer qualifizierten Fachkraft ersetzt werden, um eine mögliche Gefährdung auszuschließen.
- Verwenden Sie das Gerät ausschließlich zu Haushaltszwecken wie in dieser Anleitung beschrieben.

- Tauchen Sie das Gerät, das Ladekabel oder den Netzstecker niemals in Wasser oder andere Flüssigkeiten.
- Benutzen Sie das Gerät und das Netzteil niemals in der Nähe heißer Oberflächen.
- Benutzen Sie das Gerät niemals im Freien und bewahren Sie es stets an einem trockenen Platz auf.
- Nur zum Trockensaugen geeignet. Saugen Sie damit niemals Wasser oder andere Flüssigkeiten auf.
- Saugen Sie niemals toxische Materialien auf, da Dämpfe und Staub gesundheitsgefährdend sein können.
- Benutzen Sie das Gerät niemals zum Aufsaugen von Mörtel, Zement oder anderen Stoffen, die bei Kontakt mit Wasser aushärten und entsprechend den normalen Betrieb des Staubsaugers stören können.
- Verwenden Sie das Gerät nicht an Haustieren.
- Funken innerhalb des Motors können brennbare Dämpfe oder Staub entzünden. Verwenden Sie das Gerät daher niemals in der Nähe entzündlicher oder explosiver Flüssigkeiten (z.B. Benzin, Ölfarben, Reinigungsmittel), in der Nähe von Gasen, explosiven Substanzen (z.B. Kohlenstaub, Magnesium, Schießpulver) oder Rauch- bzw. Feuerquellen.
- Benutzen Sie nur Zubehör, welches vom Lieferanten empfohlen wurde. Anderes Zubehör stellt eine Gefahr für den Benutzer dar und das Gerät könnte dadurch beschädigt werden
- Entfernen Sie das Netzteil stets aus der Steckdose, indem Sie am Stecker selbst ziehen. Ziehen Sie niemals am Ladekabel.
- Entfernen Sie regelmäßig Verstopfungen durch Haare, Staubflusen und ähnliches, um die Saugleistung nicht zu verringern.
- Reinigen Sie den Filter und entleeren Sie den Behälter, wenn die Saugkraft nachlässt oder der Staubbehälter voll ist. Andernfalls kann das Gerät überhitzen. In diesem Fall verfällt die Gewährleistung.

(*) Fachmann: anerkannter Kundendienst des Lieferanten oder des Importeurs, der für derartige Reparaturen zuständig ist. Für eventuelle Reparaturen wenden Sie sich bitte an diesen Kundendienst.

ZUSAMMENBAUEN DES STAUBSAUGERS

- Packen Sie das Gerät und alle Zubehörteile aus.
- Stellen Sie sicher, dass alle in der Anleitung genannten Teile vorhanden und unbeschädigt sind.
- Befestigen Sie den Stielgriff (8) vorsichtig an der Haupteinheit. Ziehen Sie dazu die mitgelieferte Feststellschraube (9) vorsichtig an (Abb. 4, Fig. 1).
- Setzen Sie den Handstaubsauger (4) in die Haupteinheit ein. Dafür muss das Gerät stets ausgeschaltet sein. Achten Sie auf das „Klick“-Geräusch beim Einrasten (Abb. 4, Fig. 3). Achten Sie darauf, dass sich keine Substanzen zwischen den Kontakten des Handteils (4) und der Haupteinheit befinden,
- Laden Sie in den folgenden Situationen den Akku:
 - Vor dem ersten Gebrauch; in diesem Fall muss der Akku voll aufgeladen werden (6-8 Stunden).
 - Nach längerer Nichtbenutzung. (Für die optimale Batterielevensdauer empfehlen wir, dass Gerät mindestens alle drei Monate zu laden.)
- Zum Laden muss das Handteil (4) in die Haupteinheit eingesetzt sein (Abb. 5, Fig. 4).
- Stecken Sie den Netzadapter des Ladekabels (14) in eine Steckdose (Abb. 5, Fig. 5). Verbinden Sie das Ladekabel (14) mit dem Ladeanschluss (10) der Haupteinheit (Abb. 5, Fig. 6). Achten Sie darauf, dass die Kontakte an Ladekabel und Staubsauger sauber sind. Wenn nötig, entfernen Sie das Ladekabel und reinigen Sie die Anschlüsse.
- Die Ladeanzeige (4) leuchtet rot, während der Akku lädt (Abb. 5, Fig. 7) und wechselt zu blau, wenn der Akku voll aufgeladen ist.
- Sowohl das Ladekabel als auch der Staubsauger können während des Ladens warm werden. Dies ist völlig normal.
- Wenn Sie das Handteil über einen längeren Zeitraum benutzen, können sich auch hier die Akkus erwärmen. Das ist ebenfalls völlig normal.

Hinweis: Für die bestmögliche Leistung empfiehlt es sich, den Staubsauger nach jeder Nutzung zu laden.

GEBRAUCH

- Benutzen Sie das Produkt nicht, während es lädt.
- Berühren Sie niemals die drehenden Teile der Bodendüse während des Betriebs.
- Entnehmen Sie den Wasserbehälter (Abb. 6), indem Sie zunächst den Entriegelungsschalter (11) betätigen und die Ummantelung (12) öffnen. Entfernen Sie den Behälter (3) mit Hilfe des Griffs (2). Öffnen Sie die Verschlussclips (5) und entfernen Sie den Deckel (4).
- Gießen Sie frisches Wasser bis zu Markierung in den Behälter.
- Verschließen Sie den Deckel (4) wieder und setzen Sie den Behälter (3) wieder in die Haupteinheit ein.
- Drücken Sie den Ein-/Ausschalter (1) am Stiel (8) der Haupteinheit um das Gerät einzuschalten. Mithilfe des ECO-Schalters (2) wechseln Sie die Geschwindigkeitsstufen.
- Drücken Sie den Ein-/Ausschalter (1) erneut, um das Gerät auszuschalten.
- Während kurzer Pausen können Sie den Staubsauger abstellen, indem Sie das Gerät leicht nach vorne neigen.

- Die Bodendüse eignet sich zum täglichen Reinigen von größeren Flächen, harten und glatten Böden oder Teppichböden.
- Das Handteil eignet sich für Matratzen, Sofas, Gardinen und Tapeten. Drücken Sie den Enriegelungsschalter (3) an der Haupteinheit, um das Handteil (4) zu entnehmen (Abb. 7, Fig. 8). Schalten Sie das Gerät durch Drücken des Ein-/Ausschalters (5) am Handteil ein.
- Nutzen Sie den Handstaubsauger niemals, im Wasser oder andere Flüssigkeiten aufzusaugen.

Hinweis:

1. Während des Reinigens kann sich Schaum im Wasserbehälter bilden. Die Leistung des Gerätes wird durch leichte Schaumbildung jedoch nicht beeinflusst.
2. Reiniger, Seifenpulver, Bleichmittel und ähnliches dürfen NICHT in den Wassertank gegeben werden.
3. Achten Sie darauf, dass sich der Staubsauger auf einem ebenen, rutschsicheren Untergrund befindet, bevor Sie ihn loslassen, um ein Umfallen und mögliche Schäden am Gerät oder dem Boden zu vermeiden.
4. Schalten Sie den Staubsauger vor jedem Abstellen aus, da die rotierenden Borsten andernfalls auf Dauer Ihren (Teppich-)Boden beschädigen können.

BATTERIEANZEIGE

- Blau – Akku voll
- Blinkt Blau – weniger als 20 % Akku verbleiben
- Blinkt Rot – Niedriger Akkustatus

REINIGUNG UND PFLEGE

- Schalten Sie das Gerät vor jeder Reinigung aus.
- Wischen Sie das Gehäuse von Handteil und Haupteinheit mit einem weichen, trockenen Tuch ab.
- Hartnäckige Flecken können Sie mit einem feuchten Tuch und etwas Spülmitteln entfernen. Trocknen Sie die betroffene Stelle anschließend vollständig.
- Wechseln Sie das Wasser im Behälter während des Saugens, sobald es schmutzig ist und spätestens nach jeder Benutzung. Drücken Sie dafür den Freigabeschalter (11) und entnehmen Sie den Wasserbehälter (Abb. 10, Fig. 13). Gehen Sie wie beim Befüllen des Behälters vor. Entleeren Sie den Behälter und reinigen Sie ihn gründlich mit Wasser.
- Drehen Sie das Innenrohr (6) entgegen den Uhrzeigersinn, um es zu Entnehmen (Abb. 10, Fig. 15); beachten Sie dazu auch die angebrachte Markierung. Reinigen Sie Deckel, Rohrabschluss, Innenrohr und Textfilter mit klarem Wasser und lassen Sie alles gründlich trocknen, bevor Sie den Behälter wieder zusammen- und einbauen.
- Legen Sie den Staubsauger flach auf den Boden, um die Bodendüse (6) zu demontieren. Halten Sie dafür die Entriegelungsschalter (5a, 5b) gleichzeitig gedrückt (Abb. 11, Fig. 16).
- Reinigen Sie den Staubbehälter des Handteils nach jeder Benutzung. Entfernen Sie den Staubbehälter vom Motorblock, indem Sie auf die Entriegelungstaste (2) drücken. Wir empfehlen Ihnen, das über einem Mülleimer zu machen (Abb. 9, Fig. 10).
- Entnehmen Sie den Filterhalter (6) und Filtereinsatz (7) durch Drehen entgegen des Uhrzeigersinns (Abb. 9, Fig. 11). Klopfen Sie den Filtereinsatz aus und reinigen Sie den Filterhalter unter fließendem Wasser (Abb. 9, Fig. 12). Lassen Sie alle Teile trocknen, bevor Sie sie wieder zusammenbauen.
- Die Reinigung des Filters und des Staubbehälters ist sehr wichtig, da sie den optimalen Betrieb des Gerätes ermöglicht, und unangenehme Gerüche eliminiert.
- Rotieren Sie das bewegliche Element der Bodendüse regelmäßig manuell, um klemmende Fremdkörper zu entfernen (Abb. 12).
- Sollte sich das bewegliche Element nicht rotieren lassen (Abb. 13), ziehen Sie den Schalter links an der Unterseite der Bürste zurück (a) und entnehmen Sie die Rolle (b). (Abb. 13, Fig. 18). Entfernen Sie Verschmutzungen und Dreck. Achten Sie bei der Verwendung einer Schere darauf, nicht sich selbst zu verletzen oder die Bürsten abzuschneiden (Abb. 13, Fig. 19 & 20). Setzen Sie die Rolle wieder ein und überprüfen Sie, ob sich diese problemlos manuell bewegen lässt (Abb. 13, Fig. 21)

Hinweis: Überprüfen Sie die problemlose Rotation der Bürste nach jedem Einsatz.


PROBLEMLÖSUNG

Problem	Mögliche Ursache	Lösung
Staubsauger schaltet nicht ein	Staubsauger ist nicht geladen	Stellen Sie sicher, dass der Staubsauger vor der ersten Benutzung oder nach längerer Nichtbenutzung voll aufgeladen wird.
Staubsauger lädt nicht	Sicherung ist deaktiviert	Sicherung überprüfen
	Ladekabel ist beschädigt	Verwenden Sie niemals ein beschädigtes Ladekabel. Wenden Sie sich an den Kundendienst.
Saugkraft lässt nach	Verstopfung innerhalb des Gerätes	Überprüfen Sie alle Teile und entfernen Sie mögliche Verstopfungen.
	Hohe Verschmutzung im Wassertank	Wechseln Sie das Wasser regelmäßig und spätestens nach jeder Benutzung.
	Verschmutzter Filter	Wenden Sie sich an den Verkäufer oder Hersteller für mögliche Ersatzteile.
Staubsauger überhitzt	Verschmutzter Filter	Überprüfen Sie den Filter und entfernen Sie eventuelle Verschmutzungen.
Abluft riecht unangenehm	Verschmutzter Filter	Überprüfen Sie den Filter und entfernen Sie eventuelle Verschmutzungen.
	Filter ist nicht vollständig abgetrocknet	Lassen Sie die Filter vor dem Wiedereinsetzen vollständig trocknen.
Ladeanzeige blinkt	Akku leer	Laden Sie den Staubsauger vollständig auf. Das Blinken stoppt.
Bürste rotiert nicht	Verschmutzte Bürste	Bürste reinigen

UMWELTSCHUTZ – RICHTLINIE 2012/19/EU

Zum Schutz unserer Umwelt und unserer Gesundheit sind Elektro- und Elektronik-Altgeräte nach bestimmten Regeln zu entsorgen. Dies fordert den Einsatz sowohl des Herstellers bzw. Lieferanten als auch des Verbrauchers.



Aus diesem Grund darf dieses Gerät, wie das Symbol  auf dem Typenschild bzw. auf der Verpackung zeigt, nicht in den unsortierten Restmüll gegeben werden. Der Verbraucher hat das Recht, dieses Gerät über kommunale Sammelstellen zu entsorgen; von dort aus wird die spezifische Behandlung, Verwertung bzw. das Recycling gem. den Erfordernissen der Richtlinie sichergestellt.

ERP DEKLARATION – VO 1275/2008/EG

Wir, TKG Sprl/Bvba, bestätigen hiermit, dass unser Produkt den Anforderungen der VO 1275/2008/EG entspricht. Unser Produkt verfügt zwar nicht über eine Funktion zur Minimierung des Verbrauchs, welche laut VO 1275/2008/EG das Produkt nach Beendigung der Hauptfunktion in den Aus- oder Bereitschaftszustand versetzen soll, aber dies ist aus Sicht des Gebrauchswertes nicht möglich, da dies die Hauptfunktion des Produktes so stark beeinträchtigen würde, dass eine Benutzung des Produktes nicht mehr möglich sein würde!

Aus diesem Grund weisen wir in unserer Bedienungsanleitung den Kunden stets darauf hin, das Gerät sofort nach dem Gebrauch vom Netz zu trennen.

Die Bedienungsanleitung ist auf einfache Nachfrage auch verfügbar in elektronischem Format bei dem Kundendienst (siehe Garantiekarte).



FRANCAIS

POUR VOTRE SECURITE

Lisez attentivement cette notice avant toute utilisation, et respectez bien à la fois les consignes de sécurité et d'usage.

Important : Votre appareil peut être utilisé par des enfants âgés de plus de 8 ans et des personnes ayant des capacités physiques, sensorielles ou mentales réduites ou des personnes dénuées d'expérience ou de connaissances, s'ils ont pu bénéficier, au préalable, d'une surveillance ou d'instructions concernant son utilisation en toute sécurité et sur les risques encourus. Les enfants ne doivent surtout pas jouer avec l'appareil. Le nettoyage et la maintenance ne doivent pas être effectués par des enfants à moins qu'ils aient plus de 8 ans et qu'ils soient supervisés. Ne laissez jamais votre appareil et son câble d'alimentation sans surveillance et à la portée des enfants de moins de 8 ans ou des personnes non responsables, lorsque celui-ci est sous tension ou pendant sa phase de refroidissement.

- ❑ Vérifiez que la tension du secteur correspond à la tension indiquée sur l'appareil avant de l'utiliser.
- ❑ Utilisez uniquement le câble de charge et l'adaptateur d'alimentation fournis pour charger l'appareil. N'utilisez pas l'adaptateur secteur avec d'autres appareils.
- ❑ Si le chargeur, le câble ou l'appareil est endommagé, il doit être réparé par le fabricant, le service après-vente ou un spécialiste qualifié (*) afin d'éviter tout danger.
- ❑ Utilisez l'appareil uniquement à des fins domestiques, comme décrit dans ce manuel.
- ❑ Ne plongez pas l'appareil, le câble de charge ou la fiche d'alimentation dans l'eau ou d'autres liquides.
- ❑ N'utilisez pas l'appareil et l'alimentation électrique à proximité de surfaces chaudes.
- ❑ N'utilisez pas l'appareil à l'extérieur et rangez-le toujours dans un endroit sec.

- ❑ Convient uniquement pour l'aspiration à sec. Ne pas absorber d'eau ou d'autres liquides.
- ❑ N'aspirez pas de matériaux toxiques, car les vapeurs et la poussière peuvent être dangereuses pour la santé.
- ❑ N'utilisez pas l'appareil pour aspirer du mortier, du ciment ou d'autres substances qui durcissent au contact de l'eau et qui pourraient interférer avec le fonctionnement normal de l'aspirateur.
- ❑ N'utilisez pas l'appareil sur des animaux de compagnie.
- ❑ Des étincelles dans le moteur peuvent enflammer des vapeurs inflammables ou de la poussière. Ne l'utilisez pas à proximité de liquides inflammables ou explosifs (essence, peintures à l'huile, détergents), de gaz, de substances explosives (poussière de charbon, magnésium, poudre à canon), de fumée ou de feu.
- ❑ Utilisez uniquement les accessoires recommandés par le fournisseur. D'autres accessoires constituent un danger pour l'utilisateur et peuvent endommager l'appareil.
- ❑ Débranchez toujours l'adaptateur secteur de la prise murale en tirant sur la prise. Ne tirez jamais sur le câble de charge.
- ❑ Éliminez régulièrement les bouchons causés par les cheveux, les peluches et similaires afin de ne pas perdre de puissance d'aspiration.
- ❑ Si la puissance d'aspiration diminue ou si le collecteur à poussière est plein, nettoyez les filtres et videz le collecteur. Dans le cas contraire, l'appareil pourrait surchauffer. Si cela se produit, la garantie ne sera plus d'application.

(*) Service qualifié compétent: service après-vente du fabricant ou de l'importateur ou une personne qualifiée, reconnue et habilitée à faire ce genre de réparation afin d'éviter tout danger. Dans tous les cas, veuillez retourner l'appareil auprès de ce service.

ASSEMBLAGE DE L'ASPIRATEUR

- Déballez l'appareil et tous les accessoires.
- Assurez-vous que toutes les pièces mentionnées dans le manuel sont présentes et intactes.
- Fixez soigneusement la poignée (8) à l'unité principale. Pour ce faire, tirez délicatement sur la vis d'attache (9) fournie (Ill. 4, Fig. 1).
- Insérez l'aspirateur à main (4) dans l'unité principale. Pour cela, l'appareil doit toujours être éteint. Veillez au son "clic" lors de l'insertion (Ill. 4, Fig. 3). Assurez-vous que rien ne se trouve entre les contacts de l'aspirateur à main (4) et l'unité principale.
- Chargez la batterie dans les situations suivantes:
 - Avant la première utilisation; dans ce cas, la batterie doit être complètement chargée (6-8 heures).
 - Après une longue période sans utilisation. (Pour une durée de vie optimale, nous recommandons de charger l'appareil au moins tous les trois mois.)
- Pour charger, l'aspirateur à main (4) doit être inséré dans l'unité principale (Ill. 5, Fig. 4).
- Branchez l'adaptateur secteur de l'alimentation (14) dans une prise (Ill. 5, Fig. 5). Raccordez l'alimentation (14) à la connexion (10) de l'unité principale (Ill. 5, Fig. 6). Assurez-vous que les contacts sur le câble de charge et l'aspirateur sont propres. Si nécessaire, retirez le câble de charge et nettoyez les connecteurs.
- L'indicateur de charge (4) est rouge lorsque la batterie est en charge (Ill. 5, Fig. 7) et devient bleu lorsque la batterie est complètement chargée.
- Le câble de chargement et l'aspirateur peuvent chauffer pendant le chargement. C'est tout à fait normal.
- Si vous utilisez l'aspirateur à main pendant une longue période, la batterie peut également chauffer. C'est également tout à fait normal.

Remarque: Pour de meilleures performances, il est recommandé de charger l'aspirateur après chaque utilisation.

UTILISATION

- N'utilisez pas le produit lorsqu'il est en charge.
- Ne touchez jamais les parties rotatives de la brosse pour sol pendant le fonctionnement.
- Retirez le réservoir d'eau (Ill. 6) en utilisant d'abord l'interrupteur (11) et en ouvrant le boîtier du réservoir d'eau (12). Retirez le réservoir d'eau (3) à l'aide de la poignée (2). Ouvrez les clips de fermeture (5) et retirez le couvercle (4).
- Versez de l'eau propre dans le réservoir, jusqu'à la marque.
- Refermez le couvercle (4) et remettez le réservoir d'eau (3) dans l'unité principale.
- Appuyez sur l'interrupteur marche / arrêt (1) sur la poignée (8) de l'unité principale pour allumer l'appareil. Utilisez le commutateur ECO (2) pour changer les niveaux de vitesse.
- Appuyez à nouveau sur le bouton marche / arrêt (1) pour éteindre l'appareil.
- Pendant les courtes pauses, vous pouvez arrêter l'aspirateur en inclinant légèrement l'appareil vers l'avant.
- La brosse pour sol convient pour le nettoyage quotidien de grandes surfaces, sols durs et lisses ou tapis.
- L'aspirateur à main convient aux matelas, canapés, rideaux et papiers peints. Appuyez sur le bouton de déverrouillage (3) de l'unité principale pour retirer la poignée (4) (Ill. 7, Fig. 8). Allumez l'appareil en appuyant sur l'interrupteur marche / arrêt (5) de l'aspirateur à main.
- N'utilisez pas l'aspirateur à main pour aspirer de l'eau ou d'autres liquides.

Remarque:

1. Pendant le nettoyage, de la mousse peut se former dans le réservoir d'eau. La performance de l'appareil n'en est pas affectée.
2. N'ajoutez PAS de détergent, de savon en poudre, d'eau de javel et autres dans l'eau.
3. Assurez-vous que l'aspirateur se trouve sur une surface plane et antidérapante avant de le relâcher pour éviter tout chute.
4. Éteignez l'aspirateur avant chaque arrêt, pour éviter que les poils rotatifs endommagent votre plancher/ moquette.

AVERTISSEMENTS BATTERIE

- Bleu - Batterie pleine
- Bleu clignotant - Moins de 20% de batterie restante
- Rouge clignotant - État de batterie faible

NETTOYAGE ET ENTRETIEN

- Éteignez l'appareil avant chaque nettoyage.
- Frottez l'aspirateur avec un chiffon doux et sec.
- Les taches tenaces peuvent être éliminées avec un chiffon humide et un peu de détergent. Séchez bien la zone nettoyée par la suite.
- Lors de l'utilisation de l'aspirateur, changez l'eau dans le réservoir dès qu'elle est sale. Changez l'eau au plus tard après chaque utilisation. Pour ce faire, appuyez sur le bouton pour détacher le réservoir à eau (11) et retirez le réservoir d'eau (Ill. 10, Fig. 13). Procédez comme pour le remplissage du réservoir. Videz le réservoir d'eau et nettoyez-le soigneusement à l'eau.
- Tournez le tuyau intérieur (6) dans le sens inverse des aiguilles d'une montre pour le retirer (Ill. 10, Fig. 15); vous pouvez également vous référer au marquage sur l'appareil. Nettoyez le couvercle, le tuyau, le tuyau intérieur et le filtre textile à l'eau claire et laissez tout sécher complètement avant de réassembler et d'installer le réservoir à eau.
- Posez l'aspirateur à plat sur le sol pour démonter la brosse pour sol (6). Pour ce faire, appuyez simultanément sur les boutons de déverrouillage (5a, 5b) (Ill. 11, Fig. 16).
- Nettoyez le bac à poussière de l'aspirateur à main après chaque utilisation. Retirez le bac à poussière du bloc moteur en appuyant sur le bouton pour détacher le bac (2). Nous vous recommandons de le faire au-dessus d'une poubelle (Ill. 9, Fig. 10).
- Retirez le porte-filtre (6) et le filtre (7) en les tournant dans le sens inverse des aiguilles d'une montre (Ill. 9, Fig. 11). Tapotez le filtre pour le dépoussiérer et nettoyez le porte-filtre sous l'eau courante (Ill. 9, Fig. 12). Laissez sécher toutes les pièces avant de réassembler l'appareil.
- Le nettoyage du filtre et du bac à poussière est très important, car il permet à l'appareil de fonctionner de manière optimale et évite les odeurs désagréables.
- Faites régulièrement tourner manuellement l'élément mobile de la brosse pour sol pour retirer tous corps étranger qui pourraient y être coincés (Ill. 12).
- Si l'élément mobile ne tourne pas (Ill. 13), appuyez sur le bouton sur le côté gauche de la brosse (a) et retirez le rouleau (b). (Ill. 13, Fig. 18). Enlevez la saleté coincée. Si vous utilisez des ciseaux, veillez à ne pas vous blesser ou à ne pas couper les poils de la brosse (Ill. 13, Fig. 19 & 20). Remplacez le rouleau et vérifiez s'il peut facilement tourner manuellement (Ill. 13, Fig. 21).

Remarque: après chaque utilisation, vérifiez que la brosse tourne toujours parfaitement.


DÉPANNAGE

Problème	Cause probable	Solution
L'aspirateur ne s'allume pas	L'appareil n'a pas été chargé	Veillez à ce que l'aspirateur soit chargé avant la première utilisation ou s'il n'a pas été utilisé depuis longtemps
L'aspirateur ne charge pas	Votre courant électrique n'est pas activé	Veillez à ce que le courant soit mis
	L'alimentation est endommagée	N'utilisez pas un câble endommagé. Contactez le service client.
L'aspirateur aspire moins bien	Le tuyau ou les accessoires sont bouchés	Vérifiez qu'il n'y ait pas de bouchons et retirez-les
	L'eau dans le réservoir est très sale	Changez régulièrement l'eau du réservoir, videz le réservoir après chaque utilisation
	Le filtre est endommagé	Contactez le fournisseur pour d'éventuelles pièces détachées
L'aspirateur chauffe anormalement	Le filtre est sale	Vérifiez le filtre et nettoyez-le si nécessaire
L'air d'échappement sent mauvais	Le filtre est sale	Vérifiez le filtre et nettoyez-le si nécessaire
	Le filtre n'est pas sec	Veillez à ce que le filtre soit sec avant de le replacer dans l'appareil. Remplacez l'eau si besoin.
Le témoin de batterie/ charge clignote	L'aspirateur est déchargé	Chargez l'aspirateur à fond. Les voyants se ralumeront.
La brosse ne tourne plus	La brosse est sale	Nettoyez la brosse

PROTECTION DE L'ENVIRONNEMENT – DIRECTIVE 2012/19/UE

Afin de préserver notre environnement et notre santé, l'élimination en fin de vie des appareils électriques et électroniques doit se faire selon des règles bien précises et nécessite l'implication de chacun, qu'il soit fournisseur ou utilisateur. C'est pour cette



raison que votre appareil, tel que le signale le symbole  apposé sur sa plaque signalétique ou sur l'emballage, ne doit en aucun cas être jeté dans une poubelle publique ou privée destinée aux ordures ménagères. L'utilisateur a le droit de déposer l'appareil dans des lieux publics de collecte procédant à un tri sélectif des déchets pour être soit recyclé, soit réutilisé pour d'autres applications conformément à la directive.

DÉCLARATION ERP – DIRECTIVE 1275/2008/CE

Nous, TKG Sprl/Bvba, confirmons par la présente que notre produit correspond aux exigences de la directive 1275/2008/CE. Certes, notre produit n'est pas équipé d'une fonction pour minimaliser la consommation de puissance, ce qui devrait selon la directive 1275/2008/CE mettre le produit en mode éteint ou mode veille après avoir fini sa fonction principale, mais ceci est pratiquement impossible, car cela nuirait à la fonction principale du produit si fortement que l'utilisation du produit ne serait plus possible!

C'est pourquoi dans notre mode d'emploi nous disons toujours au client de débrancher la fiche de la prise de courant dès qu'il a fini d'utiliser le produit.

La notice d'utilisation est aussi disponible en format électronique sur simple demande auprès du service après-vente (voir carte de garantie).



ESPAÑOL

CONSEJOS DE SEGURIDAD

Lea detenidamente el modo de empleo antes de utilizar el aparato, y siempre siga las medidas de seguridad y el modo de funcionamiento.

Importante : Este aparato puede ser utilizado por niños mayores de 8 años y personas con capacidades físicas reducidas, sensoriales o mentales o con falta de experiencia o conocimiento, si se les ha dado la supervisión o instrucciones relativas al uso seguro del aparato y los riesgos involucrados. Los niños no deben jugar con el aparato. La limpieza y mantenimiento del aparato no debe ser hecho por niños a menos que sean mayores de 8 años y estén supervisados. No deje de vigilar su aparato y el cable y no lo deje nunca a cargo de niños menores de 8 años o de personas no responsables cuando está enchufado a la toma de corriente o se está enfriando.

- ❑ Antes de utilizar el aparato, compruebe que el voltaje de la red eléctrica coincide con el aparato.
- ❑ Si el cable de alimentación o el aparato están perjudicados, deje de utilizarlo inmediatamente y consulte el fabricante, el servicio de atención al cliente o a una persona calificada competente (*).
- ❑ Utilice solo el cable para cargar y el adaptador de alimentación que están incluidos con el aparato para cargarlo. No utilice el adaptador de CA de otros aparatos.
- ❑ Si los cables de alimentación y/o de carga están deteriorados, se tiene que acudir al fabricante, al servicio posventa o a un especialista cualificado para reparar el aparato y de esa manera evitar cualquier riesgo.
- ❑ Utilice el aparato sólo para usos domésticos y de la manera indicada en el modo de empleo.

- ❑ No sumerja el aparato, el cable de carga o el enchufe en el agua o en otros líquidos.
- ❑ No utilice el aparato y la alimentación eléctrica cerca de superficies calientes.
- ❑ Procure no utilizar el aparato en el exterior y colóquelo en un sitio seco.
- ❑ Conviene solo para la aspiración en seco. No absorba agua u otros líquidos.
- ❑ No aspire materiales tóxicos, porque los vapores y el polvo pueden ser peligrosos para la salud.
- ❑ No utilice el aparato para aspirar mortero, cemento u otras sustancias que endurecen en contacto con agua y que podrían interferir en el funcionamiento normal del aspirador.
- ❑ No utilice el aparato sobre mascotas.
- ❑ Las chispas eléctricas en el motor pueden incendiar vapores inflamables o polvo. No utilice el aparato cerca de líquidos inflamables o explosivos (gasolina, pinturas al óleo, detergentes), de gases, de sustancias explosivas (polvo de carbón, magnesio, pólvora), de humo o de fuego.
- ❑ Utilice solo accesorios aconsejados por el proveedor. Otros accesorios pueden ser un peligro para el usuario y pueden deteriorar el aparato.
- ❑ Desenchufe siempre el adaptador de CA tirando de la toma. Nunca tire del cable para cargar.
- ❑ Elimine con cierta regularidad los tapones provocados por el pelo, los peluches u otras cosas para no perder potencia de aspiración.
- ❑ Si la potencia de succión disminuye o si el colector de polvo está lleno, limpie los filtros y vacíe el contenedor. De otra manera, el aparato podría sobrecalentar. Si eso ocurre, la garantía ya no se aplicará.

(* Servicio técnico cualificado: servicio técnico del fabricante o del importador o una persona cualificada, reconocida y habilitada a fin de evitar cualquier peligro. En cualquier caso devuelva el aparato al servicio técnico.

MONTAJE DEL ASPIRADOR

- Desembale el aparato y sus accesorios.
- Asegúrese de que todas las piezas mencionadas en este manual estén incluidas e intactas.
- Sujete con cuidado el agarradero (8) al aparato principal. Para ello, tire delicadamente del tornillo de bloqueo (9) incluido (Ill. 4, Fig. 1).
- Inserte el aspirador de mano (4) en el aparato principal. Para ello, el aparato siempre tiene que estar apagado. Asegúrese de oír un "clic" cuando inserte el aspirador de mano (Ill. 4, Fig. 3). Asegúrese de que nada quede entre los contactos del aspirador de mano (4) y el aparato principal.
- Cargue la batería en las situaciones siguientes:
 - Antes de la primera utilización; en este caso, la batería tiene que estar completamente cargada (6-8 horas).
 - Después de un largo período sin utilización. (Para una vida útil óptima, le recomendamos que cargue el aparato al menos cada tres meses.)
- Para cargar, el aspirador de mano (4) tiene que estar insertado en el aparato principal (Ill. 5, Fig. 4).
- Enchufe el adaptador de CA de la alimentación eléctrica (14) en el enchufe (Ill. 5, Fig. 5). Conecte la alimentación (14) al enchufe para el cargador (10- del aparato principal (Ill. 5, Fig. 6). Asegúrese de que los contactos sobre el cable para cargar y el aspirador estén limpios. De ser necesario, quite el cable para cargar y limpie los conectores.
- El indicador de carga (4) está rojo cuando la batería se está cargando (Ill. 5, Fig. 7) y se pone azul cuando la batería está completamente cargada.
- El cable de carga y el aspirador pueden calentarse durante la carga. Es absolutamente normal.
- Si usted utiliza el aspirador de mano durante un largo período, la batería también se puede calentar. Eso también es absolutamente normal.

Comentario: Para tener mejores resultados, se recomienda que usted cargue el aspirador después de cada utilización.

UTILIZACIÓN

- PELIGRO! No utilice el aparato cuando se está cargando.
- PELIGRO! Nunca toque las partes rotativas de la boquilla de suelo mientras funciona.
- Quite el depósito de agua (Ill. 6) utilizando primero el botón (11) y abriendo la caja del depósito de agua (12). Quite el depósito de agua (3) con el agarradero (2). Abra los broches de cierre (5) y quite la tapa (4).
- Vierta agua limpia en el depósito hasta alcanzar el límite indicado.
- Cierre la tapa (4) y ponga el depósito de agua (3) en el aparato principal.
- Apriete el interruptor encendido/apagado (1) sobre el agarradero (8) del aparato principal para encender el aparato. Utilice el interruptor ECO (2) para cambiar los niveles de velocidad.
- Apriete de nuevo el interruptor encendido/apagado (1) para apagar el aparato.
- Durante las pausas cortas, usted puede parar el aspirador inclinando el aparato levemente hacia adelante.
- Se puede utilizar la boquilla de suelo (6) para limpiar a diario los grandes espacios, los suelos duros y lisos o alfombras.

- Se puede utilizar el aspirador de mano (4) para limpiar los colchones, los sofás, las corfinas y los papeles pintados. Apriete el botón de desbloqueo (3) del aparato principal para quitar el agarradero (Ill. 7, Fig. 8). Encienda el aparato apretando el interruptor encendido/apagado (5) del aspirador de mano.
- No utilice el aspirador de mano (4) para aspirar agua u otros líquidos.

Comentario:

1. Durante la limpieza, espuma puede formarse en el depósito de agua. Eso no puede perjudicar las prestaciones del aparato.
2. NO añada detergente, jabón en polvo, lejía u otro en el depósito de agua.
3. Asegúrese de que el aspirador se encuentre en una superficie plana y antideslizante antes de soltarlo para evitar cualquier riesgo de caída o de deterioro.
4. Apague el aspirador antes de cada interrupción, para evitar que las cerdas rotativas deterioren su suelo o su moqueta.

RECOMENDACIONES BATERÍA

- Azul – Batería llena
- Azul parpadeando – Queda menos de un 20% de batería
- Rojo parpadeando – Estado de la batería: débil

LIMPIEZA Y MANTENIMIENTO

- Apague el aparato antes de limpiarlo.
- Limpie la caja del aspirador de mano y el aparato principal con un trapo suave y seco.
- Se pueden limpiar las manchas difíciles de quitar con un trapo húmedo y un poco de detergente. Luego seque bien la zona que acaba de limpiar.
- Cuando utiliza el aspirador, cambie el agua en el depósito en cuanto esté sucia. Cambie el agua después de cada utilización como máximo. Para ello, apriete el botón para desprender el depósito de agua (11) y quite el depósito de agua (Ill. 10, Fig. 13). Proceda de la misma manera que cuando rellena el depósito. Vacíe el depósito de agua y límpielo cuidadosamente con agua.
- Gire el tubo interior (6) en el sentido contrario de las agujas del reloj para quitarlo (Ill. 10, Fig. 15); usted puede también referirse a las marcas que están sobre el aparato. Limpie la tapa, el tubo, el tubo interior y el filtro de textiles permanente con agua y déjelos secar completamente antes de montarlos de nuevo y de colocar el depósito de agua.
- Ponga el aspirador horizontalmente en el suelo para desmontar la boquilla de suelo (6). Para ello, apriete simultáneamente los botones de desbloqueo (5a, 5b) (Ill. 11, Fig. 16).
- Limpie el depósito de polvo del aspirador de mano después de cada utilización. Quite el depósito de polvo del bloque del motor apretando el botón para desprender el depósito (2). Se recomienda que lo haga encima de una basura (Ill. 9, Fig. 10).
- Quite el soporte del filtro (6) y el filtro HEPA (7) girando en el sentido contrario de las agujas del reloj (Ill. 9, Fig. 11). Golpetee el filtro para quitarle el polvo y limpie el soporte del filtro con agua del grifo (Ill. 9, Fig. 12). Deje secar todas las piezas antes de montar de nuevo el aparato.
- La limpieza del filtro y del depósito de polvo es muy importante porque permite al aparato funcionar de forma óptima y evita los olores desagradables.

- Gire manualmente con cierta regularidad el elemento móvil de la boquilla de suelo para quitar cualquier cuerpo extranjero que podría quedar bloqueado (Ill. 12).
- Si el elemento móvil no gira (Ill. 13), apriete el botón que se encuentra en el lado izquierdo de la boquilla (a) y quite el rollo (b). (Ill. 13, Fig. 18). Quite la suciedad que queda bloqueada. Si usted utiliza tijeras, asegúrese de no lesionarse o de no cortar las cerdas de la boquilla (Ill. 13, Fig. 19 & 20). Coloque de nuevo el rollo y verifique si puede fácilmente girar de forma manual (Ill. 13, Fig. 21).

Comentario: después de cada utilización, asegúrese de que la boquilla siga girando perfectamente.


GUÍA DE SOLUCIÓN DE PROBLEMAS

Problemas	Razones	Soluciones
El aspirador no se enciende	El aparato no está cargado	Asegúrese de que el aspirador esté cargado antes de la primera utilización o si no ha sido utilizado desde hace mucho tiempo.
El aspirador no carga	Su red eléctrica no está activada	Asegúrese de que su red eléctrica esté activada.
	La alimentación está deteriorada	No utilice un cable deteriorado. Póngase en contacto con el servicio de atención al cliente.
El aspirador no aspira bien	El tubo o los accesorios están obstruidos	Verifique que nada obstruya el tubo o los accesorios y quítelos.
	El agua en el depósito está muy sucia	Cambie con cierta regularidad el agua del depósito y vacíe el depósito después de cada utilización.
	El filtro está deteriorado	Póngase en contacto con el proveedor para ordenar eventuales piezas de recambio.
El aspirador calienta anormalmente	El filtro está sucio	Verifique el filtro y límpielo de ser necesario.
El aire que sale del aparato huele mal	El filtro está sucio	Verifique el filtro y límpielo de ser necesario.
	El filtro no está seco	Verifique que el filtro esté seco antes de colocarlo de nuevo en el aparato. Cambie el agua de ser necesario.
La señal de batería/carga parpadea	El aspirador ya no tiene batería	Cargue el aspirador a tope. Las señales luminosas se encenderán de nuevo.
La boquilla ya no gira	La boquilla está sucia	Limpie la boquilla.

PROTECCIÓN DEL MEDIO AMBIENTE – DIRECTIVA 2012/19/UE

Para poder preservar nuestro medio ambiente y proteger la salud humana, los residuos eléctricos y equipos electrónicos deberían ser destruidos de acuerdo con unas normas específicas con la implicación de ambos proveedores y consumidores. Por esta razón,



como indica el símbolo  en la placa de datos técnicos, su aparato no debería ser tirado en un contenedor municipal sino que debería ser devuelto a la tienda, o dejado en un punto de recolección para ser reciclado o usado para otras aplicaciones conforme a la directiva.

DECLARACIÓN ERP – REGULACIÓN 1275/2008/CE

Nosotros, TKG Sprl/Bvba, la presente confirmamos que nuestro producto cumple con los requisitos del Reglamento 1275/2008/CE. Es cierto que nuestro producto no dispone de una función para minimizar el consumo de energía, lo que debería de acuerdo con la regulación 1275/2008/CE puso el producto en off o en el modo de espera después de terminar la función principal, pero esto es prácticamente imposible, ya que comprometería la función principal del producto tan fuertemente, que el uso del producto ya no sería posible!

Por esta razón siempre le decimos al cliente, en nuestro manual de instrucciones, de desenchufar el aparato inmediatamente después de haber terminado su utilización.

El manual de usuario con una simple petición está también disponible en formato electrónico desde el servicio técnico (véase la garantía).



POLSKI

ZASADY BEZPIECZNEGO UŻYTKOWANIA

Zanim zaczniesz używać urządzenie przeczytaj uważnie instrukcję i postępuj wyłącznie z jej wskazaniami.

Ważne: Urządzenie może być użytkowane przez dzieci w wieku 8 lat i więcej oraz osoby z ograniczonymi zdolnościami fizycznymi, czuciowymi lub umysłowymi, albo osoby nie mające doświadczenia i znajomości sprzętu, jeśli zastosowano nad nimi nadzór lub udzielono im instrukcji dotyczących bezpiecznego użytkowania urządzenia i związanych z tym niebezpieczeństw. Dzieci nie powinny bawić się tym urządzeniem. Czyszczenie i konserwacja przez użytkownika nie powinny być wykonywane przez dzieci, chyba że mają one więcej niż 8 lat i są pod nadzorem. Nie zostawiaj włączonego urządzenia wraz z przewodem bez nadzoru, trzymaj z dala od dzieci poniżej 8 roku życia i osób niepowołanych kiedy jest podłączone do sieci lub się chłodzi.

- Przed użyciem, sprawdź, czy napięcie sieciowe odpowiada napięciu wskazanemu na urządzeniu.
- W przypadku uszkodzenia przewodu zasilającego lub urządzenia należy natychmiast zaprzestać korzystania z urządzenia i zasięgnąć porady producenta, jego przedstawiciela serwisowego lub osoby o podobnych kwalifikacjach (*).
-
- Do ładowania urządzenia używaj tylko dołączonego do zestawu kabla ładującego i zasilacza. Nie używaj zasilacza przeznaczonego do innych urządzeń.
- Jeśli kabel zasilający i / lub ładujący są uszkodzone, muszą zostać naprawione przez producenta, obsługę klienta lub wykwalifikowanego specjalistę, aby uniknąć ewentualnego zagrożenia.

- Używaj urządzenia tylko do celów domowych, jak opisano w tej instrukcji.
- Nigdy nie zanurzaj urządzenia, kabla ładującego lub wtyczki sieciowej w wodzie lub innych płynach.
- Nigdy nie używaj urządzenia w pobliżu gorących powierzchni.
- Nigdy nie używaj urządzenia na zewnątrz. Zawsze przechowuj je w suchym miejscu.
- Urządzenie jest odpowiednie tylko do odkurzania na sucho. Nigdy nie odkurzaj wody ani innych płynów.
- Nigdy nie odkurzaj materiałów toksycznych, ponieważ opary i pyły mogą być niebezpieczne dla zdrowia.
- Nigdy nie używaj urządzenia do odkurzania zaprawy, cementu lub innych substancji, które twardnieją w zetknięciu z wodą i mogą zakłócać normalną pracę odkurzacza.
- Nie używaj urządzenia na zwierzętach domowych.
- Iskry wewnątrz silnika mogą zapalić łatwopalne opary lub pył. Nigdy nie używaj odkurzacza w pobliżu łatwopalnych lub wybuchowych cieczy (takich jak benzyna, farby olejne, detergenty), w pobliżu gazów, substancji wybuchowych (takich jak pył węglowy, magnez, proch strzelniczy), dymu lub ognia.
- Używaj tylko akcesoriów zalecanych przez dostawcę. Inne akcesoria stanowią zagrożenie dla użytkownika i mogą uszkodzić urządzenie.
- Zawsze odłączaj zasilacz sieciowy od gniazda ściennego, ciągnąc za wtyczkę. Nigdy nie ciągnij za kabel.
- Regularnie usuwaj blokady spowodowane przez włosy, pył itp., aby nie zmniejszyć siły ssania.
- Jeśli moc ssania spadnie lub jeśli pojemnik na kurz jest pełny, wyczyść filtry i opróżnij pojemnik. W przeciwnym razie urządzenie może się przegrzać. W takim przypadku gwarancja przestanie obowiązywać.

(*) Wykwalifikowany elektryk: Osoba wskazana przez dział sprzedaży producenta lub importera lub każda osoba posiadająca niezbędne kwalifikacje umożliwiające dokonywanie tego typu napraw bez stwarzania zagrożenia. W każdym przypadku urządzenie należy przekazywać tym osobom.

MONTAŻ ODKURZACZA

Rozpakuj urządzenie i wszystkie akcesoria.

- Upewnij się, że wszystkie części wymienione w instrukcji są obecne i nieuszkodzone.
- Ostrożnie zabezpieczyć uchwyt (8) na urządzeniu głównym. W tym celu ostrożnie pociągnij dostarczoną śrubę blokującą (9) (Rys. 4, Rys. 1).
- Włóż odkurzacz ręczny (4) do jednostki głównej. W tym celu urządzenie musi zawsze być wyłączone. Zwróć uwagę na dźwięk "kliknięcia" podczas wciskania (Rys. 4, ryc. 3). Upewnij się, że pomiędzy odkurzaczem ręcznym (4) a jednostką główną nie ma żadnych substancji, śmieci itp.
- Naładuj baterię w następujących sytuacjach:
 - Przed pierwszym użyciem; w takim przypadku bateria musi być w pełni naładowana (6-8 godzin).
 - Po długim okresie bez użycia. (Aby zapewnić optymalną żywotność baterii, zalecamy ładowanie urządzenia co najmniej raz na trzy miesiące.)
- Aby załadować odkurzacz ręczny (4) musi być on włożony do jednostki głównej (Rys. 5, Rys. 4).
- Podłącz zasilacz sieciowy kabla ładującego (14) do gniazda (rys. 5, rys. 5). Podłącz kabel ładujący (14) do portu ładowania (10) głównego urządzenia (rys. 5, rys. 6). Upewnij się, że styki kabla ładowania i odkurzacza są czyste. W razie potrzeby odłącz kabel ładujący i wyczyść złącza.
- Wskaźnik naładowania (4) świeci na czerwono podczas ładowania akumulatora (rys. 5, rys. 7) i zmienia kolor na niebieski, gdy bateria jest w pełni naładowana.
- Zarówno kabel ładowarki, jak i odkurzacz mogą się nagrzewać podczas ładowania. Jest to całkowicie normalne.
- Jeśli używasz odkurzacza ręcznego przez dłuższy czas, akumulator może się nagrzać. Jest to również całkowicie normalne.

Uwaga: Aby uzyskać najlepszą wydajność, zalecane jest ładowanie odkurzacza po każdym użyciu.

UŻYCIE

- **NIEBEZPIECZEŃSTWO!** Nie używaj produktu podczas ładowania.
- **NIEBEZPIECZEŃSTWO!** Nigdy nie dotykaj obracających się części szczotki podłogowej podczas pracy.
- Wyjmij zbiornik na wodę (Rys. 6). Najpierw wciśnij przycisk (11) i otwórz obudowę zbiornika na wodę (12). Wyjmij zbiornik na wodę (3) za pomocą uchwytu (2). Otwórz zatrzaski blokujące (5) i zdejmij pokrywę (4).
- Wlej czystą wodę do pojemnika, do oznaczenia.
- Zamknij pokrywę (4) i włóż pojemnik (3) do obudowy.
- Naciśnij włącznik (1) na ręczce (8) jednostki głównej, aby włączyć urządzenie. Użyj przełącznika ECO (2), aby zmienić poziomy prędkości.
- Naciśnij włącznik (1), aby wyłączyć urządzenie.
- Podczas krótkich przerw możesz zatrzymać odkurzacz, lekko przechylając urządzenie do przodu.
- Szczotka podłogowa nadaje się do codziennego czyszczenia większych powierzchni, twardych i gładkich podłóg lub dywanów.
- Odkurzacz ręczny nadaje się do materacy, sof, zastół i tapet. Naciśnij przycisk zwalnający (3) na jednostce głównej, aby wyjąć uchwyt (4) (rys. 7, rys. 8). Włączyć urządzenie, naciskając włącznik / wyłącznik (5) na odkurzacz ręcznym.
- Nigdy nie używaj odkurzacza ręcznego do odkurzania wody lub innych płynów.

Uwaga:

1. Podczas czyszczenia w zbiorniku wody może tworzyć się piany. Lekkie pienienie nie ma wpływu na wydajność odkurzacza.
2. NIE DODAWAJ do wody detergentów, mydeł, wybielaczy itp.
3. Przed odłożeniem odkurzacza upewnij się, że znajduje się on na równej, antypoślizgowej powierzchni, aby zapobiec jego przewróceniu się i możliwemu uszkodzeniu urządzenia lub podłogi.
4. Wyłącz odkurzacza przed każdym pozostawieniem go w jednym miejscu na dłużej, w przeciwnym razie obracające się włosie może trwale uszkodzić podłogę (dywan).

OSTRZEŻENIE: BATERIA

- Niebieski - pełna bateria
- Migający niebieski - pozostało mniej niż 20% energii
- Migające czerwone światło - niski stan naładowania akumulatora

CZYSZCZENIE

- Wyłącz urządzenie przed każdym czyszczeniem.
- Przetrzyj obudowę odkurzacza ręcznego i głównego urządzenia miękką, suchą ściereczką.
- Trwałe plamy można usunąć wilgotną szmatką i detergentem. Wyszuszyć całkowicie oczyszczony obszar.
- Zmieniaj wodę w zbiorniku zaraz po jej zabrudzeniu, co najmniej po każdym użyciu. Aby to zrobić, naciśnij przycisk zwalniający (11) i wyjmij zbiornik wody (rys. 10, rys. 13). Postępuj tak, jak przy napełnianiu zbiornika wody. Opróżnij zbiornik wody i dokładnie wyczyść go wodą.
- Obróć wewnętrzną rurkę (6) w kierunku przeciwnym do ruchu wskazówek zegara, aby ją wyjąć (rys. 10, rys. 15); możesz również odwołać się do oznaczenia. Oczyszczyć pokrywę, rurkę wewnętrzną i filtr tekstylny czystą wodą i pozostaw wszystko do dokładnego wyschnięcia, przed ponownym montażem i zainstalowaniem zbiornika na wodę.
- Połóż odkurzacza płasko na podłodze, aby zdemonstrować szczotkę podłogową (6). Aby to zrobić, naciśnij jednocześnie przyciski zwalniające (5a, 5b) (rys. 11, rys. 16).
- Po każdym użyciu wyczyść pojemnik na kurz odkurzacza ręcznego. Usuń pojemnik na kurz naciskając przycisk zwalniający (2). Zalecamy to zrobić nad koszem na śmieci (Rys. 9, Rys. 10).
- Zdejmij uchwyt filtra (6) i wkład filtra (7), przekręcając go w kierunku przeciwnym do ruchu wskazówek zegara (rys. 9, Rys. 11). Poklepuj filtr i wyczyść uchwyt filtra pod bieżącą wodą. Wszystkie elementy muszą wyschnąć przed ponownym montażem.
- Czyszczenie filtra i pojemnika na kurz jest bardzo ważne, ponieważ pozwala ono na optymalną pracę urządzenia i eliminuje nieprzyjemne zapachy.
- Obracaj ręcznie ruchomy element szczotki podłogowej, aby usunąć wszelkie obce przedmioty, które mogą się zablokować (Rys. 12).
- Jeśli element ruchomy się nie obraca (rys. 13), odciągnij przetącznik po lewej stronie szczotki (a) i wyjmij rolkę (b). (Rys. 13, rys. 18). Usuń brud. Jeśli to konieczne, użyj nożyczek, uważając, aby się nie zranić lub nie przyciąć szczotek (Rys. 13, Rys. 19 i 20). Włóż ponownie watek i sprawdź, czy można go łatwo przesunąć ręcznie (Rys. 21, Rys. 21)


Uwaga: Po każdym użyciu sprawdź, czy szczotka płynie się obraca.

ROZWIĄZYWANIE PROBLEMÓW

Problem	Możliwa przyczyna	Rozwiązanie
Odkurzacze się nie włącza	Odkurzacze jest rozładowany	Upewnij się, że odkurzacze został całkowicie naładowany przed pierwszym użyciem lub po dłuższej przerwie w użyciu
Odkurzacze nie ładuje się	Włącznik zasilania nie jest włączony	Upewnij się, że włącznik zasilania głównego źródła zasilania jest włączony
	Przewód jest uszkodzony	Nie używaj uszkodzonego przewodu zasilającego. Skontaktuj się z centrum obsługi klienta
Moc ssania maleje	Narzędzia szczelinowe lub wąż przedłużający mogą być zablokowane	Sprawdź wszelkie blokady i usuń je
	Woda w zbiorniku jest bardzo brudna	Regularnie wymieniaj wodę w zbiorniku czystą wodą i opróżnij zbiornik po każdym użyciu
	Filtry są brudne	Skontaktuj się z dostawcą w sprawie części zamiennych
Odkurzacze się przegrzewa	Filtr jest brudny	Sprawdź filtr i usuń wszelkie zabrudzenia
Powietrze wychodzące z odkurzacza brzydko pachnie	Filtr jest brudny	Sprawdź filtr i usuń wszelkie zabrudzenia
	Filtr nie został dokładnie wysuszony	Upewnij się, że filtr jest suchy przed włożeniem go z powrotem do odkurzacza ręcznego. W razie potrzeby wymień wodę na czystą wodę.
Wskaźnik baterii / ładowania miga	Odkurzacze jest na skraju rozładowania	Ponownie naładuj odkurzacze do pełnej pojemności. Światło przestanie migać.
Włosie szczotki się nie obraca	Szczotka jest zabrudzona	Wyczyść szczotkę

OCHRONA ŚRODOWISKA



Symbol  umieszczony na produktach lub dołączonej do nich dokumentacji informuje, że niesprawnych urządzeń elektrycznych lub elektronicznych nie można wyrzucać razem z pozostałymi odpadami bytowymi. Prawidłowe postępowanie w razie konieczności utylizacji, wtórnego wykorzystania lub odzysku podzespołów polega na przekazaniu urządzenia do wyspecjalizowanego punktu zbiórki, lub lokalnych punktów sprzedaży tego rodzaju urządzeń, podczas zakupu podobnego nowego urządzenia, gdzie będzie przyjęte bezpłatnie. Informacji o sposobie utylizacji, o lokalizacji miejsc zbiórki zużytego sprzętu udzielają władze lokalne np. na swoich stronach internetowych. Prawidłowa utylizacja urządzenia umożliwi zachowanie cennych zasobów i uniknięcie negatywnego wpływu na zdrowie i środowisko, które może być zagrożone przez nieodpowiednie postępowanie z odpadami. Nieprawidłowa utylizacja odpadów zagrożona jest karami przewidzianymi w odpowiednich przepisach lokalnych.

DEKLARACJA ERP – ROZPORZĄDZENIE KOMISJI (WE) NR 1275/2008

My, TKG Sprl / Bvba, niniejszym potwierdzamy, że nasz produkt spełnia wymagania rozporządzenia 1275/2008 / WE. Wprowadzicie nasz produkt nie posiada funkcji minimalizującej zużycie energii, która zgodnie z rozporządzeniem 1275/2008 / WE powinna wyłączyć produkt lub stan gotowości po zakończeniu głównej funkcji, ale wprowadzenie takiej funkcji mogłoby spowodować, że używanie produktu nie byłoby już możliwe!

Z tego powodu zawsze informujemy klienta w naszej instrukcji obsługi, aby odłączyć urządzenie natychmiast po użyciu.

Na prośbę Klienta, instrukcja obsługi jest również dostępna w formie elektronicznej w ramach obsługi posprzedażowej (zobacz karta gwarancyjna).



NEDERLANDS

BELANGRIJKE VEILIGHEIDSVOORSCHRIFTEN

Lees de gebruiksaanwijzing aandachtig alvorens u uw toestel gebruikt, en respecteer altijd de veiligheids- en de gebruiksvoorschriften.

Belangrijk : Het toestel mag worden gebruikt door kinderen van meer dan 8 jaar oud en door personen met beperkte fysieke, sensorische of mentale capaciteiten of met een gebrek aan ervaring of kennis als ze onder toezicht staan of vooraf instructies hebben gekregen betreffende een veilig gebruik van het toestel en de risico's die ermee gepaard gaan. Kinderen mogen in geen geval met het toestel spelen. Schoonmaak en onderhoud mogen niet worden uitgevoerd door kinderen, tenzij ze 8 jaar of ouder zijn en onder toezicht staan. Laat uw toestel en zijn snoer nooit zonder toezicht en binnen het bereik van kinderen jonger dan 8 jaar of van ontoerekeningsvatbare personen wanneer het onder spanning staat of wanneer het aan het afkoelen is.

- ❑ Controleer voor gebruik of de netspanning overeenkomt met de spanning aangegeven op het apparaat.
- ❑ Als het laadkabel of het apparaat beschadigd is, stop dan onmiddellijk met het gebruik van het apparaat en vraag advies aan de fabrikant, zijn serviceagent of een vergelijkbare gekwalificeerde persoon (*).
- ❑ Gebruik alleen de meegeleverde laadkabel en voedingsadapter om het apparaat op te laden. Gebruik de voedingsadapter niet met andere apparaten.
- ❑ Als de stroom- en / of laadkabels beschadigd zijn, moeten ze worden hersteld door de fabrikant, de klantenservice of een gekwalificeerde specialist om elk gevaar te voorkomen.
- ❑ Gebruik het apparaat alleen voor huishoudelijke doeleinden, zoals beschreven in deze handleiding.

- Dompel het apparaat, de laadkabel of de stekker niet onder in water of andere vloeistoffen.
- Gebruik het apparaat en de voedingsadapter niet in de buurt van hete oppervlakken.
- Gebruik het apparaat niet buitenshuis en berg het altijd op een droge plaats op.
- Alleen geschikt voor droogzuigen. Geen water of andere vloeistoffen opzuigen.
- Zuig geen giftige materialen op, het kan gevaarlijk zijn voor uw gezondheid.
- Gebruik het apparaat niet voor het opzuigen van cement of andere stoffen die uitharden bij contact met water en de normale werking van de stofzuiger kunnen verstoren.
- Gebruik het apparaat niet op huisdieren.
- Vonken in de motor kunnen ontvlambare dampen of stof doen ontbranden. Gebruik niet in de buurt van ontvlambare of explosieve vloeistoffen (benzine, olieverf, detergents), gas, explosieve stoffen (kolenstof, magnesium, buskruit), rook of vuur.
- Gebruik alleen de accessoires die door de leverancier worden aanbevolen. Andere accessoires vormen een gevaar voor de gebruiker en kunnen het apparaat beschadigen.
- Trek altijd de stekker van de voedingsadapter uit het stopcontact. Trek nooit aan de laadkabel.
- Verwijder regelmatig opstoppingen veroorzaakt door haren, pluïjsjes en dergelijke om geen zuigkracht te verliezen.
- Als de zuigkracht afneemt of als de stofafscheider vol is, reinigt u de filters en maakt u de container leeg. Anders kan het apparaat oververhit raken. Als dit gebeurt, is de garantie niet meer van toepassing.

(* Bekwame gekwalificeerde dienst: klantendienst van de fabrikant of de invoerder, die erkend en bevoegd is om dergelijke herstellingen te doen zodat elk gevaar vermeden wordt. Gelieve het toestel bij problemen naar deze dienst terug te brengen.

MONTAGE VAN DE STOFZUIGER

- Pak het apparaat en alle accessoires uit.
- Zorg ervoor dat alle onderdelen die in de handleiding worden genoemd aanwezig en intact zijn.
- Bevestig de handvat (8) voorzichtig aan het hoofdtoestel. Trek hiervoor voorzichtig aan de meegeleverde fixatieschroef (Ill. 4, Fig. 1).
- Steek de handstofzuiger (4) in het hoofdtoestel. Hiervoor moet het apparaat altijd uitgeschakeld zijn. Zorg ervoor dat u de 'klik' hoort bij het invoegen (Ill. 4, Fig. 3). Zorg ervoor dat er niets tussen de contacten van de handstofzuiger (4) en het hoofdtoestel zit.
- Laad de batterij op in de volgende situaties:
 - Vóór het eerste gebruik; in dit geval moet de batterij volledig worden opgeladen (6-8 uur).
 - Na een lange periode zonder gebruik. (Voor een optimale levensduur raden we aan het apparaat minstens elke drie maanden op te laden.)
- Om op te laden, moet de handstofzuiger (4) zich in het hoofdtoestel bevinden (Ill. 5, Fig. 4).
- Steek de stekker van de voedingsadapter (14) in een stopcontact (Ill. 5, Fig. 5). Sluit de voedingsadapter (14) aan op de aansluiting (10) van het hoofdtoestel (Ill. 5, Fig. 6). Zorg ervoor dat de contacten op de laadkabel en de stofzuiger schoon zijn. Verwijder indien nodig de laadkabel en reinig de connectoren.
- De laadindicator (4) is rood als de batterij wordt opgeladen (Ill. 5, Fig. 7) en wordt blauw als de batterij volledig is opgeladen.
- De laadkabel en de stofzuiger kunnen tijdens het opladen heet worden. Het is volkomen normaal.
- Als u de handstofzuiger lange tijd gebruikt, kan de batterij ook heet worden. Het is ook volkomen normaal.

Opmerking: voor de beste prestaties wordt het aanbevolen de stofzuiger na elk gebruik op te laden.

GEBRUIK

- Gebruik het product niet tijdens het opladen.
- Raak nooit de draaiende delen van de vloerborstel aan tijdens gebruik.
- Verwijder de watertank (Ill. 6) door eerst op de knop (11) te drukken en de behuizing van de watertank (12) te openen. Verwijder de watertank (3) met behulp van de handvat (2). Open de vergrendelklemmen (5) en verwijder het deksel (4).
- Giet schoon water in de tank totdat u het merkteken bereikt.
- Sluit het deksel (4) en plaats de watertank (3) terug in het hoofdtoestel.
- Druk op de aan / uit-schakelaar (1) op de handvat (8) op het hoofdtoestel om het apparaat in te schakelen. Gebruik de ECO-schakelaar (2) om de snelheidsniveaus te wijzigen.
- Druk nogmaals op de aan / uit-knop (1) om het apparaat uit te schakelen.
- Tijdens korte pauzes kunt u de stofzuiger stoppen door het apparaat iets naar voren te kantelen.
- De vloerborstel is geschikt voor de dagelijkse reiniging van grote oppervlakken, harde en gladde vloeren of tapijten.

- De handstofzuiger is geschikt voor matrassen, zetels, gordijnen en behang. Druk op de ontgrendelingsknop (3) op het hoofdtoestel om de handvat (4) te verwijderen (Ill. 7, Fig. 8). Schakel het apparaat in door op de aan / uit-schakelaar (5) op de handstofzuiger te drukken.
- Gebruik de handstofzuiger niet om water of andere vloeistoffen op te zuigen.

Let op:

1. Tijdens het gebruik kan zich schuim vormen in de watertank. De prestaties van het apparaat worden daar niet door beïnvloed.
2. Voeg GEEN wasmiddel, zeepoeder, bleekmiddel en dergelijke toe aan het waterreservoir.
3. Zorg ervoor dat de stofzuiger op een vlak, antislip oppervlak staat voordat u hem loslaat om te voorkomen dat hij valt en schade aan het toestel en de vloer veroorzaakt.
4. Schakel vóór elke stop de stofzuiger uit om te voorkomen dat de draaiende borstel uw vloer / tapijt beschadigt.

BATTERIJ

- Blauw - Volle batterij
- Knipperend blauw - Minder dan 20% resterende batterij
- Knipperend rood - Bijna lege batterij

REINIGING EN ONDERHOUD

- Schakel het apparaat uit voor elke reiniging.
- Veeg de behuizing van de handstofzuiger en de hoofdeenheid met een zachte, droge doek.
- Hardnekkige vlekken kunnen worden verwijderd met een vochtige doek en wat afwasmiddel. Droog het schoongemaakte gebied flink achteraf.
- Ververs bij het gebruik van de stofzuiger het water in de tank zodra deze vuil is. Ververs het water uiterlijk na elk gebruik. Om dit te doen, druk op de knop om de watertank (11) los te maken en verwijder de watertank (Ill. 10, Fig. 13). Ga verder als voor het vullen van de tank. Maak het waterreservoir leeg en reinig het grondig met water.
- Draai de binnenbuis (6) tegen de klok in om hem te verwijderen (Ill. 10, Fig. 15); u kunt ook verwijzen naar de markering op het apparaat. Reinig het deksel, de buis, de binnenbuis en het stoffilter met schoon water en laat alles volledig drogen voordat u de watertank weer in elkaar zet en installeert.
- Plaats de stofzuiger plat op de grond om de vloerborstel (6) te verwijderen. Druk hiervoor tegelijkertijd op de ontgrendelknoppen (5a, 5b) (Ill. 11, fig. 16).
- Reinig de stofcontainer van de handstofzuiger na elk gebruik. Verwijder de stofcontainer uit het motorblok door op de knop te drukken om de container te verwijderen (2). We raden u aan om het boven een vuilnisbak te doen (Fig. 9, Fig. 10).
- Verwijder de filterhouder (6) en het filter (7) door ze linksom te draaien (Fig. 9, Fig. 11). Tik op het filter om stof te verwijderen en houd de filterhouder onder stromend water om die te reinigen (Ill. 9, fig. 12). Laat alle onderdelen opdrogen voordat u het apparaat weer in elkaar zet.
- Het reinigen van het filter en de stofcontainer is erg belangrijk zodat het apparaat optimaal blijft werken en het voorkomt onaangename geurtjes.
- Draai het bewegende deel van de vloerborstel regelmatig met de hand om eventuele vreemde voorwerpen die vastzitten te verwijderen (Ill. 12).

- Als het bewegende element niet draait (Ill. 13), druk op de knop aan de linkerkant van de borstel (a) en verwijder de roller (b). (Ill. 13, Fig. 18). Verwijder vast vuil. Als u een schaar gebruikt, zorg er dan voor dat u zich niet verwondt of de borstelharen snijdt (Ill. 13, Fig. 19 en 20). Zet de rol terug op zijn plaats en controleer of deze gemakkelijk met de hand draait (Ill. 13, Fig. 21).

Opmerking: Controleer na elk gebruik of de borstel nog steeds perfect draait.


PROBLEEMOPLOSSING

Probleem	Waarschijnlijke oorzaak	Oplossing
De stofzuiger gaat niet aan	Het apparaat werd niet opgeladen	Zorg ervoor dat de stofzuiger is opgeladen voor het eerste gebruik of als deze gedurende lange tijd niet is gebruikt
De stofzuiger laadt niet op	Uw stroom is niet ingeschakeld	Zorg dat de stroom is ingeschakeld
	De voedingsadapter is beschadigd	Gebruik geen beschadigde kabel. Neem contact op met de klantenservice.
De stofzuiger zuigt minder goed op	De accessoires of de buis zijn verstopt	Controleer de accessoires en ontstop die indien nodig
	Het water in de tank is vuil	Ververs het water in de tank regelmatig, leeg de tank na elk gebruik
	Het filter is beschadigd	Neem contact op met de leverancier voor eventuele reserveonderdelen
De stofzuiger warmt abnormaal op	Het filter is vuil	Controleer het filter en maak het schoon indien nodig
Afvoertucht ruikt vies	Het filter is vuil	Controleer het filter en maak het schoon indien nodig
	Het filter is niet droog	Controleer of het filter droog is voordat u het in het apparaat terugplaatst. Ververs het water indien nodig.
De batterij/laadindicator knippert	De stofzuiger is ontladen	Laad de stofzuiger volledig op. De lampjes gaan weer branden.
De borstel draait niet.	De borstel is vuil.	Reinig de borstel.

MILIEUBESCHERMING – RICHTLIJN 2012/19/EU

Om ons milieu en onze gezondheid te beschermen, moet afgedankte elektrische en elektronische apparatuur in overeenstemming met welbepaalde regels weggegooid worden. Dit vergt zowel de inzet van de leveranciers als van de gebruikers. Daarom mag uw apparaat, zoals op het typeplaatje of op de verpakking aangegeven door het



symbool , niet met het gewone huisvuil weggegooid worden. De gebruiker heeft het recht het toestel naar een gemeentelijk centrum van gescheiden inzameling te brengen waar het overeenkomstig de richtlijn hergebruikt, gerecycleerd of voor andere doeleinden gebruikt zal worden.

ERP VERKLARING - VERORDENING 1275/2008/EC

Wij, TKG Sprl/Bvba, bevestigen hierbij dat ons product voldoet aan de vereisten van Verordening 1275/2008 / EG. Toegegeven, ons product beschikt niet over een functie om het stroomverbruik te minimaliseren, wat volgens verordening 1275/2008 / EG het product in de uitstand of de standby-modus zou moeten zetten na het beëindigen van de hoofdfunctie, maar dit is praktisch onmogelijk omdat het een compromis zou vormen de belangrijkste functie van het product zo sterk, dat het gebruik van het product niet langer mogelijk zou zijn!

Om deze reden vertellen we de klant altijd in onze handleiding om het apparaat onmiddellijk na gebruik los te koppelen.

De handleiding is op simpele aanvraag ook verkrijgbaar in elektronisch formaat bij de klantendienst (zie garantiekaart).



SLOVENSKÝ

DÔLEŽITÉ BEZPEČNOSTNÉ UPOZORNENIA

Pred používaním zariadenia si pozorne prečítajte tieto pokyny, a vždy dodržujte bezpečnostné a prevádzkové pokyny v návode.

Dôležité : Osoby (vrátane detí nad 8 rokov), ktoré nie sú schopné používať zariadenie bezpečným spôsobom kvôli fyzickým, zmyslovým alebo duševným schopnostiam alebo kvôli nedostatku skúseností alebo vedomostí, nesmú nikdy používať toto zariadenie, ak nie sú pod dohľadom osoby zodpovednej za ich bezpečnosť alebo ak predtým nedostali pokyny týkajúce sa bezpečného používania zariadenia.

Na deti je potrebné dôsledne dohliadať, aby nepoužívali toto zariadenie ako hračku. Čistenie a údržbu prístroja nesmú vykonávať deti, jedine ak dosiahli 8 rokov a sú pod dozorom dospeléj osoby. Nikdy nenechávajte spotrebič jeho el. kábel bez dozoru a v dosahu detí mladších ako 8 rokov alebo nezodpovedných osôb, hlavne ak je prístroj zapojený na sieť, či sa chladí.

- ❑ Pred použitím skontrolujte, či sa sieťové napätie zhoduje s napätím uvedeným na prístroji.
- ❑ Na nabíjanie spotrebiča používajte iba dodaný nabíjací kábel a sieťový adaptér. Nepoužívajte napájací adaptér s inými zariadeniami.
- ❑ If the charging cable or device is damaged, stop using the device immediately and seek advice from the manufacturer, its service agent or a similarly qualified person (*).Spotrebič používajte iba na použitie v domácnosti, ako je opísané v tomto návode.
- ❑ Nikdy neponárajte prístroj, nabíjací kábel ani zástrčku do vody alebo iných tekutín.
- ❑ Nikdy nepoužívajte prístroj a napájanie v blízkosti horúcich povrchov.

- Nikdy nepoužívajte prístroj vonku a vždy ho skladujte na suchom mieste.
- Vhodné len na suché vysávanie. Nikdy nevysávajte vodu ani iné tekutiny.
- Nikdy nevysávajte toxické materiály, pretože výpary a prach môžu byť nebezpečné pre vaše zdravie.
- Nikdy nepoužívajte zariadenie na vysávanie malty, cementu alebo iných látok, ktoré stvrdnú pri kontakte s vodou a môžu narušiť normálnu prevádzku vysávača.
- Nepoužívajte prístroj na domáce zvieratá.
- Iskry v motore môžu zapáliť horľavé pary alebo prach. Nikdy ho nepoužívajte v blízkosti horľavých alebo výbušných kvapalín (ako sú benzín, olejové farby, čistiace prostriedky), v blízkosti plynov, výbušných látok (ako je uhoľný prach, horčík, strelný prach), zdrojov dymu alebo ohňa.
- Používajte iba príslušenstvo odporúčané dodávateľom. Iné doplnky predstavujú nebezpečenstvo pre používateľa a môžu poškodiť zariadenie.
- Sieťový adaptér vždy odpojte zo sieťovej zásuvky ťahom za samotnú zástrčku. Nikdy neťahajte za nabíjací kábel.
- Pravidelne odstraňujte upchania spôsobené vlasmi, páperím, prachom a podobne, aby sa neznížila sacia sila.
- Ak sací výkon poklesne alebo je zberač prachu plný, vyčistite filtre a vyprázdňte nádobu. Inak by sa zariadenie mohlo prehriať. Ak sa tak stane, záruka prestane platiť.

(*) Kompetentný kvalifikovaný servis: zákaznícky servis výrobcu alebo dovozcu, ktorý je uznaný a oprávnený vykonávať také opravy, aby sa zabránilo riziku. V prípade problémov vráťte zariadenie do tejto služby.

MONTÁŽ VYSÁVAČA

- Rozbalte zariadenie a všetko príslušenstvo.
- Skontrolujte, či sú všetky súčasti uvedené v návode v balení a nepoškodené.
- Rukoväť (8) opatrne pripevnite k hlavnej jednotke. Za týmto účelom opatrne potiahnite zaisťovaciu skrutku (9) (obr. 4, obr. 1).
- Vložte ručný vysávač (4) do hlavnej jednotky. Pri skadaní musí byť zariadenie vždy vypnuté. Pri zaskočení dávajte pozor na zvuk „kliknutia“ (obr. 4, obr. 3). Skontrolujte, či medzi kontaktmi ručného vysávača (4) a hlavnej jednotky nie sú žiadne látky.
- Batériu nabíjajte v nasledujúcich situáciách:
 - Pred prvým použitím; v tomto prípade musí byť batéria úplne nabitá (6 - 8 hodín).
 - Po dlhom období bez použitia. (Pre optimálnu výdrž batérie vám odporúčame zariadenie nabíjať najmenej každé tri mesiace).
- Ručný vysávač (4) musíte vložiť do hlavnej jednotky (obr. 5, obr. 4).
- Sieťový adaptér nabíjacieho kábla (14) zapojte do zásuvky (obr. 5, obr. 5). Nabíjací kábel (14) zapojte do nabíjacieho portu (10) hlavnej jednotky (obr. 5, obr. 6). Skontrolujte, či sú kontakty na nabíjacom kábli a vysávači čisté. V prípade potreby odpojte nabíjací kábel a vyčistite konektory.
- Indikátor nabíjania (4) počas nabíjania batérie svieti načerveno (obr. 5, obr. 7) a po úplnom nabití batérie zmení farbu na modrú.
- Nabíjací kábel aj vysávač sa môžu počas nabíjania mierne zahriať. Je to úplne normálne.
- Ak ručný vysávač používate dlhší čas, môžu sa tu zahriať aj batérie. To je tiež úplne bežné.

Poznámka: Aby ste dosiahli najlepší výkon, odporúča sa nabíjať vysávač po každom použití.

POUŽÍVANIE

- Nepoužívajte výrobok počas nabíjania.
- Počas prevádzky sa nikdy nedotýkajte rotujúcich častí podlahovej kefy.
- Najskôr pomocou spínača (11) a otvorením krytu nádrže na vodu (12) vyberte nádrž na vodu (obr. 6). Pomocou rukoväte (2) vyberte nádrž na vodu (3). Otvorte poistné spony (5) a odoberte veko (4).
- Nalejte čistú vodu do nádrže až po značku.
- Znovu zatvorte veko (4) a vložte zásobník vody (3) späť do hlavnej jednotky.
- Zapnite prístroj stlačením vypínača (1) na rukoväti (8) hlavnej jednotky. Použite prepínač ECO (2) na zmenu úrovne rýchlosti.
- Opätovným stlačením vypínača (1) vypnite spotrebič.
- Počas krátkych prestávok môžete vysávač zastaviť naklonením prístroja mierne dopredu.
- Podlahová kefa je vhodná na každodenné čistenie väčších povrchov, tvrdých a hladkých podláh alebo kobercov.
- Ručný vysávač je vhodný na matrace, pohovky, záclony a tapety. Stlačením uvoľňovacieho tlačidla (3) na hlavnej jednotke vyberte rukoväť (4) (obr. 7, obr. 8). Zapnite prístroj stlačením vypínača (5) na ručnom vysávači.
- Nikdy nepoužívajte ručný vysávač na vysávanie vody alebo iných tekutín.

Poznámky:

1. Počas čistenia sa v nádrži na vodu môže vytvoriť pena. Výkon zariadenia nie je ovplyvnený miernym penením.
2. Pracie prostriedky, mydlo, bieliadlá a podobne, sa nesmú pridávať do nádrže na vodu.
3. Pred odložením vysávača sa uistite, že je na rovnom a nekľavom povrchu, aby nedošlo k jeho prevrhnutiu a nespôsobeniu možného poškodenia jednotky alebo podlahy.
4. Vždy po použití riadne vypnite vysávač, pretože rotujúce štetiny môžu trvalo poškodiť vašu podlahu (koberec).

KONTROLA STAVU BATÉRIE

- Modrá - batéria je plná
- Bliká modrá - Zostáva menej ako 20% batérie
- Bliká červená – Slabá batéria

ČISTENIE A STAROSTLIVOSŤ

- Pred každým čistením spotrebič vypnite.
- Kryt ručného vysávača a hlavnej jednotky utrite mäkkou suchou handričkou.
- Pretrvávajúce škvrny je možné odstrániť vlhkou handričkou a čistiacim prostriedkom. Vyčistené miesto potom dôkladne vysušte.
- Počas používania vysávača pravidelne vymieňajte vodu v nádrži, akonáhle je znečistená a najneskôr po každom použití. Stlačte prepínač (11) a vyberte zásobník vody (obr. 10, obr. 13). Postupujte ako pri plnení nádrže na vodu. Vyprázdniť nádrž na vodu a dôkladne ju vyčistite vodou.
- Otočte vnútornú trubicu (6) proti smeru hodinových ručičiek a vyberte ju (obr. 10, obr. 15). Pred zložením a inštaláciou nádrže na vodu očistite veko, hadičku, vnútornú hadicu a textilný filter čistou vodou a nechajte všetko dôkladne vyschnúť.
- Vysávač položte naplocho na podlahu, aby sa rozložila podlahová kefa (6). Na tento účel stlačte súčasne uvoľňovacie spínače (5a, 5b) (obr. 11, obr. 16)).
- Po každom použití vyčistite nádobu na prach z ručného vysávača. Odstráňte prachový blok z bloku motora stlačením uvoľňovacieho tlačidla (2). Odporúčame to urobiť pri vonkajšej popolnici (obr. 9, obr. 10)).
- Vyberte držiak filtra (6) a vložku filtra (7) otočením proti smeru hodinových ručičiek (obr. 9, obr. 11). Klepnite na filtračnú vložku a vyčistite držiak filtra pod tečúcou vodou (obr. 9, obr. 12). Pred zmontovaním nechajte všetky časti úplne vyschnúť.
- Čistenie filtra a nádoby na prach je veľmi dôležité, pretože umožňuje zariadeniu pracovať optimálne a odstraňuje nepríjemné pachy.
- Pohyblivý prvok podlahovej kefy pravidelne ručne pretočte, aby ste odstránili všetky cudzie predmety, ktoré sa do kefy mohli zachytiť (obr. 12).
- Ak sa pohyblivý prvok neotáča (obr. 13), potiahnite spínač na ľavej strane kefy (a) a vyberte valec (b). (obr. 13, obr. 18). Odstráňte nečistoty a špinu. Pri použití nožnic buďte opatrní, aby ste sa nezranili alebo neodrezali kefy (obr. 13, obr. 19 a 20). Vráťte valec naspäť a skontrolujte, či sa dá ľahko ručne pretočiť (obr. 13, obr. 21).

Poznámka: Po každom použití skontrolujte, či sa kefa stále ľahko otáča.


RIEŠENIE PROBLÉMOV

Problém	Možná príčina	Riešenie
Vysávač sa nezapne.	Vysávač nebol nabitý.	Uistite sa, že je vysávač úplne nabitý pred prvým použitím alebo ak nebol dlhší čas používaný.
Vysávač sa nenabíja.	Hlavný vypínač nie je zapnutý.	Uistite sa, že je hlavný vypínač napájania zapnutý.
	Napájací kábel je poškodený.	Nepoužívajte poškodený napájací kábel. Obráťte sa na stredisko služieb zákazníkom.
Sací výkon klesá.	Hubice alebo predlžovacia hadica môžu byť zablokované.	Skontrolujte, či nie sú zablokované a vyčistite ich.
	Voda v nádrži na vodu je veľmi znečistená.	Pravidelne vymeňte vodu v zásobníku za čistú vodu a po každom použití vyprázdňte nádrž na vodu.
	Filter je znečistený.	Obráťte sa na dodávateľa náhradných dielov.
Vysávač sa prehrieva.	Filter je znečistený.	Skontrolujte filter a vyčistite všetky nečistoty.
Vzduch vychádzajúci z vysávača zapácha.	Filter je znečistený.	Skontrolujte filter a vyčistite všetky nečistoty.
	Filter nie je suchý.	Pred vložením filtra späť do ručného vysávača sa uistite, že je suchý. V prípade potreby vodu vymeňte za čistú.
Kontrolka batérie / nabíjania bliká.	Vysávač je bez napájania.	Nabite vysávač naplno. Svetlo prestane blikáť.
Kefa sa už neotáča.	Kefa je znečistená.	Vyčistite kefu.

OCHRANA ŽIVOTNÉHO PROSTREDIA – SMERNICA 2012/19/EÚ

Kvôli ochrane nášho životného prostredia a ľudského zdravia by sa mal odpad z elektrických a elektronických zariadení likvidovať v súlade so špecifickými pravidlami so



zapojením sa dodávateľov aj používateľov. Z tohto dôvodu, ako signalizuje symbol  na štítku s menovitými údajmi alebo na obale, by ste toto zariadenie nemali vyhadzovať spolu s netriedeným komunálnym odpadom. Používateľ má právo priniesť výrobok na zberné miesto komunálneho odpadu, ktoré vykonáva recykláciu odpadu prostredníctvom opätovného použitia, recyklácie alebo použitia na iné účely v súlade so smernicou.

ERP DEKLARÁCIA – NARIADENIE 1275/2008/EC

My, TKG Sprl / Bvba, týmto potvrdzujeme, že náš výrobok spĺňa požiadavky nariadenia 1275/2008 / ES. Aj keď náš výrobok nemá k dispozícii funkciu na minimalizáciu spotreby energie, ktorá by podľa nariadenia 1275/2008 / ES mala po dokončení hlavnej funkcie výrobok vypnúť alebo prepnúť do pohotovostného režimu, čo je však prakticky nemožné, pretože by to mohlo ohroziť hlavnú funkciu výrobku natolko, že používanie výrobku by už nebolo možné!

Z tohto dôvodu vždy informujeme zákazníka v našom návode na obsluhu, aby spotrebič ihneď po použití odpojil zo siete.

Návod na použitie je dostupný aj v elektronickej verzii, stačí si ho vyžiadať u autorizovaného servisu (pozri záručný list).



ČEŠTINA

DŮLEŽITÉ BEZPEČNOSTNÍ OPATŘENÍ

Před použitím spotřebiče si pečlivě přečtěte tyto pokyny a vždy dodržujte bezpečnostní a provozní pokyny.

Důležité : Tento spotřebič může používat děti starší 8 let a lidé se sníženou fyzickou, smyslovou nebo duševní schopností nebo s nedostatkem zkušeností nebo znalostí, pokud jim byl dán dohled nebo pokud jde o bezpečné používání spotřebiče a rizika . Děti se s přístrojem nehrají. Čištění a údržbu uživatele nesmí dělat děti, pokud nejsou starší 8 let a jsou pod dohledem. Nikdy neopouštějte spotřebič ani jeho kabel bez dozoru a v dosahu dětí mladších 8 let nebo nezodpovědných osob, pokud jsou zapojeny do zdi nebo při ochlazování.

- Před použitím zkontrolujte, zda se síťové napětí shoduje s napětím uvedeným na přístroji.
- K nabíjení spotřebiče používejte pouze dodaný nabíjecí kabel a síťový adaptér. Nepoužívejte napájecí adaptér s jinými zařízeními.
- Pokud je nabíjecí kabel nebo zařízení poškozeno, okamžitě přestaňte zařízení používat a vyhledejte radu od výrobce, jeho servisního zástupce nebo podobně kvalifikované osoby (*).
- Spotřebič používejte pouze pro použití v domácnosti, jak je popsáno v tomto návodu.
- Nikdy neponořujte přístroj, nabíjecí kabel ani zástrčku do vody nebo jiných tekutin.
- Nikdy nepoužívejte přístroj a napájení v blízkosti horkých povrchů.
- Nikdy nepoužívejte přístroj venku a vždy jej skladujte na suchém místě.
- Vhodné pouze na suché vysávání. Nikdy nevysávejte vodu ani jiné tekutiny.
- Nikdy nevysávejte toxické materiály, protože výpary a prach mohou být nebezpečné pro vaše zdraví.

- Nikdy nepoužívejte zařízení k vysávání malty, cementu nebo jiných látek, které ztvrdnou při kontaktu s vodou a mohou narušit normální provoz vysavače.
- Nepoužívejte přístroj na domácí zvířata.
- Jiskry v motoru mohou zapálit hořlavé páry nebo prach. Nikdy ho nepoužívejte v blízkosti hořlavých nebo výbušných kapalin (jako jsou benzín, olejové barvy, čisticí prostředky), v blízkosti plynů, výbušných látek (jako je uhelný prach, hořčík, střešný prach), zdrojů kouře nebo ohně.
- Používejte pouze příslušenství doporučené dodavatelem. Jiné doplňky představují nebezpečí pro uživatele a mohou poškodit zařízení.
- Síťový adaptér vždy odpojte ze síťové zásuvky tahem za samotnou zástrčku. Nikdy netahejte za nabíjecí kabel.
- Pravidelně odstraňujte ucpání způsobené vlasy, chmýřím, prachem a podobně, aby se nesnížila sací síla.
- Pokud sací výkon poklesne nebo je sběrač prachu plný, vyčistěte filtry a vyprázdněte nádobu. Jinak by se zařízení mohlo přehřát. Pokud se tak stane, záruka přestane platit.

- (*) Kompetentní kvalifikovaný servis: zákaznický servis výrobce nebo dovozce, který je uznán a oprávněn provádět takové opravy, aby se zabránilo riziku. V případě potíží vraťte zařízení do této služby.

MONTÁŽ VYSAVAČE

- Rozbalte zařízení a veškeré příslušenství.
- Zkontrolujte, zda jsou všechny součásti uvedené v návodu v balení a nepoškozené.
- Rukojeť (8) opatrně připevněte k hlavní jednotce. Za tímto účelem opatrně vytáhněte zajišťovací šroub (9) (obr. 4, obr. 1).
- Vložte ruční vysavač (4) do hlavní jednotky. Při Skadan musí být zařízení vždy vypnuto. Při zaskočení dávejte pozor na zvuk "kliknutí" (obr. 4, obr. 3). Zkontrolujte, zda mezi kontakty ručního vysavače (4) a hlavní jednotky nejsou žádné látky.
- Baterii nabíjejte v následujících situacích:
 - Před prvním použitím; v tomto případě musí být baterie zcela nabitá (6–8 hodin).
 - Po dlouhém období bez použití. (Pro optimální výdrž baterie doporučujeme zařízení nabíjet nejméně každé tři měsíce).
- Ruční vysavač (4) musíte vložit do hlavní jednotky (obr. 5, obr. 4).
- Síťový adaptér nabíjecího kabelu (14) ke konektoru (obr. 5, obr. 5). Nabíjecí kabel (14) zapojte do nabíjecího portu (10) hlavní jednotky (obr. 5, obr. 6). Zkontrolujte, zda jsou kontakty na nabíjecím kabelu a vysavači čisté. V případě potřeby odpojte nabíjecí kabel a vyčistěte konektory.
- Indikátor nabíjení (4) během nabíjení baterie svítí červeně (obr. 5, obr. 7) a po úplném nabití baterie změní barvu na modrou.
- Nabíjecí kabel i vysavač se mohou během nabíjení mírně zahřát. Je to naprosto normální.
- Pokud ruční vysavač používáte delší dobu, mohou se zde ohřát i baterie. To je také zcela běžné.

Poznámka: Abyste dosáhli nejlepší výkon, doporučuje se nabít vysavač po každém použití.

POUŽITÍ

- Nepoužívejte výrobek během nabíjení.
- Během provozu se nikdy nedotýkejte rotujících částí podlahové kartáče.
- Nejprve pomocí spínače (11) a otevřením krytu nádrže na vodu (12) vyberte nádrž na vodu (obr. 6). Pomocí rukojeti (2) vyberte nádrž na vodu (3). Otevřete pojistné spony (5) a sejměte víko (4).
- Nalijte čistou vodu do nádrže až po značku.
- Znovu zavřete víko (4) a vložte zásobník vody (3) zpět do hlavní jednotky.
- Zapněte přístroj stisknutím vypínače (1) na rukojeti (8) hlavní jednotky. Použijte přepínač ECO (2) na změnu úrovně rychlosti.
- Opětovným stisknutím vypínače (1) vypněte spotřebič.
- Během krátkých přestávek můžete vysavač zastavit nakloněním přístroje mírně dopředu.
- Podlahová kartáč je vhodná na každodenní čištění větších povrchů, tvrdých a hladkých podlah nebo koberců.
- Ruční vysavač je vhodný na matrace, pohovky, záclony a tapety. Stisknutím tlačítka (3) na hlavní jednotce vyberte rukojeť (4) (obr. 7, obr. 8). Zapněte přístroj stisknutím vypínače (5) na ručním vysavači.
- Nikdy nepoužívejte ruční vysavač k vysávání vody nebo jiných tekutin.

Poznámky:

1. Během čištění se v nádrži na vodu může vytvořit pěna. Výkon zařízení není ovlivněn mírným pěněním.
2. Prací prostředky, mýdlo, bělidla a podobně, se nesmí přidávat do nádrže na vodu.
3. Před odložením vysavače se ujistěte, že je na rovném a neklouzavém povrchu, aby nedošlo k jeho převrnutí a nezpůsobené možnému poškození jednotky nebo podlahy.
4. Vždy po použití řádně vypněte vysavač, protože rotující štětiny mohou trvale poškodit vaši podlahu (koberec).

KONTROLA STAVU BATERIE

- Modrá – baterie je plná
- Bliká modrá – Zbývá méně než 20% baterie
- Bliká červená – Slabá baterie

ČIŠTĚNÍ A PÉČE


- Před každým čištěním spotřebič vypněte.
- Kryt ručního vysavače a hlavní jednotky otřete měkkým suchým hadříkem.
- Přetrvávající skvrny lze odstranit vlhkým hadříkem a čisticím prostředkem. Vyčištěné místo poté důkladně vysušte.
- Během používání vysavače pravidelně vyměňujte vodu v nádrži, jakmile je znečištěna a nejpozději po každém použití. Stiskněte přepínač (11) a vyjměte zásobník vody (obr. 10, obr. 13). Postupujte jako při plnění nádrže na vodu. Vyprázdněte nádrž na vodu a důkladně ji vyčistěte vodou.
- Otočte vnitřní trubici (6) proti směru hodinových ručiček a vyjměte ji (obr. 10, obr. 15). Před složením a instalací nádrže na vodu očistěte víko, hadičku, vnitřní hadici a textilní filtr čistou vodou a nechte vše důkladně vyschnout.
- Vysavač položte naplocho na podlahu, aby se rozložila podlahový kartáč (6). Pro tento účel stiskněte současně uvolňovací spínače (5a, 5b) (obr. 11, obr. 16)).
- Po každém použití vyčistěte nádobu na prach z ručního vysavače. Odstraňte prachový blok z bloku motoru stisknutím tlačítka (2). Doporučujeme to udělat při vnější popelnici (obr. 9, obr. 10)).
- Vyjměte držák filtru (6) a vložku filtru (7) otočením proti směru hodinových ručiček (obr. 9, obr. 11). Klepněte na filtrační vložku a vyčistěte držák filtru pod tekoucí vodou (obr. 9, obr. 12). Před smontováním nechte všechny části úplně vyschnout.
- Čištění filtru a nádoby na prach je velmi důležité, protože umožňuje zařízení pracovat optimálně a odstraňuje nepříjemné pachy.
- Pohyblivý prvek podlahové kartáče pravidelně ručně protočte, abyste odstranili všechny cizí předměty, které se do kartáče mohly zachytit (obr. 12).
- Pokud se pohyblivý prvek neotáčí (obr. 13), zatáhněte spínač na levé straně kartáče (a) a vyberte válec (b). (Obr. 13, obr. 18). Odstraňte nečistoty a špínu. Při použití nůžek buďte opatrní, abyste se nezranili nebo neodrezali kartáče (obr. 13, obr. 19 a 20). Vraťte válec zpět a zkontrolujte, zda se dá snadno ručně přetočit (obr. 13, obr. 21).

Poznámka: Po každém použití zkontrolujte, zda se kartáč stále snadno otáčí.

ŘEŠENÍ PROBLÉMŮ

Problém	Možná příčina	Řešení
Vysavač se nezapne.	Vysavač nebyl nabitý.	Ujistěte se, že je vysavač plně nabit před prvním použitím nebo pokud nebyl delší dobu používán.
Vysavač se nenabíjí.	Hlavní vypínač není zapnutý.	Ujistěte se, že je hlavní vypínač napájení zapnutý.
	Napájecí kabel je poškozen.	Nepoužívejte poškozený napájecí kabel. Obratě se na středisko služeb zákazníkům.
Sací výkon klesá.	Hubice nebo prodlužovací hadice mohou být zablokovány.	Zkontrolujte, zda nejsou zablokovány a vyčistěte je.
	Voda v nádrži na vodu je velmi znečištěná.	Pravidelně vyměňte vodu v zásobníku za čistou vodu a po každém použití vyprázdněte nádrž na vodu.
	Filtr je znečištěný.	Obratě se na dodavatele náhradních dílů.
Vysavač se přehřívá.	Filtr je znečištěný.	Zkontrolujte filtr a vyčistěte všechny nečistoty.
Vzduch vycházející z vysavače zapáchá.	Filtr je znečištěný.	Zkontrolujte filtr a vyčistěte všechny nečistoty.
	Filtr není suchý.	Před vložením filtru zpět do ručního vysavače se ujistěte, že je suchý. V případě potřeby vodu vyměňte za čistou.
Kontrolka baterie / nabíjení bliká.	Vysavač je bez napájení.	Nabijte vysavač naplno. Světlo přestane blikat.
Kartáč se již neotáčí.	Kartáč je znečištěný.	Vyčistěte kartáč.

OCHRANA ŽIVOTNÍHO PROSTŘEDÍ – SMĚRNICE 2012/19/EU

Kvůli ochraně našeho životního prostředí a lidského zdraví by se měl odpad z elektrických a elektronických zařízení likvidovat v souladu se specifickými pravidly se zapojením se dodavatelů i uživatelů. Z tohoto důvodu, jak signalizuje symbol  na štítku s jmenovitými údaji nebo na obalu, byste toto zařízení neměli vyhazovat spolu s netříděným komunálním odpadem. Uživatel má právo přinést výrobek na sběrné místo komunálního odpadu, které provádí recyklaci odpadu prostřednictvím opětovného použití, recyklace nebo použití k jiným účelům v souladu se směrnicí.









ERP DEKLARACE – NAŘÍZENÍ 1275/2008 / EC

My, TKG Sprl / Bvba, tímto potvrzujeme, že náš výrobek splňuje požadavky nařízení 1275/2008 / ES. I když náš výrobek nemá k dispozici funkci na minimalizaci spotřeby energie, která by podle nařízení 1275/2008 / ES měla po dokončení hlavní funkce výrobek vypnout nebo přepnout do pohotovostního režimu, což je však prakticky nemožné, protože by to mohlo ohrozit hlavní funkci výrobku natolik, že používání výrobku by již nebylo možné!

Z tohoto důvodu vždy informujeme zákazníka v našem návodu k obsluze, aby spotřebič ihned po použití odpojil ze sítě.

Návod k použití je dostupný iv elektronické verzi, stačí si ho vyžádat u autorizovaného servisu (viz záruční list).

TKG SKV 1004 N

 EN	ENGLISH	11
 DE	DEUTSCH	17
 FR	FRANCAIS	24
 SP	ESPAÑOL	30
 PL	POLSKI	36
 NL	NEDERLANDS	42
 SK	SLOVENSKÝ	48
 CZ	ČEŠTINA	54

TKG SPRL

Chaussée de Hal, 158
1640 Rhode-Saint-Genèse
BELGIUM
+ 32 2 359 95 10
sav@team.be

