

# Rowenta® Tefal®



EN

FR

DE

ES

PT

NL

IT

CS

RO

BG

SK

UK

RU

BS

SR

MK

HU

## PURE AIR CITY

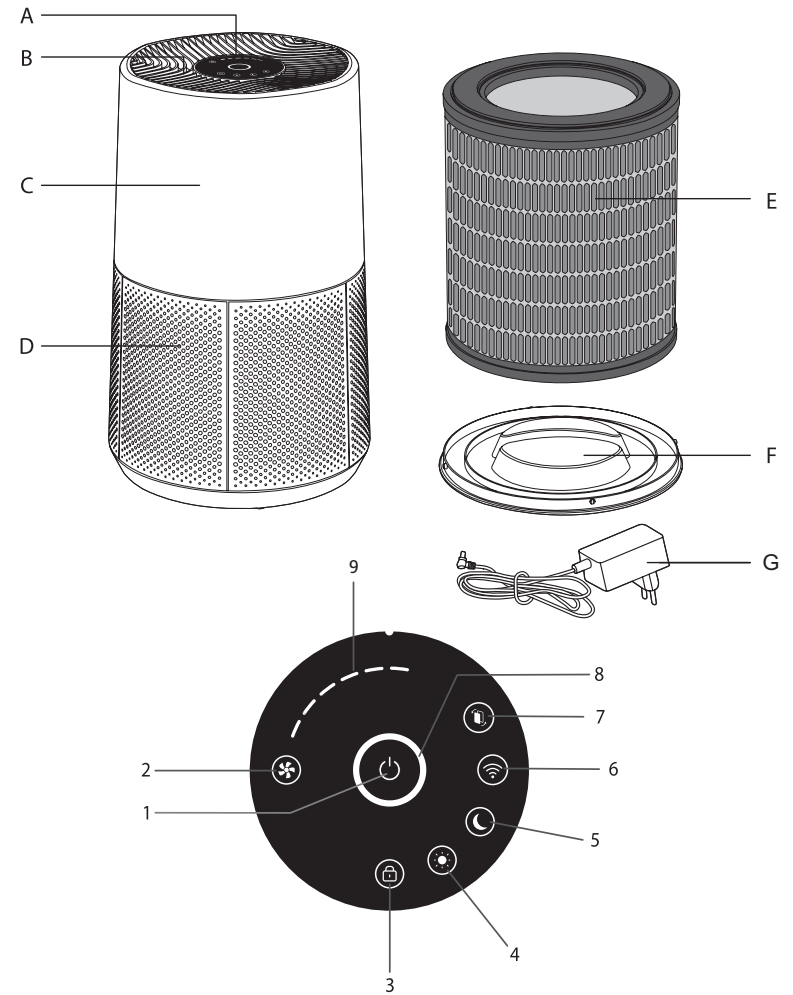
PU2840/PT2840

[www.rowenta.com](http://www.rowenta.com) / [www.tefal.com](http://www.tefal.com)

182009277/03

## SUMMARY

PRODUCT OVERVIEW	3
SAFETY INSTRUCTIONS	4
VERY IMPORTANT	4
OPERATING PRINCIPLE	5
DISASSEMBLING / REASSEMBLING FILTERS	6
WHERE TO INSTALL THE APPLIANCE	7
BEFORE FIRST USE	7
HOW TO CONNECT YOUR PURIFIER TO INTERNET	7
OPERATION	8
CARE AND MAINTENANCE	8
STORAGE	10
IN THE EVENT OF A PROBLEM	10
WARRANTY	11
ENVIRONMENT PROTECTION FIRST!	11



## PRODUCT OVERVIEW

### Accessories of Main Body

- A. Control Panel
- B. Air Outlet
- C. Main Body
- D. Air Inlet
- E. Filter
- F. Filter cover
- G. Adapter

### Control buttons

- 1. Start / Stop
- 2. Speed selection
- 3. Child lock
- 4. Mode Auto Day
- 5. Mode Auto Night
- 6. Wifi Button
- 7. Filter change indicator

### Control panel Lights

- 8. Air quality indicator
- 9. Selected speed indicator


## Read the instructions for use and safety carefully before use and keep them for future reference.

### SAFETY INSTRUCTIONS

#### WARNINGS

It is essential that you read these instructions carefully and observe the following recommendations:

- For your safety, this appliance complies with the applicable standards and regulations (low voltage, electromagnetic compatibility, environmental directives, etc.).
- This appliance should not be used by persons (including children) with reduced physical, sensory or mental capacities or lack of experience and knowledge, unless they are supervised or have been given instructions beforehand concerning use of the appliance by a person responsible for their safety.
- Children should be supervised to ensure they do not play with the appliance.
- The appliance can be used by children aged 8 and over and persons with a lack of experience or knowledge or reduced physical, sensory or mental capacities, provided they are supervised, have been trained on the safe use of the appliance and are aware of the risks involved. children must not play with the appliance.
- If the power cord is damaged, it must be replaced by the manufacturer, its after-sales service or a similarly qualified person so as to avoid any danger.
- Children should not clean or perform maintenance on the appliance without being supervised.
- For maintenance operations, please refer to the "maintenance" section.
- keep the appliance and its power cord out of the reach of children aged under 8.
- This appliance is designed for domestic use only. It should not be used for industrial purposes.
- The warranty will be invalidated if damage occurs due to incorrect use.
- Do not operate this appliance in a very dusty and/or humid place or in a location with fire hazards.
- Before use, always make sure that the appliance, plug and power cord are in good condition.
- Never insert objects into the appliance (e.g. needles, etc.).
- Do not pull on the power cord or the appliance, even to unplug it from the wall power outlet.
- Unroll the full length of the cord before use.

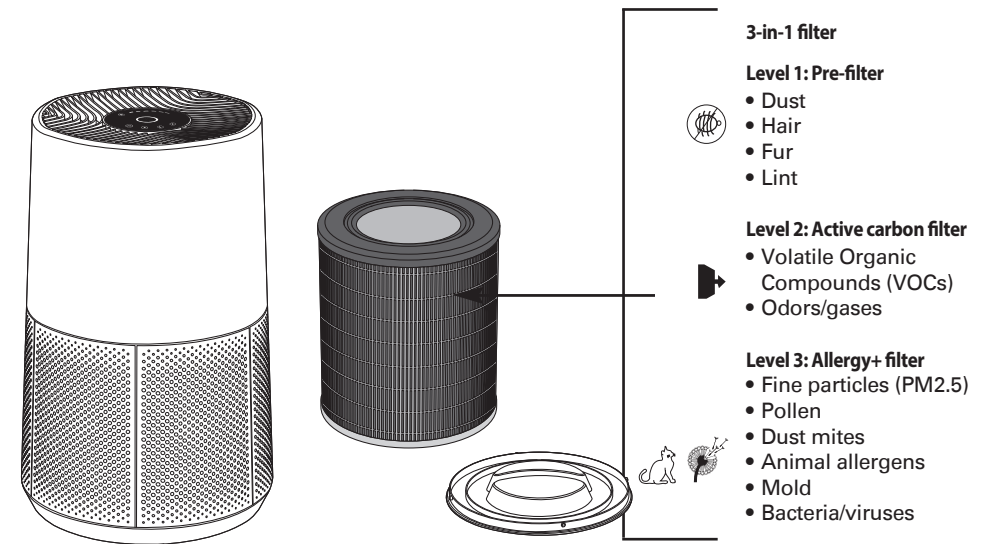
 If the pins of the plug parts are damaged, the plug-in power supply shall be scrapped.

### VERY IMPORTANT

- **Do not cover the air inlets or the outlet grid.**
- **Do not touch the appliance with wet hands.**
- **Never allow any liquid to enter the appliance.**
- **Never use the appliance in a humid place.**
- **Never use the appliance close to a heat source.**
- **Never place anything on the appliance or insert anything into it.**
- **Do not use the appliance close to flammable objects or products (curtains, aerosols, solvents, etc.).**
- **Never use the appliance in an inclined or horizontal position. Place the appliance on a flat, stable surface.**
- **In the case of prolonged absence : switch the appliance off and unplug it.**
- **Switch off and unplug your appliance before moving it.**
- **The air purifier must be unplugged during assembly and cleaning.**

### OPERATING PRINCIPLE

Pure Air City enables you to breathe pure air in your home and protects your health with up to 3 filtration levels as described below. Each level is essential and traps specific pollutant :

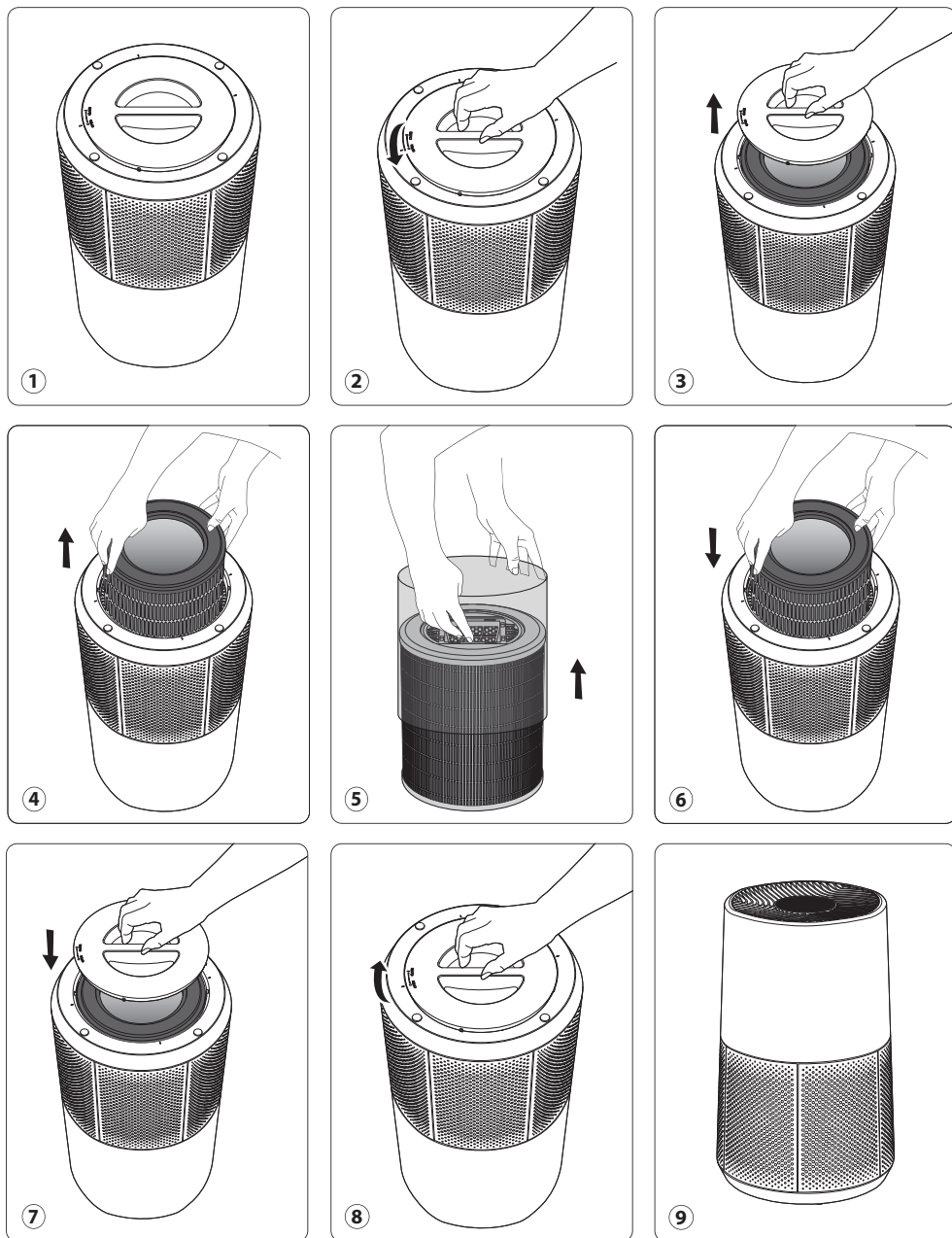


### « HOW TO ACHIEVE CLEANER INDOOR AIR »

In addition to using your Intense Air Purifier, here are some tips on how to improve the quality of your indoor air:

- Ventilate the rooms for at least 10 min. every day, in summer and winter
- Maintain your ventilation system
- Limit the use of household products
- Do not smoke indoors
- Avoid home fragrances, incense sticks, scented candles, etc.
- Ventilate whenever any work is being conducted in your home and for several weeks afterwards
- Avoid green plants that are allergenic or need frequent watering

## DISASSEMBLING / REASSEMBLING FILTERS



## WHERE TO INSTALL THE APPLIANCE

Place the purifier on a flat, stable surface in the room requiring treatment. To allow the air to circulate freely, avoid placing the appliance behind curtains, below a window, or close to any other obstacle, and leave at least 60 cm of free space on each side of the appliance.

## BEFORE USING THE APPLIANCE FOR THE FIRST TIME

**Make sure that the plastic packaging protecting the filters has been removed before using the appliance.**

Before the first use, ensure the voltage, frequency and power of your appliance suit your electric supply.

Your appliance can operate using an unearthed plug. EPS is a class II (double electrical insulation).

Before switching on your appliance, ensure that:

- the appliance is completely assembled as described in the safety instructions,
- the appliance is placed on a stable, horizontal surface,
- the appliance is positioned in accordance with the instructions given in this manual,
- the air inlets and the outlet grid are completely unobstructed,
- the filters and cover have been correctly installed (See section "Disassembling / Reassembling filter")

**IMPORTANT: You are advised to switch off and unplug the appliance when not in use.**


## HOW TO CONNECT YOUR PURIFIER TO INTERNET

Download the app «Pure Air By Rowenta» / «Pure Air by Tefal» & follow the instructions on your smartphone :

1. Sign in to create your Rowenta/Tefal account if you are new. Or log in the app if you already have an account.
2. Make sure to stand close to the purifier during the pairing (2 meters maximum) and make sure the purifier is located near a strong Wi-Fi signal.
3. Make sure your phone is connected to your local Wi-Fi network.
4. Turn your purifier on & hold the Wi-Fi button for 5 seconds (you'll hear a «ding» sound and the Wi-Fi indicator will flash to indicate that your purifier is successfully connected to Wi-Fi.)
5. Choose your Wi-Fi network and enter the network password to connect to your local Wi-Fi network.
6. And you're done !

The Wi-Fi indicator lights to indicate that your purifier is successfully connected to your Pure Air app.

## Wi-fi function

To launch a new pairing press the WIFI button  for 5 seconds.

- When the light is on, the product is paired/connected.
- When the light is flashing quickly then slowly, the product is pairing/connecting to the WIFI/ servers.
- When the light is off, the product is not connected.



## Connection issues

In case of pairing issues between the appliance and your domestic Wi-Fi network, refer to the information listed on the following link:

<https://www.compatibility.groupeseb.com/CompatibilityList-Pureair-Rowenta.pdf>

<https://www.compatibility.groupeseb.com/CompatibilityList-Pureair-Tefal.pdf>

## OPERATION


In order to achieve the best purification effect, your purifier should be more than 60cm away from the wall.

Power « Start/Stop (1) » 


- Press this button to turn the air purifier on/off.

« Speed selection (2) » 

- You can choose manually the purification speed from speed 1 to Speed 6.

« Auto day mode button (4) » 

- The purification speed is set to speed 2, speed 4 or speed 5 according to air quality level.
- If the air quality level is excellent then the device does not run.

« Auto Night Mode (5) » 

- The purification speed is set to speed 1, speed 2 or speed 3 according to air quality level.
- If the air quality level is excellent then the device does not run.
- The lights on the device turn off automatically after 5 seconds. To turn the control panel back on, press one of the buttons.

« Child lock (3) » 

- The lock system prevents the purifier from being accidentally mis-set during operation.
- To activate it, press the button (3) for 3 sec until the locked control panel indicator turns on. To exit this mode, press the button (3) again for 5 seconds, until the indicator turns off. When selected, the other buttons are locked.

### • Indication of air quality

Air quality indicator is the light circle around start/ stop button. Air quality indicator (7) is located at the « Control panel (A) » of the appliance. The LED will indicate the air quality level:

Air Quality	Air quality level color
Excellent	Blue
Slight pollution	Green
Moderate pollution	Yellow
High pollution	Red

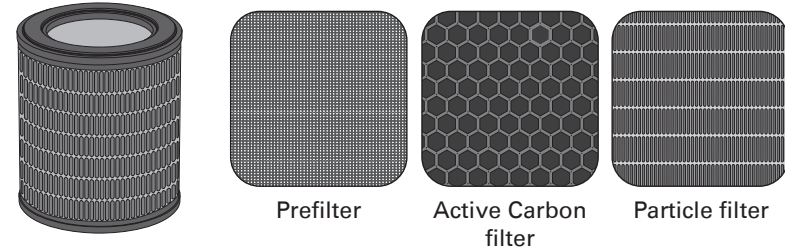
## CARE & MAINTENANCE

Before performing any maintenance work, always switch off the air purifier using the « start/ stop button (1) » and unplug it. Use a damp cloth to clean the surface of the product.

**Important: Do not use any abrasive materials, as these may damage the surface of the product.**

## FILTER

This appliance is equipped with 3 types of filters:



Frequency of cleaning/replacing the filter :

Filter	Action	Cycles
Pre-filter	Clean (remove dust)	Every 2 to 4 weeks
3-in-1 pre-filter, allergy+ filter and active carbon	Replace	Every 12 months or when the filter change indicator is lighted

*The recommended frequency for replacing the filter may vary depending on the duration of use and the operating environment.*

### IMPORTANT:

The filter change indicator (6) is lighted when the filter needs to be replaced. Once the filter has been replaced, hold down the button for 5 seconds.

### Forced reset:

If you have replaced the filter before its end of life, force the reset of filter cycle:

1. Hold the filter change indicator (6) for 5 seconds.
2. The indicator is lighted. Hold down the button for 5 seconds, to reset the filter cycle.



### « TIPS FOR CHANGING FILTERS »

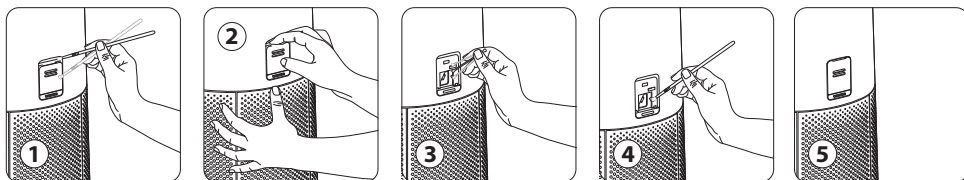
- Avoid handling used filters if you suffer from allergies or asthma.
- Wear gloves when changing the filters, or wash your hands well afterwards.
- Put used filters directly into a closed, air-tight bag before throwing them away to avoid spreading pollutants.

## POLLUTION SENSOR

The particles sensor need to be cleaned regularly (every 2 months) and appropriately.

**Make sure you turn off and unplug the appliance before cleaning the pollution sensors and follow the recommendations below:**

1. Clean the air inlet and outlet using a soft brush or cloth.
2. Open the sensor cover located at the back of the appliance.
3. Lightly wet a cotton swab and remove any dust from the lens and the inlet/outlet. Wipe using a dry cotton swab.
4. Clean the sensor using a soft brush or vacuum cleaner.
5. Replace the sensor cover



#### IMPORTANT:

- Never use a detergent or metal object to clean the sensors.
- The efficiency of the sensors may be reduced if not cleaned regularly.
- Cleaning frequency varies depending on the operating environment of the appliance. If it is used in a dusty environment, clean the sensors more frequently.

### STORAGE

When you are not using the appliance, store it in a cool, dry place with ambient conditions no higher than 35°C 70%RH.

### IN THE EVENT OF A PROBLEM

- Do not disassemble the appliance yourself. A poorly repaired appliance may be dangerous for the user.
- Check the troubleshooting table below before contacting an Approved Service Center:

Problem	Check	Solution
<b>The appliance does not switch on.</b>	Is the power cord connected?	Connect the power cord to a plug with the correct voltage.
	Are all the display elements off?	Press the on/off button and select the required function.
	Is there a power outage?	You can use your purifier once the power turns on again. Check that your appliance is not in Night auto mode
<b>The air flow does not change automatically.</b>	Is the appliance in manual mode?	Select the correct operating mode.
<b>The flow is a lot weaker than before.</b>	Does the filter need to be cleaned or replaced?	Check the filter replacement frequencies and replace the filter if necessary. Check that the pre-filter is free of dust and clean it if necessary
	Does the light still indicate poor air quality?	Check the filter replacement frequencies and replace the filter if necessary.
<b>There is an unpleasant smell coming from the air outlet.</b>	Does the light still indicate poor air quality?	Check the filter replacement frequencies and replace the filter if necessary.
<b>The air quality indicator does not change color.</b>	Is the sensor lens covered with dust?	Clean the sensor lens with soft brush.

Problem	Check	Solution
<b>The purifier doesn't connect</b>	Is your phone connected to your personal Wi-Fi network at the beginning of the process?	Verify that you are connected to your personal Wi-Fi network.
	The purifier doesn't seem to connect?	Check that your purifier is plugged in and turned on.
	The Wi-Fi led of your purifier is not flashing?	Hold the Wi-Fi button for 5 seconds.
	The first pairing didn't work?	Restart the product to retry.
	My phone is connected to the Wi-Fi but not the purifier?	Make sure the two devices are in close enough proximity to one another and close to the Wi-Fi router.
My phone isn't connecting to the Wi-Fi?	<ul style="list-style-type: none"> <li>• Check that your Wi-Fi router is connected to the Internet</li> <li>• Check that the Wi-Fi password didn't change</li> </ul>	
<b>Why did the pairing not work?</b>	Check the compatibility : <a href="https://www.compatibility.groupeseb.com/CompatibilityList-Pureair-Rowenta.pdf">https://www.compatibility.groupeseb.com/CompatibilityList-Pureair-Rowenta.pdf</a>	Supported encryption type : WPA_1/WPA_2, TTKP; PSK, AES Supported networks: 2,4 GHz

**IMPORTANT: IN CASE OF ANOMALY OR LOSS OF CONNECTION, PLEASE UNPLUG YOUR PURIFIER FOR A FEW MINUTES AND THEN PLUG IT BACK IN.**

### WARRANTY

Do not use the appliance and contact an Approved Service Centre if:

- Your appliance has been dropped;
- Your appliance or its power cord are damaged;
- Your appliance no longer functions properly.
- You can find a list of Approved Service Centres on the Rowenta international warranty card. [www.rowenta.com](http://www.rowenta.com) and [www.tefal.com](http://www.tefal.com)

### RECYCLING

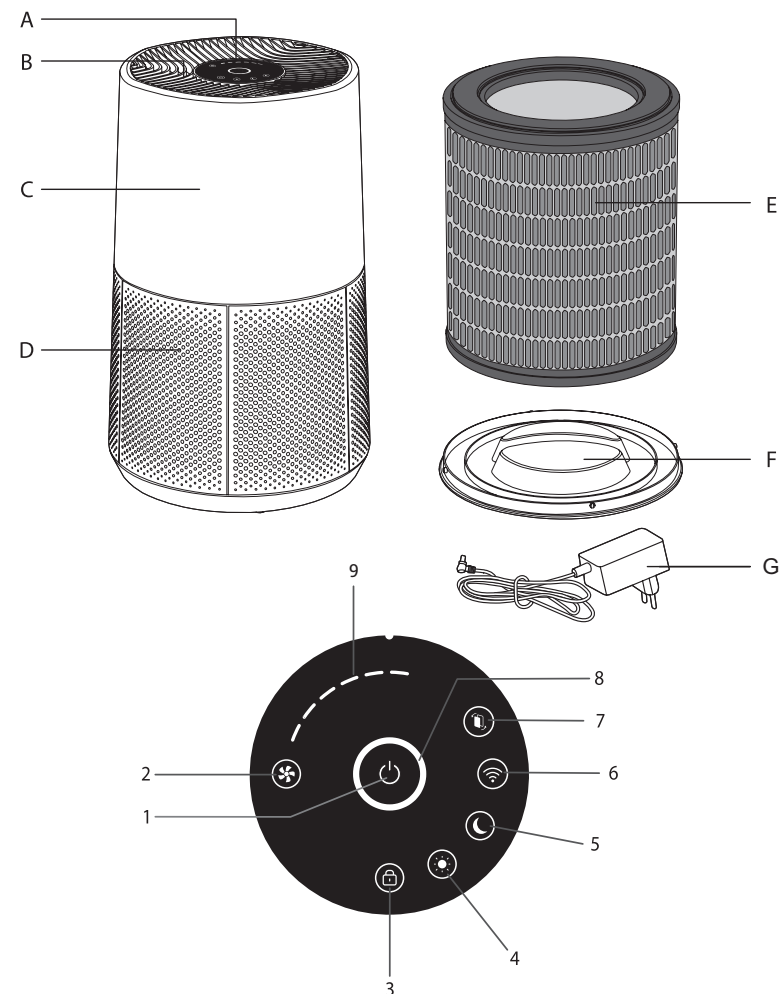
### ENVIRONMENT PROTECTION FIRST!

- ♻️ ① Your appliance contains valuable materials which can be recovered or recycled.
- ♻️ ② Leave it at a local civic waste collection point.

These instructions can also be found on our internet site, at [www.rowenta.com](http://www.rowenta.com) and [www.tefal.com](http://www.tefal.com)

## SOMMAIRE

PRÉSENTATION DU PRODUIT	13
CONSIGNES DE SÉCURITÉ	14
TRÈS IMPORTANT	14
PRINCIPE DE FONCTIONNEMENT	15
DÉMONTÉR/CHANGER LES FILTRES	16
OÙ INSTALLER L'APPAREIL	17
AVANT LA PREMIÈRE UTILISATION	17
COMMENT CONNECTER VOTRE PURIFICATEUR À INTERNET	17
FONCTIONNEMENT	18
ENTRETIEN	18
RANGEMENT	20
EN CAS DE PROBLÈME	20
GARANTIE	21
PARTICIPONS À LA PROTECTION DE L'ENVIRONNEMENT !	21



FR

## PRÉSENTATION DU PRODUIT

### Accessoires du corps principal

- A. Panneau de commande
- B. Sortie d'air
- C. Corps principal
- D. Entrée d'air
- E. Filtre
- F. Couverture du filtre
- G. Adaptateur

### Boutons de commande

- 1. Marche/Arrêt
- 2. Sélection des vitesses
- 3. Sécurité enfant
- 4. Mode Auto jour
- 5. Mode Auto nuit
- 6. Bouton Wi-Fi
- 7. Indicateur de remplacement du filtre

### Voyants du panneau de commande

- 8. Indicateur de qualité de l'air
- 9. Indicateur de vitesse sélectionnée


## Lisez attentivement les instructions d'utilisation et les consignes de sécurité avant l'utilisation et conservez-les pour vous y référer ultérieurement.

### CONSIGNES DE SÉCURITÉ

#### AVERTISSEMENT

Il est essentiel de lire attentivement ces instructions et de respecter les recommandations suivantes.

- Pour votre sécurité, cet appareil est conforme aux normes et réglementations en vigueur (directives basse tension, de compatibilité électromagnétique, environnementales, etc.).
- Cet appareil n'est pas destiné à être utilisé par des personnes (y compris les enfants) ayant des capacités physiques, sensorielles ou mentales réduites, ou un manque d'expérience et de connaissances, à moins qu'elles ne soient surveillées et qu'elles aient reçu auparavant des instructions concernant son utilisation par une personne responsable de leur sécurité.
- Il convient de surveiller les enfants pour s'assurer qu'ils ne jouent pas avec l'appareil.
- L'appareil peut être utilisé par des enfants âgés de 8 ans et plus et des personnes manquant d'expérience ou de connaissances ou ayant des capacités physiques, sensorielles ou mentales réduites, à condition qu'elles soient surveillées, qu'elles aient été formées à l'utilisation de l'appareil en toute sécurité et qu'elles soient conscientes des risques encourus.
- Les enfants ne doivent pas jouer avec l'appareil.
- Si le câble d'alimentation est endommagé, il doit être remplacé par le fabricant, son service après-vente ou une personne de qualification similaire afin d'éviter tout danger.
- Les enfants ne doivent pas nettoyer ni entretenir l'appareil sans surveillance.
- Pour les opérations d'entretien, reportez-vous à la section « entretien ».
- Conserver l'appareil et son câble d'alimentation hors de portée des enfants de moins de 8 ans.
- Cet appareil a été conçu pour un usage domestique uniquement. Il ne doit pas être utilisé pour des applications industrielles.
- La garantie sera annulée en cas de dommages résultant d'une mauvaise utilisation.
- N'utilisez pas cet appareil dans un endroit très poussiéreux et/ou humide ou dans un endroit présentant des risques d'incendie.
- Avant utilisation, vérifiez toujours que l'appareil, la prise et le câble d'alimentation sont en bon état.
- N'introduisez jamais d'objets à l'intérieur de l'appareil (par ex. des aiguilles, etc.).
- Ne tirez pas sur le câble d'alimentation ou l'appareil, même pour le débrancher de la prise murale.
- Déroulez le cordon sur toute sa longueur avant de l'utiliser.

 Si les broches de la prise sont endommagées, l'alimentation enfichable doit être mise au rebut.

### TRÈS IMPORTANT

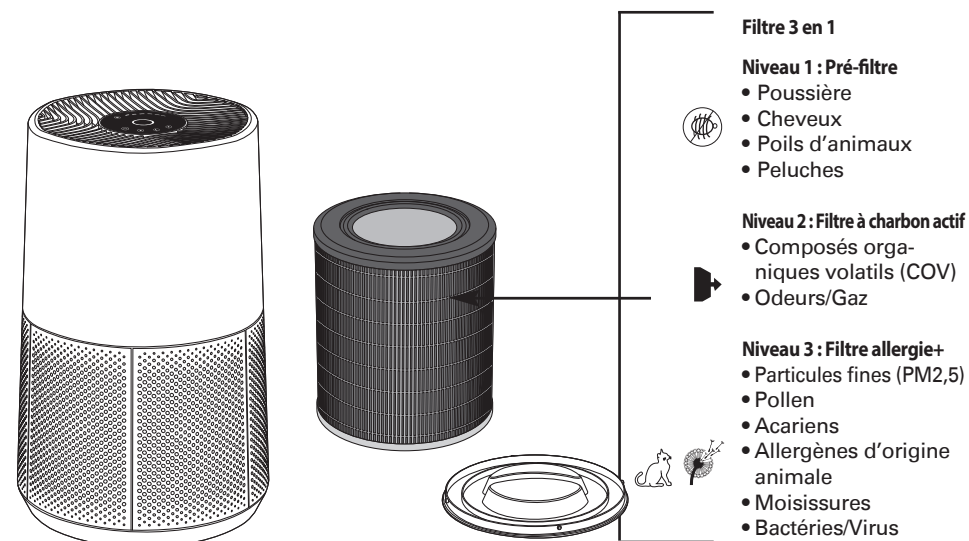
- **Ne couvrez pas les grilles d'entrée et de sortie d'air.**
- **Ne touchez pas l'appareil avec les mains mouillées.**
- **Évitez toute pénétration de liquide dans l'appareil.**
- **N'utilisez jamais l'appareil dans un endroit humide.**

- **N'utilisez jamais l'appareil à proximité d'une source de chaleur.**
- **Ne placez jamais rien sur, ou dans l'appareil.**
- **N'utilisez pas l'appareil près de produits ou d'objets inflammables (rideaux, aérosols, solvants, etc.).**
- **N'utilisez jamais l'appareil en position inclinée ou horizontale. Placez l'appareil sur une surface plane et stable.**
- **En cas d'absence prolongée, éteignez l'appareil et débranchez-le.**
- **Éteignez et débranchez votre appareil avant de le déplacer.**
- **Le purificateur d'air doit être débranché pendant son montage et son nettoyage.**

FR

### PRINCIPE DE FONCTIONNEMENT

Le Pure Air City vous permet de respirer de l'air pur dans votre maison et de préserver votre santé avec ses 3 niveaux de filtration comme décrit ci-dessous. Chaque niveau est essentiel et piège des polluants spécifiques :

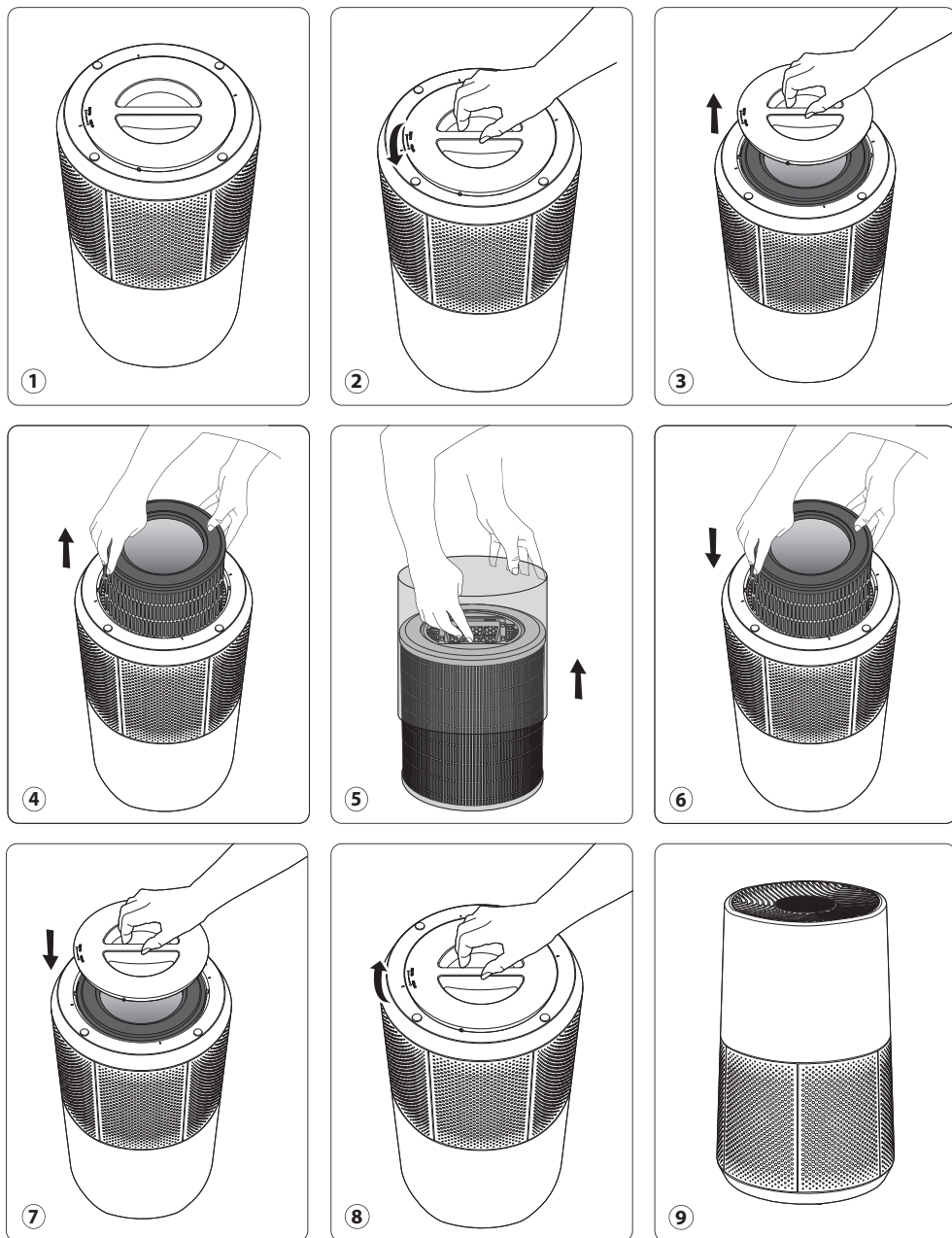


### « COMMENT AMÉLIORER LA QUALITÉ DE L'AIR INTÉRIEUR »

En plus d'utiliser votre purificateur, voici quelques conseils pour améliorer la qualité de votre air intérieur :

- aérez les pièces au moins 10 minutes chaque jour, en été comme en hiver ;
- entretenez votre système de ventilation ;
- limitez l'utilisation des produits ménagers ;
- ne fumez pas en intérieur ;
- n'utilisez pas de parfums domestiques, de bâtonnets d'encens, de bougies parfumées, etc. ;
- aérez quand des travaux sont réalisés chez vous et pendant les semaines suivant la réalisation de ces travaux ;
- évitez les plantes vertes allergisantes ou qui nécessitent un arrosage fréquent.

## DÉMONTER/CHANGER LES FILTRES



## OÙ INSTALLER L'APPAREIL

Placez le purificateur sur une surface plane et stable dans la pièce à purifier. Pour permettre à l'air de circuler librement, évitez de placer l'appareil derrière des rideaux, sous une fenêtre, ou à proximité de tout autre obstacle, et laissez au moins 60 cm d'espace libre de chaque côté de l'appareil.

## AVANT LA PREMIÈRE UTILISATION DE L'APPAREIL

FR

Vérifiez que tous les emballages en plastique de protection des filtres ont été retirés avant d'utiliser l'appareil.

Avant la première utilisation, assurez-vous que la tension, la fréquence et l'alimentation de votre appareil sont adaptées à votre alimentation électrique.

Votre appareil peut fonctionner à l'aide d'une prise non reliée à la terre. L'adaptateur secteur (EPS) est de classe II (double isolation électrique).

Avant d'allumer l'appareil, assurez-vous que :

- l'appareil est assemblé comme décrit dans les consignes de sécurité ;
- l'appareil est placé sur une surface horizontale stable ;
- l'appareil est positionné conformément aux instructions de ce manuel ;
- l'entrée et la sortie d'air sont dégagées ;
- les filtres et le couvercle ont été correctement installés (consultez la section « Démontez/Changez les filtres »).

**IMPORTANT :** Nous vous conseillons d'éteindre et de débrancher l'appareil lorsque vous ne l'utilisez pas.


## COMMENT CONNECTER VOTRE PURIFICATEUR À INTERNET ?

Téléchargez l'application « **Pure Air by Rowenta** » et suivez les instructions sur votre smartphone :

1. Créez votre compte Rowenta si vous n'êtes pas encore inscrit(e). Ou connectez-vous à l'application si vous avez déjà un compte.
2. Assurez-vous de vous tenir près du purificateur pendant l'appairage (2 mètres maximum) et de placer le purificateur à proximité d'un signal Wi-Fi puissant.
3. Assurez-vous que votre téléphone est connecté à votre réseau Wi-Fi local.
4. Allumez votre purificateur et maintenez le bouton Wi-Fi enfoncé pendant 5 secondes (vous entendrez un son et le voyant Wi-Fi clignotera pour indiquer que votre purificateur est correctement connecté au Wi-Fi.)
5. Choisissez votre réseau Wi-Fi et saisissez le mot de passe pour vous connecter à votre réseau Wi-Fi local.
6. Vous avez terminé !

Le voyant Wi-Fi s'allume pour indiquer que votre purificateur est correctement connecté à votre application Pure Air by Rowenta.

## Fonction Wi-Fi

Pour lancer un nouvel appairage, appuyez sur le bouton Wi-Fi  pendant 5 secondes.

- Lorsque le voyant est allumé, le produit est appairé/connecté.
- Lorsque le voyant clignote rapidement puis lentement, le produit est en cours d'appairage/de connexion au réseau Wi-Fi/ aux serveurs.
- Lorsque le voyant est éteint, le produit n'est pas connecté.



## Problèmes de connexion

En cas de problèmes d'appairage entre l'appareil et votre réseau Wi-Fi domestique, reportez-vous aux informations de la page suivante :

<https://www.compatibility.groupeseb.com/CompatibilityList-Pureair-Rowenta.pdf>

<https://www.compatibility.groupeseb.com/CompatibilityList-Pureair-Tefal.pdf>

## FONCTIONNEMENT

Pour une purification la plus efficace possible, le purificateur doit se trouver à plus de 60 cm du mur.

Bouton d'alimentation « Marche/Arrêt (1) » 


– Appuyer sur ce bouton pour allumer/éteindre le purificateur d'air

« Sélection des vitesses (2) » 


– Vous pouvez choisir manuellement la vitesse de purification de la vitesse 1 à la vitesse 6.

« Bouton mode Auto jour (4) » 

– La vitesse de purification est réglée sur la vitesse 2, 4 ou 5 en fonction de la qualité de l'air.  
– Si la qualité de l'air est excellente, l'appareil ne se met pas en route.

« Mode Auto nuit (5) » 

– La vitesse de purification est réglée sur la vitesse 1, 2 ou 3 en fonction de la qualité de l'air.  
– Si la qualité de l'air est excellente, l'appareil ne se met pas en route.  
– Les voyants de l'appareil s'éteignent automatiquement au bout de 5 sec. Pour rallumer le panneau de commande, appuyer sur une des touches.

« Sécurité enfant (3) » 

– Le système de verrouillage permet d'éviter tout mauvais réglage accidentel du purificateur pendant son fonctionnement.  
– Pour l'activer, appuyer sur le bouton (3) pendant 5 secondes jusqu'à ce que le voyant du panneau de commande verrouillé s'allume. Pour quitter ce mode, appuyer de nouveau sur le bouton (3) pendant 5 secondes, jusqu'à ce que le témoin s'éteigne. Lorsque ce mode est sélectionné, les autres boutons sont verrouillés.

### • Indication de la qualité de l'air

L'indicateur de qualité de l'air est représenté par un cercle lumineux autour du bouton marche/arrêt (1). L'indicateur de qualité de l'air (7) se trouve sur le panneau de commande (A) de l'appareil. La LED indique le niveau de qualité de l'air :

Qualité de l'air	Couleur du niveau de qualité de l'air
Excellent	Bleu
Pollution légère	Vert
Pollution modérée	Jaune
Pollution élevée	Rouge

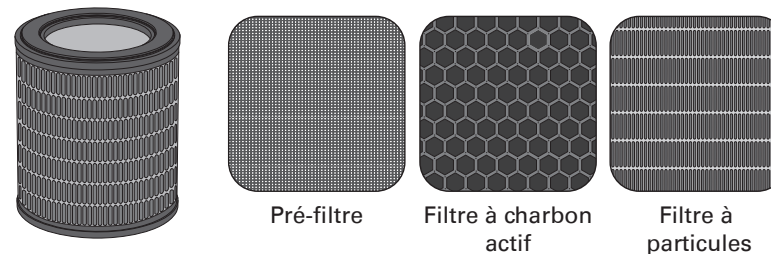
## ENTRETIEN

Avant tout entretien, veillez toujours à éteindre le purificateur d'air à l'aide du bouton « marche/arrêt (1) » et à le débrancher. Utilisez un chiffon humide pour nettoyer la surface du produit.

**Important : N'utilisez pas de matériaux abrasifs, car ils pourraient endommager la surface du produit.**

## FILTRE

Cet appareil est équipé de 3 types de filtres :



Pré-filtre

Filtre à charbon actif

Filtre à particules

### Fréquence de nettoyage/remplacement du filtre :

Filtre	Action	Cycles
Pré-filtre	Nettoyer (enlever la poussière)	Toutes les 2 à 4 semaines
Filtre 3 en 1 : pré-filtre, filtre allergy+, filtre à charbon actif	Remplacer	Tous les 12 mois ou lorsque l'indicateur de changement de filtre est allumé

La fréquence recommandée pour le remplacement du filtre peut varier en fonction de la durée d'utilisation et de l'environnement d'utilisation.

### IMPORTANT :

L'indicateur de remplacement du filtre (6) s'allume lorsque le filtre doit être changé. Après avoir changé le filtre, maintenez le bouton enfoncé pendant 5 secondes.

### Réinitialisation forcée :

si vous avez remplacé le filtre avant la fin de sa durée de vie, forcez la réinitialisation du cycle du filtre :

1. Maintenez l'indicateur de remplacement du filtre (6) enfoncé pendant 5 secondes.
2. Le voyant s'allume. Maintenez le bouton enfoncé pendant 5 secondes pour réinitialiser le cycle du filtre.



### « CONSEILS POUR CHANGER LES FILTRES »

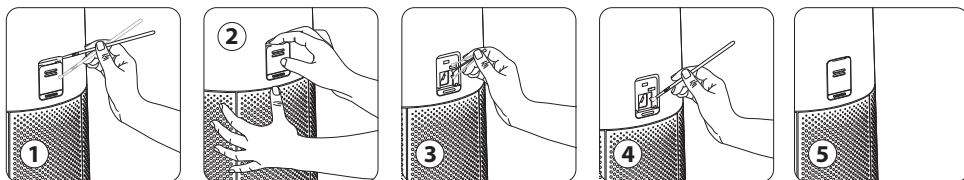
- Évitez de manipuler les filtres usagés si vous souffrez d'allergies ou d'asthme.
- Portez des gants lorsque vous changez les filtres ou lavez-vous bien les mains après le changement.
- Placez les filtres usagés directement dans un sac fermé et hermétique avant de les jeter pour éviter de répandre les polluants.

## CAPTEUR DE POLLUTION

Le capteur de particules doit être nettoyé régulièrement (tous les 2 mois) et de manière appropriée.

**Assurez-vous d'éteindre et de débrancher l'appareil avant de nettoyer les capteurs de pollution et suivez les recommandations ci-dessous :**

1. Nettoyez l'entrée et la sortie d'air à l'aide d'un chiffon sec ou d'un aspirateur.
2. Ouvrez le couvercle du capteur situé à l'arrière de l'appareil.
3. Humidifiez légèrement un coton-tige et retirez la poussière de la lentille du capteur et de l'entrée/la sortie d'air. Essuyez-les à l'aide d'un coton-tige sec.
4. Nettoyez le capteur à l'aide d'une brosse douce ou d'un aspirateur.
5. Remplacez le couvercle du capteur.



### IMPORTANT :

- n'utilisez jamais de détergent ou d'objet métallique pour nettoyer les capteurs ;
- l'efficacité des capteurs peut être réduite s'ils ne sont pas nettoyés régulièrement ;
- la fréquence de nettoyage varie en fonction de l'environnement de fonctionnement de l'appareil. Si vous l'utilisez dans un environnement poussiéreux, il est recommandé de nettoyer les capteurs plus fréquemment.

## RANGEMENT

Lorsque vous n'utilisez pas l'appareil, rangez-le dans un endroit frais et sec, à une température ambiante ne dépassant pas 35°C et 70 % d'humidité relative.

## EN CAS DE PROBLÈMES

- Ne démontez pas l'appareil vous-même. Un appareil mal réparé peut être dangereux pour l'utilisateur.
- Consultez le tableau de dépannage ci-après avant de contacter un centre de réparation agréé :

Problème	Vérification	Solution
L'appareil ne s'allume pas.	Le câble d'alimentation est-il branché ?	Branchez le câble d'alimentation à une prise à la tension appropriée.
	Tous les voyants d'affichage sont-ils éteints ?	Appuyez sur le bouton Marche/Arrêt et sélectionnez la fonction souhaitée.
	Y a-t-il une coupure de courant ?	Vous pourrez utiliser votre purificateur une fois le courant rétabli. Vérifier que votre appareil n'est pas en mode auto Nuit
Le flux d'air ne change pas automatiquement.	L'appareil est-il en mode manuel ?	Sélectionnez le mode de fonctionnement correct.
Le flux d'air est plus faible qu'auparavant.	Faut-il nettoyer ou remplacer le filtre ?	Vérifiez les fréquences de remplacement du filtre et remplacez-le si nécessaire.
		Vérifier que le préfiltre est dépoussiéré et nettoyer le si nécessaire.
Une odeur désagréable provient de la sortie d'air.	Le voyant indique-t-il toujours une mauvaise qualité de l'air ?	Vérifiez les fréquences de remplacement du filtre et remplacez-le si nécessaire.
L'indicateur de qualité de l'air ne change pas de couleur.	La lentille du capteur est-elle couverte de poussière ?	Nettoyez la lentille du capteur à l'aide d'un chiffon sec.

Problème	Vérification	Solution
Le purificateur ne se connecte pas.	Votre téléphone est-il connecté à votre réseau Wi-Fi personnel depuis le début du processus ?	Vérifiez votre connexion à votre réseau Wi-Fi personnel.
	Le purificateur ne semble pas se connecter ?	Vérifiez que votre purificateur est branché et allumé.
	L'indicateur LED du Wi-Fi de votre purificateur ne clignote pas ?	Maintenez le bouton Wi-Fi enfoncé pendant 5 secondes.
	La première tentative d'appairage n'a pas fonctionné ?	Redémarrez le produit pour réessayer.
	Mon téléphone est connecté au Wi-Fi, mais n'est pas connecté au purificateur ?	Assurez-vous que les deux appareils sont suffisamment proches l'un de l'autre et du routeur Wi-Fi.
Mon téléphone ne se connecte pas au Wi-Fi ?	<ul style="list-style-type: none"> <li>• Vérifiez que votre routeur Wi-Fi est connecté à Internet</li> <li>• Vérifiez que le mot de passe Wi-Fi n'a pas changé</li> </ul>	
Pourquoi l'appairage n'a-t-il pas fonctionné ?	Vérifiez la compatibilité : <a href="https://www.compatibility.groupeseb.com/CompatibilityList-Pureair-Rowenta.pdf">https://www.compatibility.groupeseb.com/CompatibilityList-Pureair-Rowenta.pdf</a>	Type de cryptage pris en charge : WPA_1/WPA_2, TTKP ; PSK, AES Réseaux pris en charge : 2,4 GHz

FR

**IMPORTANT : EN CAS D'ANOMALIE OU DE PERTE DE CONNEXION, DÉBRANCHEZ VOTRE PURIFICATEUR PENDANT QUELQUES MINUTES, PUIS REBRANCHEZ-LE.**

## GARANTIE

N'utilisez pas l'appareil et contactez un centre de réparation agréé si :

- votre appareil est tombé ;
- votre appareil ou son cordon d'alimentation est endommagé ;
- votre appareil ne fonctionne plus correctement,
- Vous trouverez une liste des centres de réparation agréés sur la carte de garantie internationale Rowenta. [www.rowenta.com](http://www.rowenta.com)

## RECYCLAGE

### PARTICIPONS À LA PROTECTION DE L'ENVIRONNEMENT !

- ① Votre appareil contient de nombreux matériaux valorisables ou recyclables.
- ➔ Confiez celui-ci dans un point de collecte ou à défaut dans un centre service agréé pour que son traitement soit effectué.

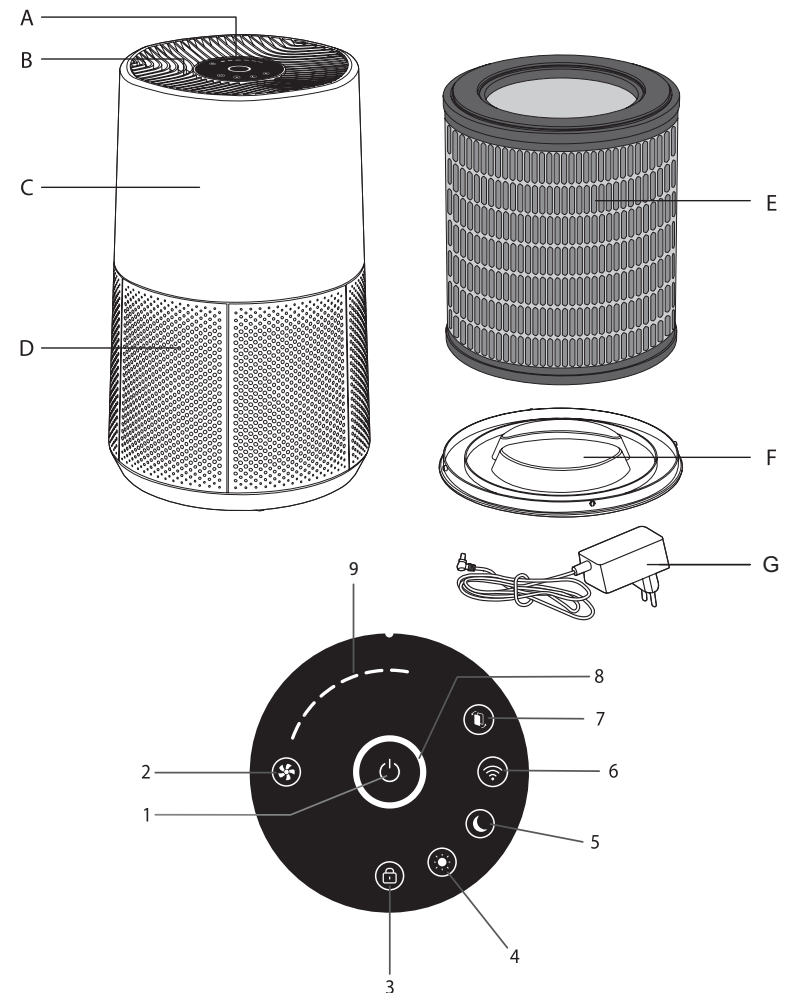


Ces consignes sont également disponibles sur notre site Internet [www.rowenta.com](http://www.rowenta.com).

DECLARATION UE DE CONFORMITE SIMPLIFIEE		
Le GROUPE SEB déclare que l'équipement radioélectrique Purifier PU2840F0 est conforme à la directive 2014/53/UE.		
Le texte complet de la déclaration UE de conformité est disponible à l'adresse internet suivante : <a href="https://www.rowenta.fr/eu-declaration-of-conformity">https://www.rowenta.fr/eu-declaration-of-conformity</a>		
Bandes de fréquences utilisées: 2400-2483,50MHz (WiFi & Bluetooth)		
Puissances de radiofréquence maximales :	WiFi :	18 dBm
	Bluetooth :	8 dBm

## INHALT

PRODUKTÜBERSICHT	23
SICHERHEITSHINWEISE	24
WICHTIGE INFORMATIONEN!	24
FUNKTIONSPRINZIP	25
FILTER ZERLEGEN/ZUSAMMENBAUEN	26
AUFSTELLUNGORT DES GERÄTS	27
VOR DEM ERSTEN GEBRAUCH	27
LUFTREINIGER MIT DEM INTERNET VERBINDEN	27
BETRIEB	28
PFLEGE- UND WARTUNG	28
LAGERUNG	30
IM FALLE VON PROBLEMEN	30
GARANTIE	31
DENKEN SIE AN DEN SCHUTZ DER UMWELT!	32



DE

## PRODUKTÜBERSICHT

### Komponenten des Hauptgeräts

- A. Bedienfeld
- B. Luftauslass
- C. Hauptgehäuse
- D. Lufteinlass
- E. Filter
- F. Filterabdeckung
- G. Adapter

### Steuerungstasten

- 1. Start/Stopp
- 2. Geschwindigkeitsauswahl
- 3. Kindersicherung
- 4. Tagmodus
- 5. Nachtmodus
- 6. WLAN-Taste
- 7. Anzeige für Filterwechsel

### Bedienfeld-LEDs

- 8. Luftqualitätsanzeige
- 9. Anzeige für gewählte Geschwindigkeit

## Lesen Sie die Gebrauchsanleitung und die Sicherheitshinweise vor der Verwendung aufmerksam durch und bewahren Sie sie für spätere Verwendung auf.

### SICHERHEITSHINWEISE

#### VORSICHT

Bitte lesen Sie diese Anweisungen sorgfältig durch und beachten Sie die folgenden Empfehlungen:

- Zu Ihrer Sicherheit erfüllt dieses Gerät die geltenden Normen und Bestimmungen (Niederspannung, elektromagnetische Verträglichkeit, Umweltschutzrichtlinien usw.).
- Dieses Gerät darf nicht von Personen (einschließlich Kindern) mit eingeschränkten physischen, sensorischen oder geistigen Fähigkeiten oder mangelnder Erfahrung und Kenntnis benutzt werden, es sei denn, sie werden von einer für ihre Sicherheit verantwortlichen Person beaufsichtigt oder erhalten von dieser vorher Anweisungen zum Gebrauch des Geräts.
- Kinder müssen beaufsichtigt werden, um sicherzustellen, dass sie nicht mit dem Gerät spielen.
- Das Gerät kann von Kindern ab 8 Jahren, Personen mit mangelnder Erfahrung, Kenntnis oder eingeschränkten physischen, sensorischen oder geistigen Fähigkeiten verwendet werden, sofern sie beaufsichtigt werden, in der sicheren Verwendung des Geräts geschult werden und sich der damit verbundenen Risiken bewusst sind. Kinder dürfen nicht mit dem Gerät spielen.
- Beschädigte Netzkabel dürfen aus Sicherheitsgründen nur vom Hersteller, dessen Kunden dienst oder einer Person mit vergleichbarer Qualifikation ausgewechselt werden.
- Kinder dürfen das Gerät nicht ohne Aufsicht reinigen oder warten.
- Informationen zur Wartung finden Sie im Abschnitt „Wartung.“
- Halten Sie das Gerät und das Netzkabel außerhalb der Reichweite von Kindern unter 8 Jahren.
- Dieses gerät ist nur für den privaten Gebrauch konzipiert. Es sollte nicht für industrielle Zwecke verwendet werden.
- Die Garantie erlischt, wenn Schäden durch unsachgemäße Verwendung entstehen.
- Verwenden Sie das Gerät nicht an einem sehr staubigen und/oder feuchten Ort oder an einem Ort mit Brandgefahr.
- Stellen Sie vor dem Gebrauch immer sicher, dass sich das Gerät, der Stecker und das Netzkabel in gutem Zustand befinden.
- Führen Sie niemals Gegenstände in das Gerät ein (Z.B. Nadeln usw.).
- Ziehen Sie nicht am Netzkabel oder am Gerät, auch nicht, um es aus der Steckdose zu ziehen.
- Rollen Sie das Kabel vor dem Gebrauch vollständig aus.

 Wenn die Stifte der Steckdose beschädigt sind, muss das Steckernetzteil entsorgt werden.

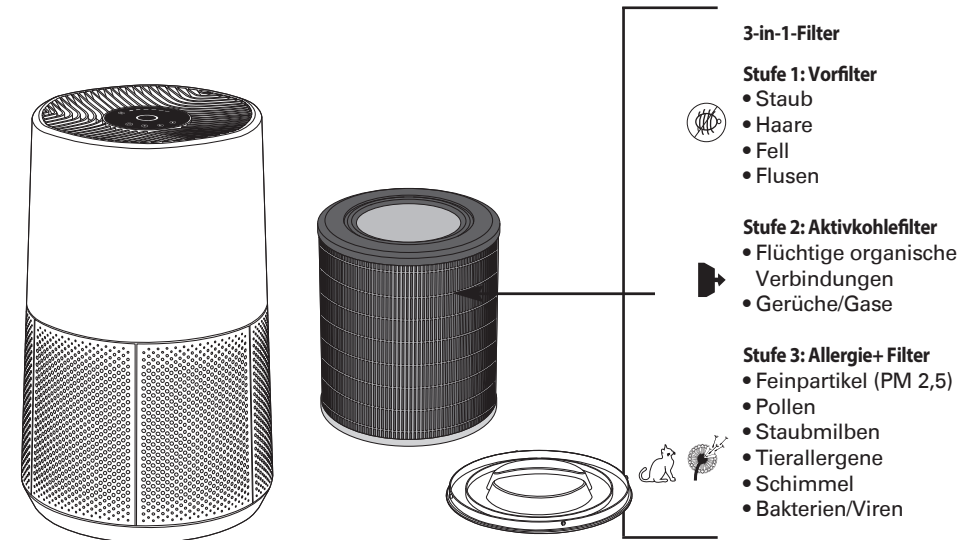
### WICHTIGE INFORMATIONEN!

- **Decken Sie die Lufteinlässe oder das Auslassgitter nicht ab.**
- **Berühren Sie das Gerät nicht mit nassen Händen.**
- **Lassen Sie niemals Flüssigkeiten in das Gerät gelangen.**
- **Verwenden Sie das Gerät niemals an einem feuchten Ort.**
- **Verwenden Sie das Gerät niemals in der Nähe einer Wärmequelle.**
- **Legen Sie keine Gegenstände auf das Gerät und stecken Sie keine Gegenstände in das Gerät.**

- **Verwenden Sie das Gerät nicht in der Nähe von brennbaren Gegenständen oder Produkten (Gardinen, brennbare Aerosole, Lösungsmitteln usw.).**
- **Verwenden Sie das Gerät niemals in geneigter oder waagerechter Position. Stellen Sie das Gerät auf eine ebene, stabile Oberfläche.**
- **Bei längerer Abwesenheit: Schalten Sie das Gerät aus und ziehen Sie den Netzstecker.**
- **Schalten Sie das Gerät aus, und ziehen Sie den Netzstecker aus der Steckdose, bevor Sie es bewegen.**
- **Der Luftreiniger muss während des Zusammenbaus und der Reinigung ausgesteckt werden.**

### FUNKTIONSPRINZIP

Der Pure Air City sorgt dafür, dass Sie zu Hause reine Luft atmen und schützt Ihre Gesundheit mit bis zu 3 Filterstufen (siehe weiter unten). Jede Filterstufe ist unerlässlich und fängt spezifische Schadstoffe ein:



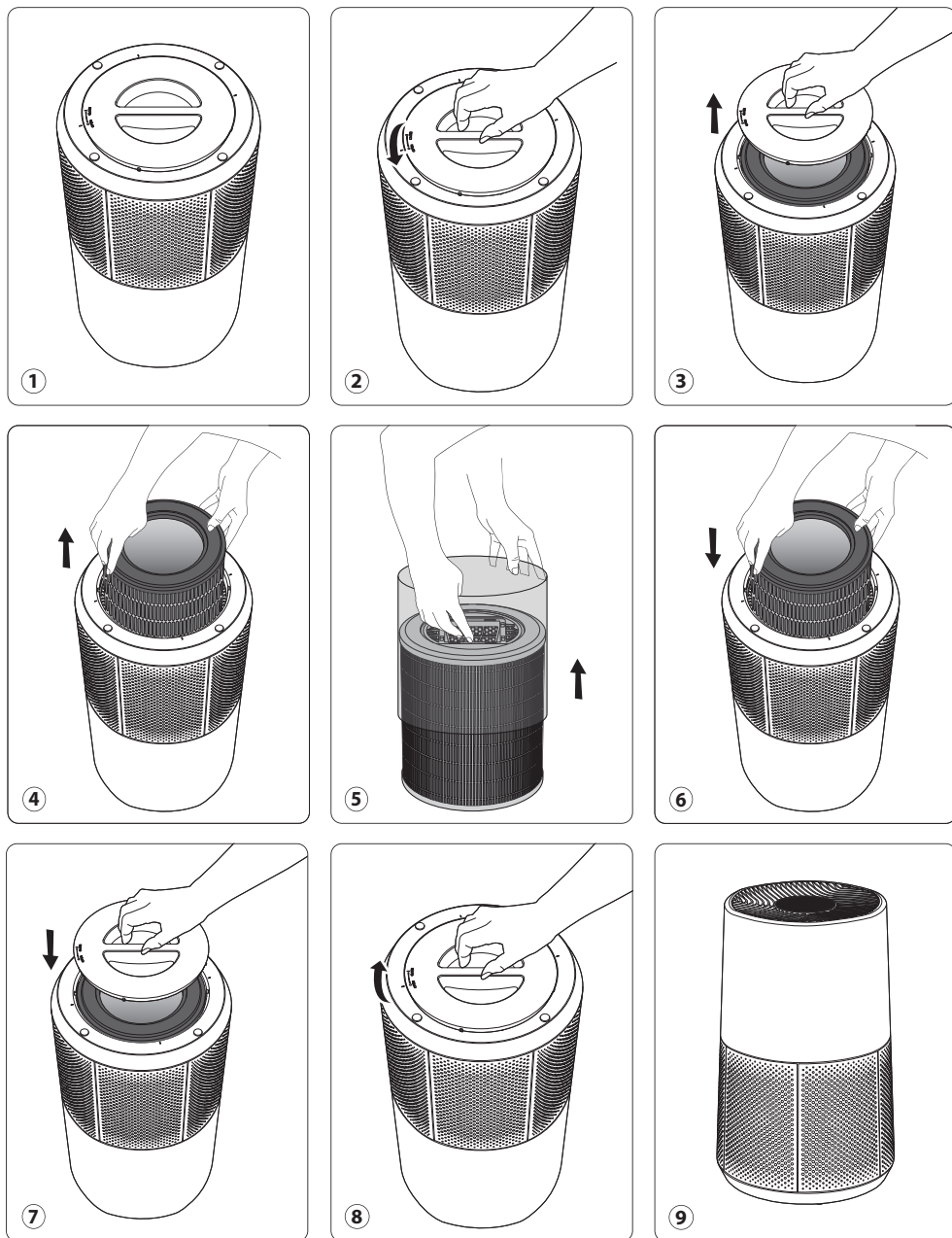
### SO WIRD DIE LUFT IN INNENRÄUMEN SAUBERER

Zusätzlich zur Verwendung Ihres Pure Air City finden Sie hier einige Tipps, wie Sie die Qualität Ihrer Raumluft verbessern können:

- Lüften Sie die Räume im Sommer und Winter mindestens 10 Minuten lang täglich
- Pflegen Sie Ihr Lüftungssystem
- Beschränken Sie die Verwendung von Haushaltsreinigungsprodukten
- Rauchen Sie nicht in Innenräumen
- Vermeiden Sie Duftstoffe, Räucherstäbchen, Duftkerzen usw.
- Lüften Sie, wann immer Arbeiten in Ihrem Haus durchgeführt werden, und noch einige Wochen danach
- Vermeiden Sie Grünpflanzen, die Allergien auslösen oder häufig gegossen werden müssen



## FILTER ZERLEGEN/ZUSAMMENBAUEN



## AUFSTELLUNGORT DES GERÄTS

Stellen Sie den Luftreiniger auf eine ebene, stabile Fläche in dem zu behandelnden Raum. Damit die Luft ungehindert zirkulieren kann, stellen Sie das Gerät nicht hinter Vorhängen, unter Fenstern oder in der Nähe eines anderen Hindernisses auf, und lassen Sie auf jeder Seite des Geräts mindestens 60 cm Freiraum.

## VOR DER ERSTEN VERWENDUNG DES GERÄTS

**Vergewissern Sie sich, dass die Kunststoffverpackung zum Schutz der Filter vor dem Gebrauch des Geräts entfernt wurde.**

Vergewissern Sie sich vor der ersten Inbetriebnahme, dass Spannung, Frequenz und Leistung Ihres Geräts mit dem Stromnetz übereinstimmen.

Das Gerät kann mit einem nicht geerdeten Stecker betrieben werden. EPS Klasse II (doppelte elektrische Isolierung).

Bevor Sie Ihr Gerät einschalten, vergewissern Sie sich, dass:

- das Gerät vollständig zusammengebaut ist, wie in den Sicherheitshinweisen beschrieben,
- das Gerät auf einer stabilen, horizontalen Fläche steht,
- das Gerät gemäß den Anweisungen in dieser Anleitung aufgestellt ist,
- die Lufteinlässe und das Auslassgitter nicht verdeckt sind,
- die Filter und Filterabdeckung korrekt installiert wurden (siehe Abschnitt „Filter zerlegen/zusammenbauen“)

**WICHTIG: Wenn das Gerät nicht benutzt wird, sollte es ausgeschaltet und der Netzstecker gezogen werden.**


## LUFTREINIGER MIT DEM INTERNET VERBINDEN

Laden Sie die App „**Pure Air by Rowenta**“ herunter und folgen Sie den Anweisungen auf Ihrem Smartphone:

1. Melden Sie sich an, um Ihr Rowenta-Konto zu erstellen, wenn Sie neu sind. Oder melden Sie sich in der App an, wenn Sie bereits ein Konto haben.
2. Stellen Sie sicher, dass Sie sich während der Kopplung in der Nähe des Luftreinigers befinden (maximal 2 Meter) und dass sich der Luftreiniger in der Nähe eines starken WLAN-Signals befindet.
3. Stellen Sie sicher, dass Ihr Smartphone mit Ihrem lokalen WLAN-Netzwerk verbunden ist.
4. Schalten Sie den Luftreiniger ein, und halten Sie die WLAN-Taste 5 Sekunden lang gedrückt (Sie hören einen Signalton und die WLAN-Anzeige blinkt, um anzuzeigen, dass der Luftreiniger erfolgreich mit dem WLAN verbunden wurde).
5. Wählen Sie Ihr WLAN-Netzwerk aus, und geben Sie das Netzwerkpasswort ein, um eine Verbindung zu Ihrem lokalen WLAN-Netzwerk herzustellen.
6. Fertig!

Die WLAN-Anzeige leuchtet, um anzuzeigen, dass der Luftreiniger erfolgreich mit der Pure Air by Rowenta App verbunden wurde.

## WLAN-Funktion

Um eine neue Kopplung zu starten, drücken Sie 5 Sekunden lang die WLAN-Taste .

- Wenn die LED leuchtet, ist das Gerät gekoppelt/verbunden.
- Wenn die LED erst schnell und dann langsam blinkt, wird das Gerät mit dem WLAN/den Servern gekoppelt/verbunden.
- Wenn die LED aus ist, ist das Gerät nicht verbunden.



## Verbindungsprobleme

Bei Problemen mit der Kopplung zwischen dem Gerät und Ihrem WLAN-Heimnetzwerk finden Sie Informationen unter dem folgenden Link:  
<https://www.compatibility.groupeseb.com/CompatibilityList-Pureair-Rowenta.pdf>  
<https://www.compatibility.groupeseb.com/CompatibilityList-Pureair-Tefal.pdf>

## BETRIEB


Um die beste Reinigungswirkung zu erzielen, sollte Ihr Luftreiniger mehr als 60 cm von der Wand entfernt sein.

Start-/Stopp Taste (1) 


– Drücken Sie diese Taste, um den Luftreiniger ein-/auszuschalten.

Geschwindigkeitsauswahl (2) 

– Sie können die Reinigungsgeschwindigkeit von Stufe 1 bis Stufe 6 manuell auswählen.

Taste für Tagmodus (4) 

– Die Reinigungsgeschwindigkeit wird je nach Luftqualitätsstufe auf Stufe 2, 4 oder 5 eingestellt.  
 – Wenn die Luftqualität ausgezeichnet ist, läuft das Gerät nicht.

Schlafmodus (5) 

– Die Reinigungsgeschwindigkeit wird je nach Luftqualitätsstufe auf Stufe 1, 2 oder 3 eingestellt.  
 – Wenn die Luftqualität ausgezeichnet ist, läuft das Gerät nicht.  
 – Die Lichter am Gerät schalten sich nach 5 Sekunden automatisch aus. Um das Panel wieder einzuschalten, drücken Sie eine der Tasten.

Kindersicherung (3) 

– Das Verriegelungssystem verhindert, dass der Luftreiniger während des Betriebs versehentlich falsch eingestellt wird.  
 – Um es zu aktivieren, drücken Sie die Taste (3) für 5 Sekunden, bis die Kontrollanzeige für die Verriegelung aufleuchtet.  
 Um diesen Modus zu verlassen, drücken Sie die Taste (3) erneut für 5 Sekunden, bis die Anzeige erlischt.  
 Wenn die Verriegelung aktiviert ist, sind die anderen Tasten gesperrt.

### • Anzeige der Luftqualität

Die Luftqualitätsanzeige ist der Leuchtkreis um die Start-/Stopp-Taste. Die Luftqualitätsanzeige (7) befindet sich am Bedienfeld (A) des Geräts. Die LED zeigt die Luftqualitätsstufe an:

Luftqualität	Farbe für Luftqualitätsniveau
Ausgezeichnet	Blau
Geringe Verunreinigung	Grün
Mäßige Verunreinigung	Gelb
Hohe Verunreinigung	Rot

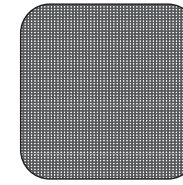
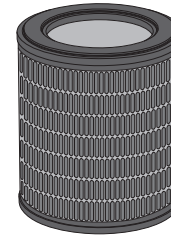
## PFLEGE UND WARTUNG

Schalten Sie den Luftreiniger vor der Durchführung von Wartungsarbeiten immer mit der Start-/Stopp-Taste (1) aus und ziehen Sie den Netzstecker aus der Steckdose. Verwenden Sie ein feuchtes Tuch, um die Oberfläche des Geräts zu reinigen.

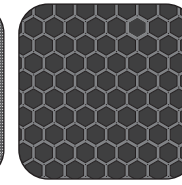
**Wichtig: Verwenden Sie keine scheuernden Materialien, da diese die Oberfläche des Produkts beschädigen können.**

## FILTER

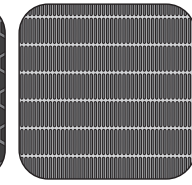
Dieses Gerät ist mit 3 Filtertypen ausgestattet:



Vorfilter



Aktivkohlefilter



Partikelfilter

DE

### Häufigkeit der Reinigung/des Filterwechsels:

Filter	Aktion	Zyklen
Vorfilter	Reinigen (Staub entfernen)	Alle 2 bis 4 Wochen
3-in-1-Vorfilter, Allergie + Filter, Aktivkohle	Austauschen	Alle 12 Monate, oder wenn die Anzeige für Filterwechsel leuchtet

Die empfohlene Häufigkeit für den Filterwechsel kann je nach Einsatzdauer und Betriebsumgebung variieren.

### WICHTIG:

Die Filterwechselanzeige (6) leuchtet, wenn der Filter ausgetauscht werden muss. Wenn der Filter ausgetauscht wurde, die Taste 5 Sekunden lang gedrückt halten.

### Erzwingenes Zurücksetzen:

Wenn Sie den Filter vor Ablauf seiner Lebensdauer ausgetauscht haben, erzwingen Sie das Zurücksetzen des Filterzyklus:

1. Halten Sie die Filterwechselanzeige (6) 5 Sekunden lang gedrückt.
2. Die Anzeige leuchtet auf. Halten Sie die Taste 5 Sekunden lang gedrückt, um den Filterzyklus zurückzusetzen.



### TIPPS ZUM FILTERWECHSEL

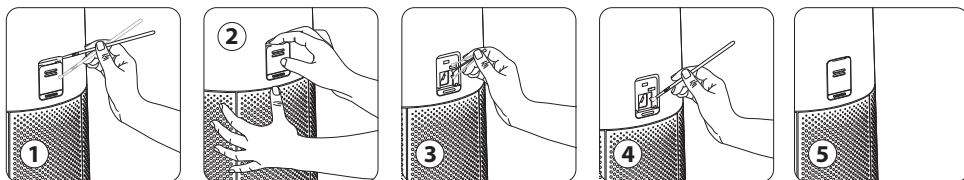
- Vermeiden Sie den Umgang mit gebrauchten Filtern, wenn Sie an Allergien oder Asthma leiden.
- Tragen Sie beim Filterwechsel Handschuhe oder waschen Sie sich danach gründlich die Hände.
- Geben Sie gebrauchte Filter direkt in einen geschlossenen, luftdichten Beutel, bevor Sie sie wegwerfen, um die Verbreitung von Schadstoffen zu vermeiden.

## SENSOREN FÜR DIE LUFTVERUNREINIGUNG

Die Partikelsensoren müssen regelmäßig (alle 2 Monate) und angemessen gereinigt werden.

**Stellen Sie sicher, dass Sie das Gerät ausschalten und den Netzstecker ziehen, bevor Sie die Sensoren für die Luftverunreinigung reinigen, und befolgen Sie die Anweisungen:**

1. Reinigen Sie den Lufteinlass und -auslass mit einer weichen Bürste oder einem weichen Tuch.
2. Öffnen Sie die Sensorabdeckung auf der Rückseite des Geräts.
3. Feuchten Sie ein Wattestäbchen leicht an, und entfernen Sie Staub von der Linse und dem Einlass/Auslass. Wischen Sie mit einem trockenen Wattestäbchen ab.
4. Reinigen Sie den Sensor mit einer weichen Bürste oder einem Staubsauger.
5. Bringen Sie die Sensorabdeckung wieder an.



**WICHTIG:**

- Verwenden Sie zum Reinigen der Sensoren niemals Reinigungsmittel oder Metallobjekte.
- Die Effizienz der Sensoren kann sich verringern, wenn sie nicht regelmäßig gereinigt werden.
- Die Häufigkeit der Reinigung hängt von der Betriebsumgebung des Geräts ab. Wenn das Gerät in einer staubigen Umgebung verwendet wird, sollten Sie die Sensoren häufiger reinigen.

**LAGERUNG**

Wenn Sie das Gerät nicht verwenden, bewahren Sie es an einem kühlen, trockenen Ort mit einer Umgebungstemperatur von maximal 35 °C und bei höchstens 70 % relativer Luftfeuchtigkeit auf.

**IM FALLE VON PROBLEMEN**

- Nehmen Sie das Gerät nicht selber auseinander. Ein schlecht repariertes Gerät kann für den Benutzer gefährlich sein.
- Überprüfen Sie die nachfolgende Fehlerbehebungstabelle, bevor Sie sich an eine autorisierte Kundendienstzentrale wenden:

Problem	Überprüfen	Lösung
<b>Das Gerät lässt sich nicht einschalten.</b>	Ist das Netzkabel angeschlossen?	Schließen Sie das Netzkabel an eine Steckdose mit der richtigen Spannung an.
	Sind alle Anzeigen ausgeschaltet?	Drücken Sie die Ein-/Aus-Taste und wählen Sie die gewünschte Funktion aus.
	Liegt ein Stromausfall vor?	Sie können den Luftreiniger verwenden, sobald die Stromversorgung wiederhergestellt ist. Vergewissern Sie sich, dass sich das Gerät nicht im Nachtmodus befindet.
<b>Der Luftstrom ändert sich nicht automatisch.</b>	Befindet sich das Gerät im manuellen Modus?	Wählen Sie den richtigen Betriebsmodus.
<b>Die Strömung ist erheblich schwächer als vorher.</b>	Muss der Filter gereinigt oder ausgetauscht werden?	Überprüfen Sie die Häufigkeit des Filterwechsels und ersetzen Sie den Filter bei Bedarf.
		Prüfen Sie, ob der Vorfilter staubfrei ist, und reinigen Sie ihn bei Bedarf.
<b>Ein unangenehmer Geruch kommt aus dem Luftauslass.</b>	Zeigt die Anzeige immer noch eine schlechte Luftqualität an?	Überprüfen Sie die Häufigkeit des Filterwechsels und ersetzen Sie den Filter bei Bedarf.
<b>Die Farbe der Luftqualitätsanzeige ändert sich nicht.</b>	Ist die Sensorlinse mit Staub bedeckt?	Reinigen Sie die Sensorlinse mit einer weichen Bürste.

Problem	Überprüfen	Lösung
<b>Der Luftreiniger stellt keine Verbindung her</b>	Ist das Smartphone zu Beginn des Vorgangs mit Ihrem persönlichen WLAN-Netzwerk verbunden?	Stellen Sie sicher, dass Sie mit Ihrem persönlichen WLAN-Netzwerk verbunden sind.
	Der Luftreiniger scheint keine Verbindung herzustellen?	Überprüfen Sie, ob der Luftreiniger korrekt angeschlossen und eingeschaltet ist.
	Die WLAN-LED des Luftreinigers blinkt nicht?	Halten Sie die WLAN-Taste 5 Sekunden lang gedrückt.
	Die erste Kopplung funktioniert nicht?	Starten Sie das Gerät neu, um es erneut zu versuchen.
	Das Smartphone ist mit dem WLAN verbunden, aber nicht mit dem Luftreiniger?	Stellen Sie sicher, dass sich die beiden Geräte in ausreichender Nähe zueinander und in der Nähe des WLAN-Routers befinden.
Das Smartphone stellt keine WLAN-Verbindung her?	<ul style="list-style-type: none"> <li>• Prüfen sie, ob Ihr WLAN-Router mit dem Internet verbunden ist</li> <li>• Prüfen sie, ob sich das WLAN-Passwort geändert hat.</li> </ul>	
<b>Warum hat die Kopplung nicht funktioniert?</b>	Überprüfen Sie die Kompatibilität: <a href="https://www.compatibility.groupseb.com/CompatibilityList-Pureair-Rowenta.pdf">https://www.compatibility.groupseb.com/CompatibilityList-Pureair-Rowenta.pdf</a>	Unterstützter Verschlüsselungstyp: WPA_1/WPA_2, TIPK, PSK, AES Unterstützte Netzwerke: 2,4 GHz

DE

**WICHTIG: IM FALLE EINER ANOMALIE ODER EINES VERBINDUNGSVERLUSTS TRENNEN SIE DEN LUFTREINIGER FÜR EINIGE MINUTEN VON DER STROMVERSORGUNG UND SCHLIESSEN SIE IHN DANN WIEDER AN.**

**GARANTIE**

Verwenden Sie das Gerät nicht und wenden Sie sich an eine autorisierte Kundendienstzentrale, wenn:

- das Gerät heruntergefallen ist;
- das Gerät oder Netzkabel beschädigt ist;
- das Gerät nicht mehr richtig funktioniert.
- Eine Liste mit autorisierten Kundendienstzentralen finden Sie auf der internationalen Garantiekarte von Rowenta. [www.rowenta.com](http://www.rowenta.com)

**RECYCLING**

**BEDEUTUNG DES SYMBOLS „DURCHGESTRICHENE MÜLLTonne“**

Das auf Elektro- und Elektronikgeräten regelmäßig abgebildete Symbol einer durchgestrichenen Mülltonne weist darauf hin, dass das jeweilige Gerät am Ende seiner Lebensdauer getrennt vom unsortierten Siedlungsabfall zu erfassen ist.

**GETRENNTE ERFASSUNG VON ALTGERÄTEN**

Elektro- und Elektronikgeräte, die zu Abfall geworden sind, werden als Altgeräte bezeichnet. Besitzer von Altgeräten haben diese einer vom unsortierten Siedlungsabfall getrennten Erfassung zuzuführen. Altgeräte gehören insbesondere nicht in den Hausmüll, sondern in spezielle Sammel- und Rückgabesysteme.

Die getrennte Entsorgung eines Haushaltsgerätes vermeidet mögliche negative Auswirkungen auf die Umwelt und die menschliche Gesundheit, die durch eine nicht vorschriftsmäßige Entsorgung bedingt sind. Zudem ermöglicht wird die Wiederverwertung der Materialien, aus denen sich das Gerät zusammensetzt, was wiederum eine bedeutende

Einsparung an Energie und Ressourcen mit sich bringt.

Enthalten die Produkte Batterien und Akkus oder Lampen, die aus dem Altgerät zerstörungsfrei entnommen werden können, sind Sie als Endnutzer gesetzlich dazu verpflichtet, diese vor der Entsorgung zu entnehmen und getrennt als Batterie bzw. Lampe zu entsorgen.

#### MÖGLICHKEITEN DER RÜCKGABE VON ALTGERÄTEN

Besitzer von Altgeräten aus privaten Haushalten können diese bei den Sammelstellen der öffentlich-rechtlichen

Entsorgungsträger oder bei den von Herstellern oder Vertreibern im Sinne des ElektroG eingerichteten Rücknahmestellen unentgeltlich abgeben. Auskünfte zur nächsten Abfallsammelstelle erhalten Sie beim Hersteller oder Händler

#### DATENSCHUTZ

Wir weisen alle Endnutzer von Elektro- und Elektronikgeräten darauf hin, dass Sie für das Löschen personenbezogener Daten auf den zu entsorgenden Altgeräten selbst verantwortlich sind.

## DENKEN SIE AN DEN SCHUTZ DER UMWELT!



① Ihr Gerät enthält wertvolle Rohstoffe, die wieder verwertet werden können.

➡ Geben Sie Ihr Gerät deshalb bitte bei einer Sammelstelle Ihrer Stadt oder Gemeinde ab.

**Diese Anleitung finden sie auch auf unserer Website [www.rowenta.com](http://www.rowenta.com).**

#### VEREINFACHTE EU-KONFORMITÄTSERKLÄRUNG

Hiermit erklärt GROUPE SEB, dass der Funkanlagentyp Purifier PU2840F0 der Richtlinie 2014/53/EU entspricht.

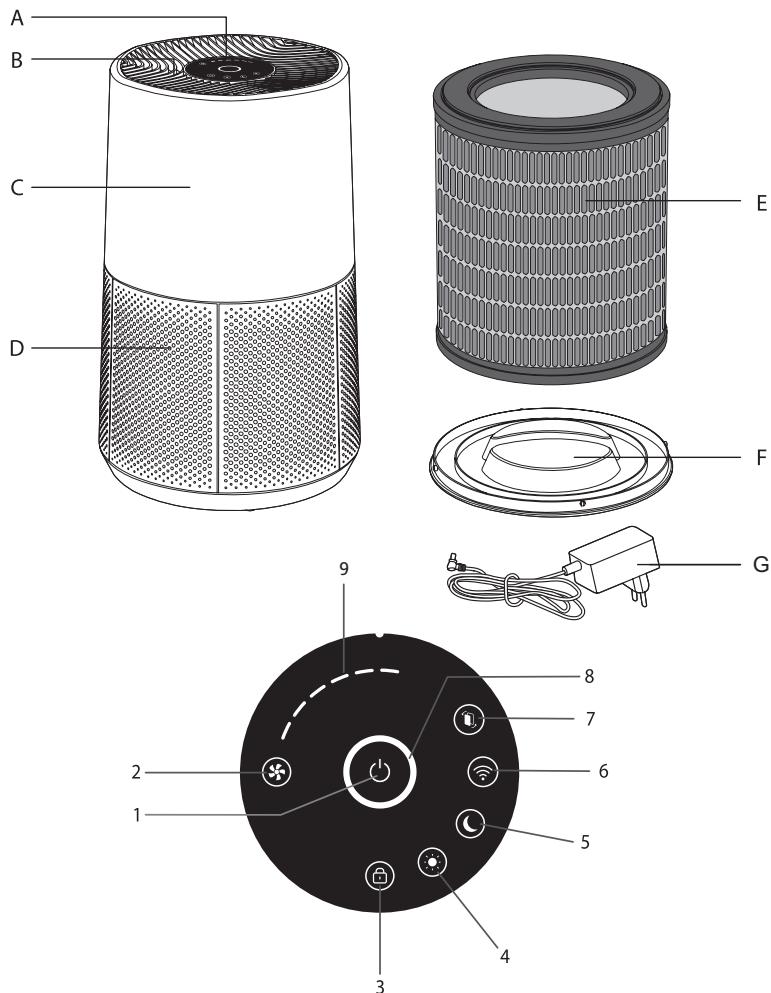
Der vollständige Text der EU-Konformitätserklärung ist unter der folgenden Internetadresse verfügbar:  
<https://www.rowenta.de/eu-declaration-of-conformity>

Frequenzband betrieben: 2400-2483,50MHz (WiFi & Bluetooth)

Maximale Radiofrequenzleistung:	WiFi :	18 dBm
	Bluetooth :	8 dBm

## RESUMEN

DESCRIPCIÓN GENERAL DEL PRODUCTO	34
INSTRUCCIONES DE SEGURIDAD	35
MUY IMPORTANTE	35
PRINCIPIOS DE FUNCIONAMIENTO	36
DESMONTAJE/MONTAJE DE LOS FILTROS	37
DÓNDE INSTALAR EL APARATO	38
ANTES DEL PRIMER USO	38
CÓMO CONECTAR EL PURIFICADOR A INTERNET	38
FUNCIONAMIENTO	39
CUIDADO Y MANTENIMIENTO	39
ALMACENAMIENTO	41
EN CASO DE QUE SE PRODUZCA UN PROBLEMA	41
GARANTÍA	42
¡ ¡ PARTICIPE EN LA CONSERVACIÓN DEL MEDIO AMBIENTE ! !	42



## DESCRIPCIÓN GENERAL DEL PRODUCTO

### Accesorios del cuerpo principal

- A. Panel de control
- B. Salida de aire
- C. Cuerpo principal
- D. Entradas de aire
- E. Filtro
- F. Tapa del filtro
- G. Adaptador

### Botones de control

- 1. Iniciar/Detener
- 2. Selección de velocidad
- 3. Bloqueo infantil
- 4. Modo de día automático
- 5. Modo de noche automático
- 6. Botón de Wi-Fi
- 7. Indicador de cambio de filtro

### Luces del panel de control

- 8. Indicador de calidad del aire
- 9. Indicador de velocidad seleccionada

**Lee atentamente las instrucciones de uso y seguridad del aparato antes de su uso y guárdalas para consultarlas en el futuro.**

## INSTRUCCIONES DE SEGURIDAD

### ADVERTENCIAS

Es esencial leer detenidamente estas instrucciones y tener en cuenta las siguientes recomendaciones:

- Para tu seguridad, este aparato cumple con todas las normas y regulaciones aplicables (baja tensión, compatibilidad electromagnética, directrices ambientales, etc.).
- Este aparato no debe ser usado por personas (esto incluye niños) con capacidades físicas, sensoriales o mentales limitadas, o sin experiencia o conocimientos, salvo que estén bajo supervisión o hayan recibido instrucciones relacionadas con el uso del aparato por una persona responsable de su seguridad.
- Se recomienda vigilar a los niños para garantizar que no juegan con el aparato.
- El aparato podrán utilizarlo niños a partir de 8 años y personas sin experiencia o conocimientos, o con capacidades físicas, sensoriales o mentales limitadas, siempre que estén bajo supervisión, hayan sido entrenadas en el uso seguro del aparato y sean conscientes de los riesgos que supone su uso. Los niños no deben jugar con el aparato.
- Si se daña el cable eléctrico, deberá sustituirlo el fabricante, su servicio postventa o una persona con una cualificación similar con el fin de evitar peligros.
- Los niños no deben limpiar ni realizar tareas de mantenimiento del aparato sin supervisión.
- Para obtener información acerca de las tareas de mantenimiento, consulta la sección «»mantenimiento»».
- Mantén el aparato y el cable eléctrico fuera del alcance de los niños menores de 8 años.
- Este aparato ha sido diseñado solo para uso doméstico. No debe utilizarse para fines industriales.
- La garantía quedará invalidada si se producen daños por un uso incorrecto.
- No utilices este aparato en lugares con mucho polvo o humedad, ni en lugares con peligro de incendio.
- Antes de su uso, asegúrate siempre de que el aparato, el enchufe y el cable eléctrico están en buen estado.
- No introduces objetos en el interior del aparato (por ejemplo, agujas, etc.).
- No tires del cable eléctrico o del aparato, incluso cuando lo desenchufes de la toma de corriente.
- Desenrolla todo el cable antes de utilizarlo.

 Si las conexiones de las piezas del enchufe están dañadas, desecha la fuente de alimentación del enchufe.

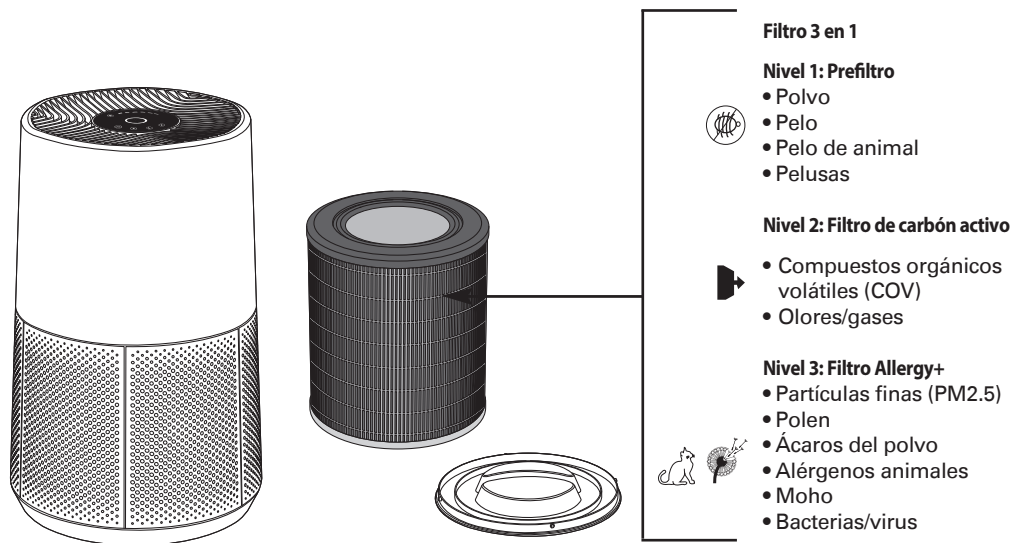
## MUY IMPORTANTE

- **No cubras las entradas de aire ni las rejillas de salida.**
- **No toques el aparato con las manos mojadas.**
- **No dejes que entre líquido en el aparato.**
- **No utilices nunca el aparato en un lugar húmedo.**
- **No utilices nunca el aparato cerca de una fuente de calor.**
- **No coloques nunca nada sobre el aparato ni introduces ningún objeto.**
- **No utilices el aparato cerca de objetos o productos inflamables (cortinas, aerosoles, disolventes, etc.).**
- **No utilices nunca el aparato en posición horizontal o inclinada. Coloca el aparato en una superficie plana y estable.**
- **En caso de ausencia prolongada, apaga el aparato y desenchúfalo.**
- **Apaga y desenchufa el aparato antes de moverlo.**
- **El purificador de aire debe estar desenchufado durante el montaje y la limpieza del aparato.**



## PRINCIPIOS DE FUNCIONAMIENTO

Pure Air City permite respirar aire puro en tu hogar y protege tu salud con hasta 3 niveles de filtración, como se describe a continuación. Cada nivel es esencial y atrapa contaminantes específicos:

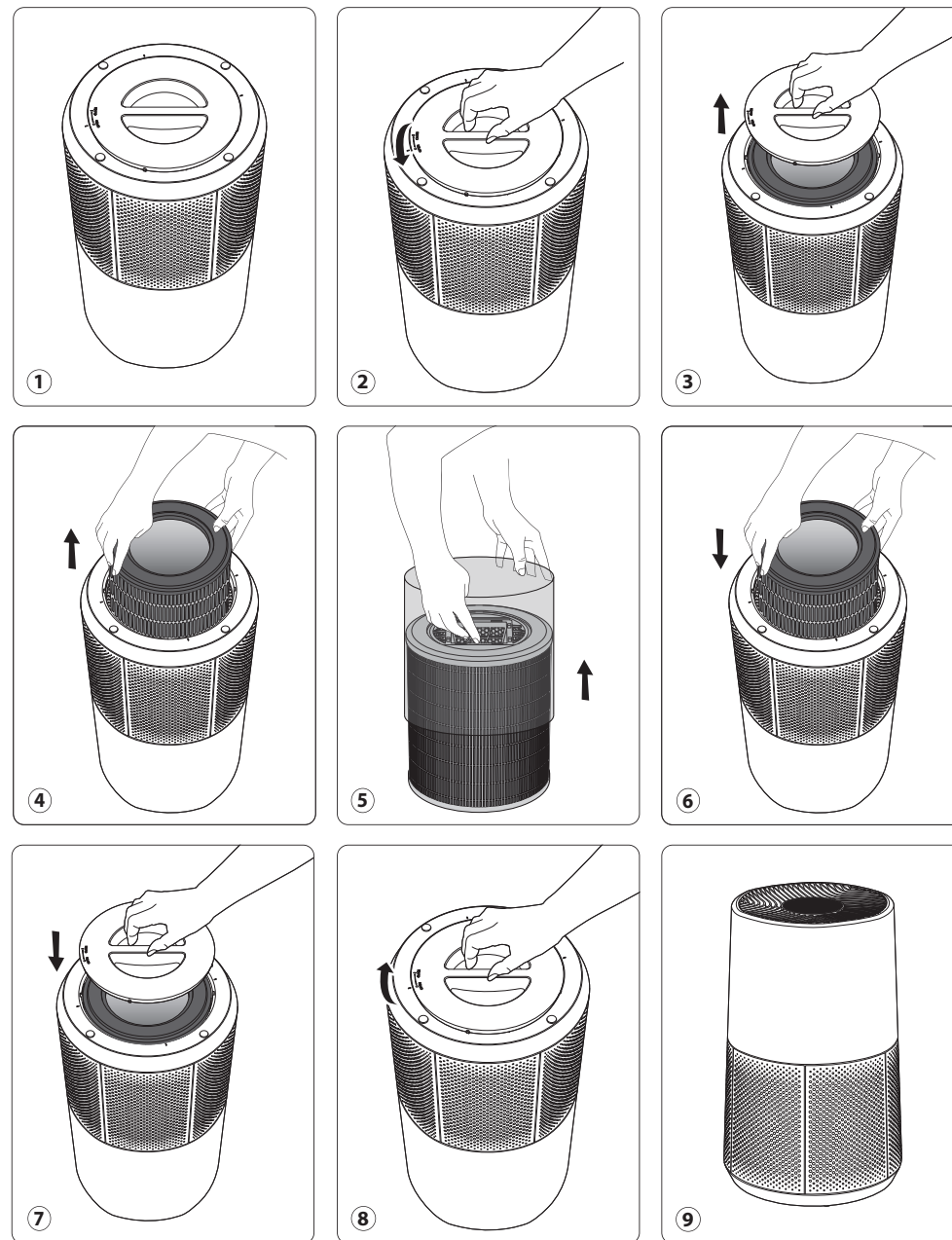


### «CÓMO CONSEGUIR UN AIRE MÁS PURO EN EL HOGAR»

Además de utilizar el purificador de aire, aquí tienes algunos consejos para mejorar la calidad del aire interior:

- Ventila las habitaciones durante al menos 10 minutos todos los días, en verano e invierno
- Realiza el mantenimiento del sistema de ventilación
- Limita el uso de productos domésticos
- No fumes en interiores
- Evita usar ambientadores domésticos, incienso, velas perfumadas, etc.
- Ventila siempre que estés realizando algún trabajo en casa y durante varias semanas después
- Evita las plantas que sean alergénicas o necesiten un riego frecuente

## DESMONTAJE/MONTAJE DE LOS FILTROS



ES

## DÓNDE INSTALAR EL APARATO

Coloca el purificador en una superficie plana y estable en la habitación que requiera tratamiento. Para que el aire circule con libertad, evita colocar el aparato detrás de cortinas, debajo de una ventana, un mueble o una estantería, o cerca de cualquier otro obstáculo, y deja al menos 60 cm de espacio libre a cada lado del aparato.

## ANTES DE USAR EL APARATO POR PRIMERA VEZ

**Asegúrate de que el embalaje de plástico que protege los filtros se ha retirado antes de utilizar el aparato.**

Antes de utilizarlo por primera vez, comprueba que el voltaje, la frecuencia y la potencia del aparato son adecuados para el suministro eléctrico.

El aparato puede funcionar en un enchufe sin toma de tierra. El enchufe EPS está clasificado como de clase II (aislamiento eléctrico doble).

Antes de encender el aparato, comprueba lo siguiente:

- el aparato está completamente montado como se describe en las instrucciones de seguridad;
- el aparato está colocado sobre una superficie horizontal estable;
- el aparato está colocado según las instrucciones de este manual,
- las entradas de aire y la rejilla de salida están completamente despejadas;
- los filtros y la tapa están correctamente instalados (consulta la sección «Desmontaje/Montaje de los filtros»)

**IMPORTANTE: Se recomienda apagar y desenchufar el aparato cuando no esté en uso.**


## CÓMO CONECTAR EL PURIFICADOR A INTERNET

Descarga la aplicación «Pure Air by Rowenta» y sigue las instrucciones de tu smartphone:

1. Inicia sesión para crear una cuenta de Rowenta si eres usuario nuevo. O bien inicia sesión en la aplicación si ya tienes una cuenta.
2. Permanece cerca del purificador durante el emparejamiento (2 metros como máximo) y asegúrate de que se encuentra cerca de una señal Wi-Fi potente.
3. Comprueba que el teléfono está conectado a la red Wi-Fi local.
4. Enciende el purificador y mantén pulsado el botón Wi-Fi durante 5 segundos (oirás un «ding» y el indicador Wi-Fi parpadeará para señalar que el purificador se ha conectado correctamente a la red Wi-Fi).
5. Selecciona la red Wi-Fi e introduce la contraseña de red para conectarte a ella.
6. ¡Ya está!

El indicador Wi-Fi se ilumina para señalar que el purificador se ha conectado correctamente a la aplicación Pure Air by Rowenta.

## Función Wi-Fi

Para iniciar un nuevo emparejamiento, pulsa el botón Wi-Fi  durante 5 segundos.

- Cuando la luz se encienda, el producto estará emparejado/conectado.
- Si la luz parpadea rápidamente y luego despacio, el producto se está emparejando/conectando a la conexión Wi-Fi/servidores.
- Si la luz está apagada, el aparato no está conectado.

## Problemas de conexión

En caso de problemas de emparejamiento entre el dispositivo y la red Wi-Fi doméstica, consulta la información que aparece en el siguiente enlace:

<https://www.compatibility.groupeseb.com/CompatibilityList-Pureair-Rowenta.pdf>


<https://www.compatibility.groupeseb.com/CompatibilityList-Pureair-Tefal.pdf>

## FUNCIONAMIENTO

Para lograr el mejor efecto de purificación, su purificador debe estar a más de 60 cm de la pared.

"Iniciar/Detener (1)" 


– Presiona este botón para encender/apagar el purificador de aire.

"Selección de velocidad (2)" 

– Puedes escoger manualmente la velocidad de purificación (de 1 a 6).

"Modo de día automático (4)" 

– La velocidad de purificación se establece en 2, 4 o 5 según el nivel de calidad del aire.  
– Si el nivel de calidad del aire es excelente, el dispositivo no se activará.

"Modo de noche (5)" 

– La velocidad de purificación se establece en 1, 2 o 3 según el nivel de calidad del aire.  
– Si el nivel de calidad del aire es excelente, el dispositivo no se activará.  
– Las luces del dispositivo se apagan automáticamente después de 5 segundos. Para poder volver a activar el panel de control, pulsa uno de los botones.

"Bloqueo infantil (3)" 

– El sistema de bloqueo evita que se configure incorrectamente el purificador durante su funcionamiento.  
– Para activarlo, pulsa el botón (3) durante 5 segundos hasta que se encienda el indicador de bloqueo del panel de control. Para salir de este modo, vuelve a pulsar el botón (3) durante 5 segundos, hasta que se apague el indicador. Una vez seleccionado, los demás botones se bloquean.

### • Indicador de calidad del aire

El círculo de luz que rodea el botón encender/apagar indica la calidad del aire. El indicador de calidad del aire (7) se encuentra en el "Panel de control (A)" del aparato. El LED indicará el nivel de calidad del aire:

Calidad del aire	Color del nivel de calidad del aire
Excelente	Azul
Contaminación ligera	Verde
Contaminación moderada	Amarillo
Contaminación elevada	Rojo

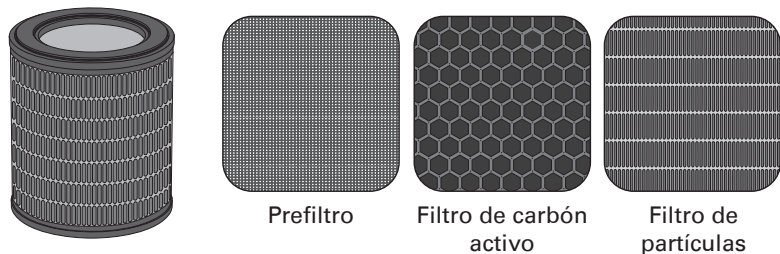
## CUIDADO Y MANTENIMIENTO

Antes de realizar cualquier trabajo de mantenimiento, apaga siempre el purificador de aire con el «botón encender/apagar (1)» y desenchúfalo. Utiliza un paño húmedo para limpiar la superficie del producto.

**Importante: No utilices materiales abrasivos, ya que podrían dañar la superficie del producto.**

## FILTRO

Este aparato está equipado con 3 tipos de filtros:



**Frecuencia de limpieza/sustitución del filtro:**

Filtro	Acción	Ciclos
Prefiltro	Limpiar (quitar polvo)	Cada 2-4 semanas
Prefiltro 3 en 1, Filtro Allergy+, carbón activo	Sustituir	Cada 12 meses o cuando se ilumine el indicador de cambio de filtro

La frecuencia recomendada para sustituir el filtro puede variar en función de la duración del uso y del entorno de funcionamiento.

### IMPORTANTE:

El indicador de cambio de filtro (6) se ilumina cuando es necesario reemplazar el filtro. Una vez que se haya reemplazado el filtro, mantén presionado el botón durante 5 segundos.

### Restablecimiento forzoso:

Si has reemplazado el filtro antes de que finalice su vida útil, fuerza el restablecimiento del ciclo de filtro:

1. Mantén presionado el indicador de cambio de filtro (6) durante 5 segundos.
2. El indicador está encendido. Mantén presionado el botón durante 5 segundos para restablecer el ciclo del filtro.



### «CONSEJOS PARA CAMBIAR EL FILTRO»

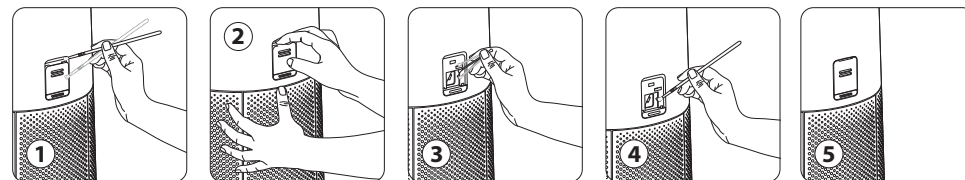
- Evita manipular los filtros usados si padeces alergia o asma.
- Usa guantes cuando cambies los filtros o lávate bien las manos después.
- Coloca los filtros usados directamente en una bolsa cerrada y hermética antes de desecharlos para evitar la propagación de contaminantes.

## SENSOR DE CONTAMINACIÓN

El sensor de partículas debe limpiarse con regularidad (cada 2 meses) y de forma adecuada.

**No olvides apagar y desenchufar el aparato antes de limpiar los sensores de contaminación. Además, sigue las siguientes recomendaciones:**

1. Limpia la entrada y la salida de aire con un cepillo o un paño suave.
2. Abre la tapa del sensor de la parte posterior del aparato.
3. Humedece ligeramente un bastoncillo y retira el polvo de la lente y de la entrada/salida. Limpia con un bastoncillo seco.
4. Limpia el sensor con un cepillo suave o una aspiradora.
5. Sustituye la cubierta del sensor.



### IMPORTANTE:

- No utilices nunca detergente ni objetos metálicos para limpiar los sensores.
- La eficacia de los sensores puede verse reducida si no se limpian con regularidad.
- La frecuencia de limpieza varía en función del entorno de funcionamiento del aparato. Si se utiliza en un entorno polvoriento, deberás limpiar los sensores con más frecuencia.

ES

## ALMACENAMIENTO

Cuando no utilices el aparato, guárdalo en un lugar fresco y seco con una temperatura ambiente no superior a 35 °C y menos del 70 % de HR.

## EN CASO DE QUE SE PRODUZCA UN PROBLEMA

- No desmontes el aparato por ti mismo. Un aparato mal reparado puede ser peligroso para el usuario.
- Consulta la siguiente tabla de resolución de problemas antes de ponerte en contacto con el servicio técnico oficial:

Problema	Comprobación	Solución
<b>El aparato no se enciende.</b>	¿Está conectado el cable de alimentación?	Conecta el cable de alimentación a un enchufe con el voltaje correcto.
	¿Están apagados todos los elementos de la pantalla?	Pulsa el botón encender/apagar y selecciona la función deseada.
	¿Ha habido algún corte del suministro eléctrico?	Puedes utilizar el purificador una vez que se recupere el suministro. Comprueba que tu aparato no esté en Modo automático nocturno.
<b>El flujo de aire no cambia automáticamente.</b>	¿Está el aparato en modo manual?	Selecciona el modo de funcionamiento correcto.
<b>El flujo es mucho más débil que antes.</b>	¿Es necesario limpiar o sustituir el filtro?	Comprueba la frecuencia de sustitución del filtro; sustitúyelo si es necesario.
		Comprueba que el prefiltro no tenga polvo o límpialo si es necesario.
<b>Hay un olor desagradable procedente de la salida de aire.</b>	¿Sigue indicando la luz una mala calidad del aire?	Comprueba la frecuencia de sustitución del filtro; sustitúyelo si es necesario.
<b>El indicador de calidad del aire no cambia de color.</b>	¿La lente del sensor está cubierta de polvo?	Limpia la lente del sensor con un cepillo suave.

Problema	Comprobación	Solución
<b>El purificador no se conecta.</b>	¿El teléfono está conectado a la red Wi-Fi personal al principio del proceso?	Comprueba que estás conectado a la red Wi-Fi personal.
	¿Parece que el purificador no se conecta?	Comprueba que el purificador está correctamente enchufado y encendido.
	¿El indicador de Wi-Fi del purificador no parpadea?	Mantén pulsado el botón Wi-Fi durante 5 segundos.
	¿No ha funcionado el primer emparejamiento?	Reinicia el producto para volver a intentarlo.
	¿El teléfono está conectado a la red Wi-Fi pero no al purificador?	Asegúrate de que los dos dispositivos están lo suficientemente cerca uno de otro y cerca del router Wi-Fi.
	¿El teléfono no se conecta a la red Wi-Fi?	<ul style="list-style-type: none"> <li>• Comprueba que el router Wi-Fi está conectado a Internet.</li> <li>• Comprueba que la contraseña de Wi-Fi no ha cambiado.</li> </ul>
<b>¿Por qué no funciona el emparejamiento?</b>	Comprueba la compatibilidad: <a href="https://www.compatibility.groupeseb.com/CompatibilityList-Pureair-Rowenta.pdf">https://www.compatibility.groupeseb.com/CompatibilityList-Pureair-Rowenta.pdf</a>	Tipo de cifrado admitido: WPA_1/WPA_2, TTKP; PSK, AES Redes admitidas: 2,4 GHz

**IMPORTANTE: EN CASO DE ANOMALÍA O PÉRDIDA DE CONEXIÓN, DESENCHUFA EL PURIFICADOR DURANTE UNOS MINUTOS Y VUELVE A ENCHUFARLO.**

## GARANTÍA

No utilices el aparato y ponte en contacto con el servicio técnico oficial si:

- El aparato se ha caído.
- El aparato o el cable eléctrico están dañados.
- El aparato ya no funciona correctamente.
- Encontrarás una lista de centros de servicio técnico oficial en la tarjeta de garantía internacional de Rowenta. [www.rowenta.com](http://www.rowenta.com)

## RECICLAJE

### ¡¡ PARTICIPE EN LA CONSERVACIÓN DEL MEDIO AMBIENTE !!

- ① Su electrodoméstico contiene materiales recuperables y/o reciclables.
- ➡ Entréguelo al final de su vida útil, en un Centro de Recogida Específico o en uno de nuestros Servicios Oficiales Post Venta donde será tratado de forma adecuada

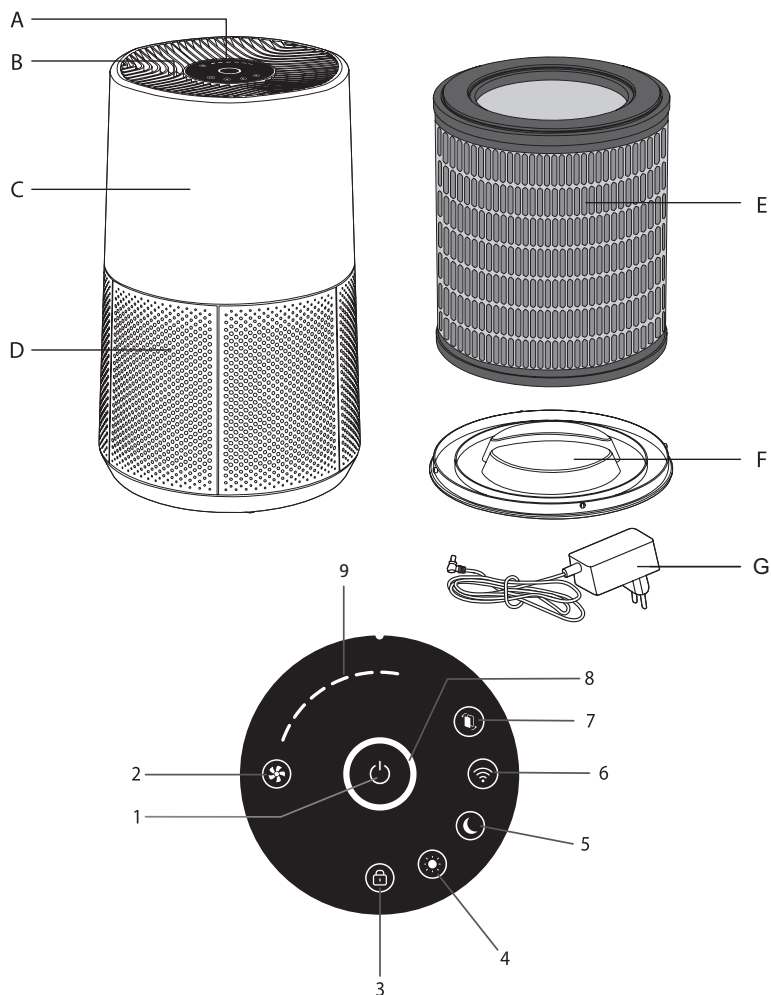
Puedes encontrar estas instrucciones también en nuestro sitio web, [www.rowenta.com](http://www.rowenta.com).

<b>DECLARACIÓN UE DE CONFORMIDAD SIMPLIFICADA</b>		
Por la presente, GROUPE SEB declara que el tipo de equipo radioeléctrico Purifier PU2840F0 es conforme con la Directiva 2014/53/UE.		
El texto completo de la declaración UE de conformidad está disponible en la dirección Internet siguiente: <a href="https://www.rowenta.es/eu-declaration-of-conformity">https://www.rowenta.es/eu-declaration-of-conformity</a>		
Bandas de frecuencias operadas: 2400-2483,50MHz (Wi-Fi & Bluetooth)		
Maxima potencia de radiofrecuencia:	Wi-Fi :	18 dBm
	Bluetooth :	8 dBm

## RESUMO

VISÃO GERAL DO PRODUTO	44
INSTRUÇÕES DE SEGURANÇA	45
MUITO IMPORTANTE	45
PRINCÍPIO DE FUNCIONAMENTO	46
DESMONTAR/VOLTAR A MONTAR OS FILTROS	47
ONDE INSTALAR O APARELHO	48
ANTES DA PRIMEIRA UTILIZAÇÃO	48
COMO LIGAR O PURIFICADOR À INTERNET	48
FUNCIONAMENTO	49
CUIDADOS E MANUTENÇÃO	49
ARRUMAÇÃO	51
EM CASO DE PROBLEMAS	51
GARANTIA	52
PROTECÇÃO DO AMBIENTE EM PRIMEIRO LUGAR!	52





## VISÃO GERAL DO PRODUTO

### Acessórios do corpo principal

- A. Painel de controlo
- B. Saída de ar
- C. Corpo principal
- D. Entrada de ar
- E. Filtro
- F. Tampa do filtro
- G. Adaptador

### Botões de controlo

- 1. Ligar/desligar
- 2. Seleção de velocidade
- 3. Bloqueio para crianças
- 4. Modo Dia automático
- 5. Modo Noite automático
- 6. Botão de Wi-Fi
- 7. Indicador de troca do filtro

### Luzes do painel de controlo

- 8. Indicador da qualidade do ar
- 9. Indicador da velocidade selecionada

**Leia atentamente as instruções de utilização e de segurança antes de utilizar o aparelho e guarde-as para futuras consultas.**

## INSTRUÇÕES DE SEGURANÇA

### AVISOS

É essencial que leia atentamente estas instruções e respeite as seguintes recomendações:

- Para a sua segurança, este aparelho está em conformidade com as normas e regulamentos aplicáveis (baixa tensão, compatibilidade eletromagnética, diretivas ambientais, etc.).
- Este aparelho não deve ser utilizado por pessoas (incluindo crianças) cujas capacidades físicas, sensoriais ou mentais sejam reduzidas, ou por pessoas com falta de experiência ou conhecimento, exceto se devidamente acompanhadas ou caso tenham recebido previamente instruções sobre a correta utilização do aparelho pela pessoa responsável pela sua segurança.
- As crianças devem ser supervisionadas para garantir que não brincam com o aparelho.
- O aparelho pode ser utilizado por crianças com mais de 8 anos e pessoas com falta de experiência ou conhecimento, ou capacidades físicas, sensoriais ou mentais reduzidas, desde que sejam supervisionadas, tenham recebido formação sobre o uso seguro do aparelho e estejam conscientes dos riscos envolvidos. As crianças não devem brincar com o aparelho.
- Se o cabo de alimentação estiver danificado, tem de ser substituído pelo fabricante, por um dos serviços de assistência técnica autorizados ou por uma pessoa com qualificações semelhantes, a fim de evitar situações de perigo para o utilizador.
- As crianças não devem limpar nem realizar a manutenção no aparelho sem supervisão.
- Para operações de manutenção, consulte a secção “manutenção”.
- Mantenha o aparelho e o respetivo cabo de alimentação fora do alcance de crianças com idade inferior a 8 anos.
- Este aparelho destina-se apenas a uso doméstico. Não deve ser utilizado para fins profissionais.
- Caso ocorram danos resultantes de uma utilização indevida, a garantia será anulada.
- Não utilize este aparelho em locais muito poeirentos e ou húmidos ou em locais onde haja perigo de incêndio.
- Antes de cada utilização, certifique-se sempre de que o aparelho, a ficha e o cabo de alimentação estão em bom estado.
- Nunca coloque objetos dentro do aparelho (p. ex., agulhas, etc.).
- Não puxe pelo cabo de alimentação nem pelo aparelho, mesmo quando pretende desligar a ficha da tomada.
- Desenrole totalmente o cabo antes de utilizar.

Se os pinos da ficha estiverem danificados, a ficha de alimentação deve ser eliminada.

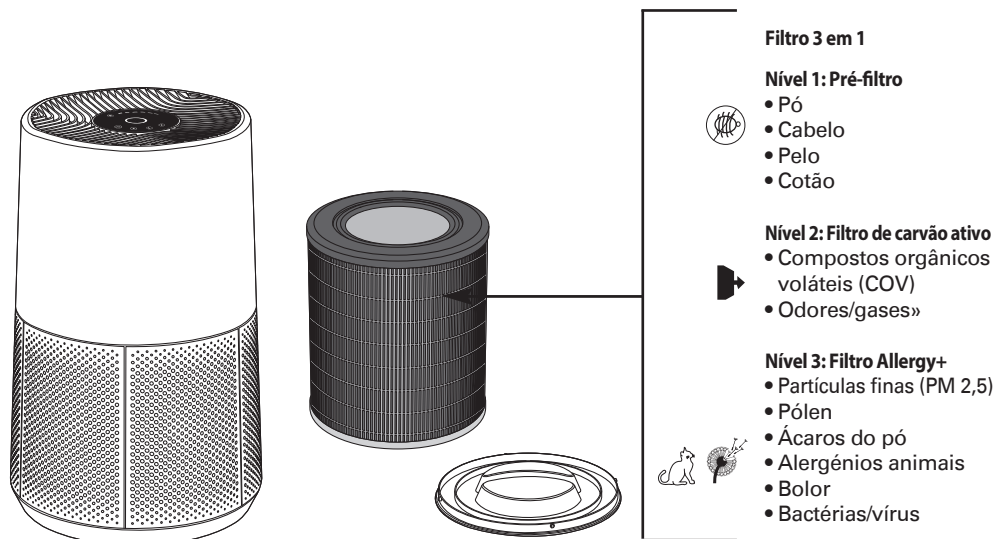
## MUITO IMPORTANTE

- **Não tape as grelhas de entrada ou saída de ar.**
- **Não toque no aparelho com as mãos húmidas.**
- **Nunca deixe qualquer líquido entrar no aparelho.**
- **Nunca utilize o aparelho num local húmido.**
- **Nunca utilize o aparelho perto de uma fonte de calor.**
- **Nunca coloque nada em cima do aparelho nem insira nada no seu interior.**
- **Nunca utilize o aparelho perto de objetos ou produtos inflamáveis (cortinas, aerossóis, solventes, etc.).**

- Nunca utilize o aparelho inclinado ou deitado. Coloque o aparelho sobre uma superfície plana estável.
- Em caso de ausência prolongada: desligue o aparelho e retire a ficha da tomada.
- Desligue o aparelho e retire a ficha da tomada antes de o deslocar.
- Desligue o purificador de ar da tomada durante a montagem e limpeza.

## PRINCÍPIO DE FUNCIONAMENTO

O Pure Air City permite-lhe respirar ar puro em sua casa e protege a sua saúde com até 3 níveis de filtragem, conforme descrito abaixo. Cada nível é essencial e captura poluentes específicos:

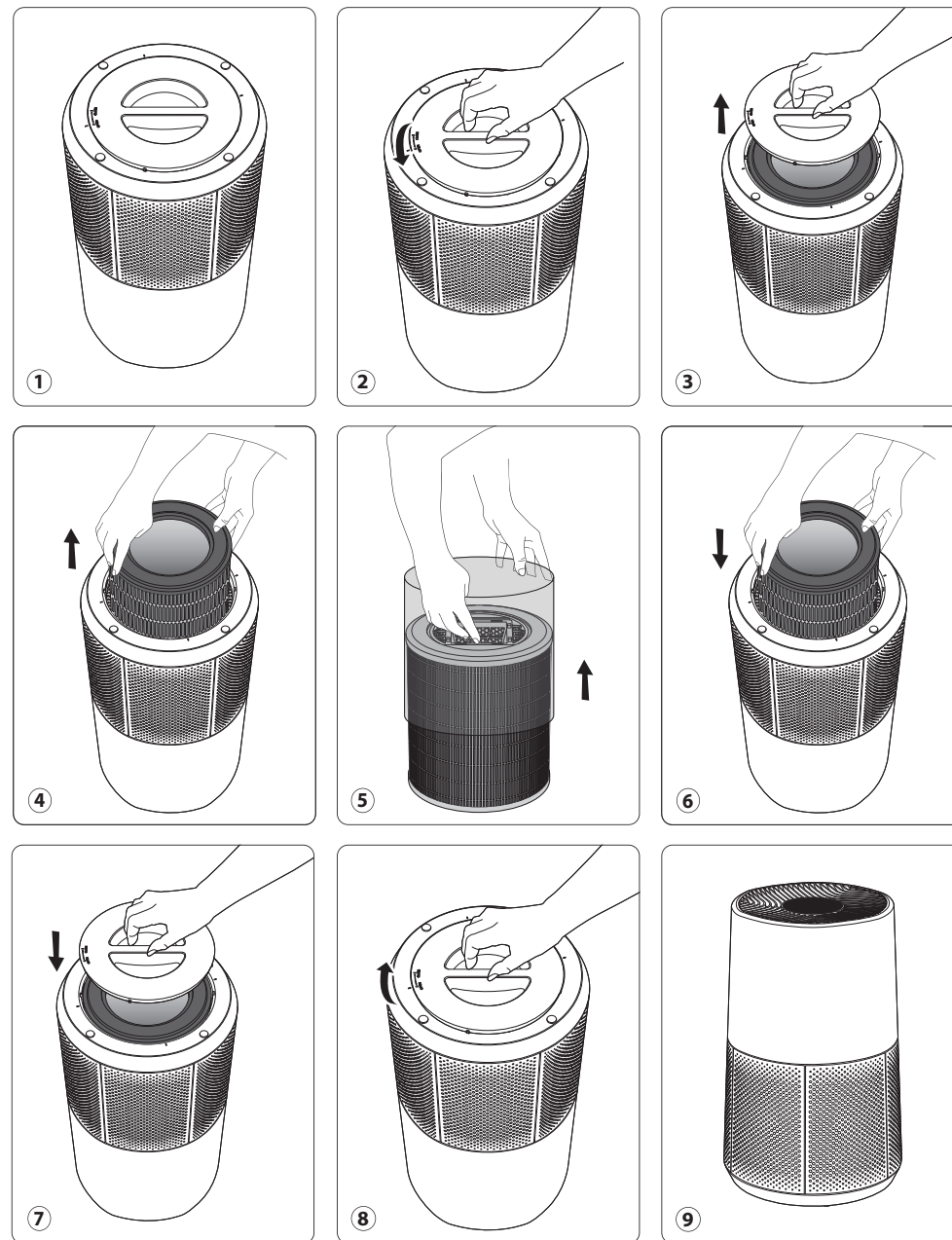


### «COMO ALCANÇAR UM AR INTERIOR MAIS LIMPO»

Como complemento do purificador Pure Air City, seguem-se algumas sugestões para melhorar a qualidade do ar interior:

- Ventile as divisões todos os dias durante, pelo menos, 10 min, no verão e no inverno
- Efetue manutenções ao seu sistema de ventilação
- Limite a utilização de produtos domésticos
- Não fume dentro de casa
- Evite fragrâncias, incensos, velas de cheiro, etc.
- Ventile a sua casa sempre que for realizado algum trabalho e, posteriormente, durante várias semanas
- Evite plantas verdes que sejam alergénicas ou que precisem de ser regadas frequentemente

## DESMONTAR/VOLTAR A MONTAR OS FILTROS



PT

## ONDE INSTALAR O APARELHO

Coloque o purificador numa superfície plana e estável na divisão que requer tratamento. Para permitir que o ar circule livremente, evite colocar o aparelho por trás de cortinados, por baixo de uma janela ou perto de quaisquer obstáculos. Deixe pelo menos 60 cm de espaço livre de cada lado do aparelho.

## ANTES DE UTILIZAR O APARELHO PELA PRIMEIRA VEZ

**Certifique-se de que todo o material da embalagem de plástico que protege os filtros foi removido antes de utilizar o aparelho.**

Antes da primeira utilização, certifique-se de que a tensão, a frequência e a potência do seu aparelho são adequadas para a alimentação elétrica de que dispõe.

O seu aparelho consegue funcionar com uma ficha sem ligação à terra. A fonte de alimentação externa é de classe II (duplo isolamento elétrico).

Antes de ligar o seu aparelho, certifique-se de que:

- o aparelho está completamente montado conforme descrito nas instruções de segurança;
- o aparelho está colocado numa superfície horizontal estável;
- o aparelho está posicionado de acordo com as instruções fornecidas neste manual;
- as grelhas de entrada e saída de ar estão completamente desobstruídas;
- os filtros e tampa foram instalados corretamente (consulte a secção «Desmontar/voltar a montar os filtros»).

**IMPORTANTE: recomendamos que desligue o aparelho e retire a ficha da tomada quando não estiver a ser utilizado.**

## COMO LIGAR O PURIFICADOR À INTERNET

Transfira a aplicação «Pure Air da Rowenta» e siga as instruções apresentadas no seu smartphone:

1. Registe-se para criar a sua conta Rowenta se não tiver uma. Ou inicie sessão na aplicação se já tiver uma conta.
2. Certifique-se de que fica perto do purificador durante o emparelhamento (distância máxima de 2 metros) e certifique-se de que o purificador está localizado perto de um sinal Wi-Fi forte.
3. Certifique-se de que o telemóvel está ligado à sua rede Wi-Fi.
4. Ligue o purificador e mantenha o botão de Wi-Fi pressionado durante 5 segundos (ouvirá o som «bip» e o indicador de Wi-Fi piscará para indicar que o purificador foi ligado com êxito ao Wi-Fi.)
5. Escolha a sua rede Wi-Fi e introduza a palavra-passe da rede para estabelecer ligação à rede Wi-Fi local.
6. E já está!

O indicador de Wi-Fi acende-se para indicar que o purificador foi ligado com sucesso à aplicação Pure Air da Rowenta.

## Função de Wi-Fi

Para iniciar um novo emparelhamento, prima o botão de Wi-Fi  durante 5 segundos.

- Quando a luz está acesa, o aparelho está emparelhado/ligado.
- Quando a luz pisca rapidamente e depois lentamente, o aparelho está a emparelhar/a ligar-se aos servidores de Wi-Fi.
- Quando a luz está apagada, o aparelho não está ligado.

## Problemas de ligação

Em caso de problemas de emparelhamento entre o aparelho e a sua rede Wi-Fi doméstica, consulte as informações listadas na seguinte ligação:

<https://www.compatibility.groupeseb.com/CompatibilityList-Pureair-Rowenta.pdf>

<https://www.compatibility.groupeseb.com/CompatibilityList-Pureair-Tefal.pdf>

## FUNCIONAMENTO

Para obter o melhor efeito de purificação, seu purificador deve estar a mais de 60 cm de distância da parede.

«Ligar/desligar (1)» 

– Prima este botão para ligar ou desligar o purificador de ar

«Seleção de velocidade (2)» 

– Pode selecionar manualmente a velocidade de filtração, da velocidade 1 à velocidade 6.

«Botão do modo Dia automático (4)» 

– A velocidade de filtração é definida para a velocidade 2, velocidade 4 ou velocidade 5 de acordo com o nível de qualidade do ar.

– Se o nível de qualidade do ar for excelente, o dispositivo não inicia a filtração.

«Modo de repouso (5)» 

– A velocidade de filtração é definida para a velocidade 1, velocidade 4 ou velocidade 3 de acordo com o nível de qualidade do ar.

– Se o nível de qualidade do ar for excelente, o dispositivo não inicia a filtração.

– As luzes do dispositivo se apagam automaticamente após 5 segundos. Para voltar a ligar o painel de controlo, prima um dos botões.

«Bloqueio para crianças (3)» 

– O sistema de bloqueio evita que o purificador seja desconfigurado acidentalmente durante o funcionamento.

– Para o ativar, prima o botão (3) durante 5 segundos até o indicador do painel de controlo bloqueado se acender. Para sair deste modo, prima novamente o botão (3) durante 5 segundos, até o indicador se apagar. Enquanto estiver selecionado, os outros botões ficam bloqueados.

### • Indicação da qualidade do ar

O indicador da qualidade do ar é o círculo de luz à volta do botão de ligar/desligar. O indicador da qualidade do ar (7) está localizado no «Painel de controlo (A)» do aparelho. O LED indica o nível de qualidade do ar:

Qualidade do ar	Cor do nível de qualidade do ar
Excelente	Azul
Poluição ligeira	Verde
Poluição moderada	Amarelo
Poluição elevada	Vermelho

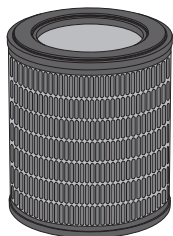
## CUIDADOS E MANUTENÇÃO

Antes de efetuar qualquer tarefa de manutenção, desligue sempre o purificador de ar utilizando o «botão de ligar/desligar (1)» e retire a ficha da tomada. Utilize um pano húmido para limpar a superfície do produto.

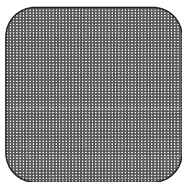
**Importante: Não utilize quaisquer materiais abrasivos, pois podem danificar a superfície do produto.**

## FILTRO

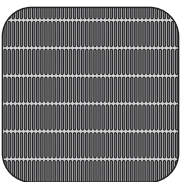
Este aparelho está equipado com filtros de 3 tipos diferentes:



Pré-filtro



Filtro de carvão ativo



Filtro de partículas

Frequência de limpeza/substituição do filtro:

Filtro	Ação	Ciclos
Pré-filtro	Limpar (remover pó)	A cada 2 a 4 semanas
Filtro 3 em 1 com pré-filtro, filtro Allergy+, filtro de carvão ativo	Substituir	A cada 12 meses ou quando o indicador de troca do filtro se acender

A frequência recomendada para a substituição do filtro pode variar consoante a duração da utilização e o ambiente de funcionamento.

### IMPORTANTE:

o indicador de mudança do filtro (6) acende-se quando é necessário substituir o filtro. Depois de substituir o filtro, mantenha o botão premido durante 5 segundos.

### Reiniciar forçado:

se tiver substituído o filtro antes do fim da sua vida útil, force o reiniciar do ciclo do filtro:

1. Mantenha o indicador de mudança do filtro (6) premido durante 5 segundos.
2. O indicador acende-se. Mantenha o botão premido durante 5 segundos para repor o ciclo do filtro.



### «DICAS PARA SUBSTITUIR OS FILTROS»

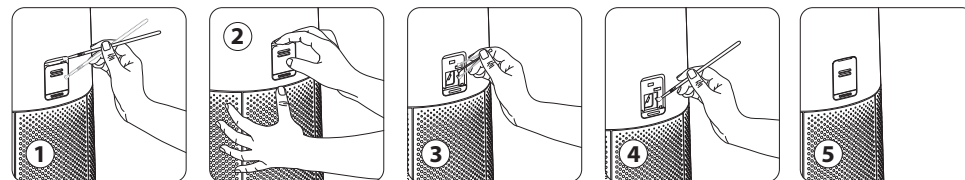
- Evite manusear os filtros usados se sofrer de alergias ou asma.
- Utilize luvas para substituir os filtros ou lave bem as mãos depois da substituição.
- Coloque os filtros usados diretamente num saco fechado e hermético antes de os deitar fora para evitar a propagação de poluentes.

## SENSOR DE POLUIÇÃO

O sensor de partículas tem de ser limpo regularmente (a cada 2 meses) e minuciosamente.

**Certifique-se de que desliga o aparelho e retira a ficha da tomada antes de limpar os sensores de poluição e siga as recomendações abaixo:**

1. Limpe a entrada e a saída de ar com uma escova macia ou um pano.
2. Abra a tampa do sensor, situada na parte de trás do aparelho.
3. Passe um cotonete ligeiramente humedecido e remova qualquer pó que esteja na lente e na entrada/saída. Limpe com um cotonete seco.
4. Limpe o sensor com uma escova macia ou um aspirador.
5. Coloque novamente a tampa do sensor



### IMPORTANTE:

- Nunca utilize um detergente ou objeto de metal para limpar os sensores.
- A eficiência dos sensores pode ser reduzida caso não sejam limpos regularmente.
- A frequência de limpeza varia dependendo do ambiente de funcionamento do aparelho. Se for utilizado num ambiente poeirento, limpe os sensores com maior frequência.

## ARRUMAÇÃO

Quando o aparelho não estiver a ser utilizado, guarde-o num local fresco e seco com uma temperatura ambiente igual ou inferior a 35 °C e 70% de HR.

## EM CASO DE PROBLEMAS

- Não desmonte o aparelho sozinho. Um aparelho mal reparado pode ser perigoso para o utilizador.
- Verifique a tabela de resolução de problemas abaixo antes de contactar um Serviço de Assistência Técnica Autorizado:

Problema	Verifique	Solução
<b>O aparelho não liga.</b>	O cabo de alimentação está ligado à corrente?	Ligue o cabo de alimentação a uma ficha com a tensão correta.
	Todos os elementos de visualização estão desligados?	Prima o botão de ligar/desligar e selecione a função pretendida.
	Houve uma falha de energia?	Pode utilizar o purificador assim que a energia for restaurada. Verifique se o seu aparelho não está no modo noturno automático.
<b>O fluxo de ar não muda automaticamente.</b>	O aparelho está no modo manual?	Selecione o modo de funcionamento correto.
<b>O fluxo é muito mais fraco do que antes.</b>	O filtro precisa de ser limpo ou substituído?	Verifique as frequências de substituição do filtro e substitua-o se necessário.
		Verifique se o pré-filtro não tem pó e, se necessário, limpe-o.
<b>É libertado um odor desagradável da saída de ar.</b>	A luz continua a indicar fraca qualidade do ar?	Verifique as frequências de substituição do filtro e substitua-o se necessário.
<b>O indicador da qualidade do ar não muda de cor.</b>	A lente do sensor está coberta de pó?	Limpe a lente do sensor com uma escova macia.

PT

Problema	Verifique	Solução
<b>O purificador não se liga ao Wi-Fi</b>	O seu telemóvel estava ligado à sua rede Wi-Fi pessoal no início do processo?	Verifique se está ligado à sua rede Wi-Fi pessoal.
	O purificador não se liga ao Wi-Fi?	Verifique se o purificador está ligado à corrente e ativado.
	O LED do Wi-Fi do purificador não está a piscar?	Mantenha o botão de Wi-Fi premido durante 5 segundos.
	O primeiro emparelhamento não funcionou?	Reinicie o aparelho para tentar novamente.
	O seu telemóvel está ligado ao Wi-Fi, mas não ao purificador?	Certifique-se de que os dois dispositivos estão suficientemente próximos um do outro e perto do router de Wi-Fi.
	O seu telemóvel não se está a ligar ao Wi-Fi?	<ul style="list-style-type: none"> <li>• Verifique se o router de Wi-Fi está ligado à Internet</li> <li>• Verifique se a palavra-passe do Wi-Fi não foi alterada</li> </ul>
<b>Por que é que o emparelhamento não funcionou?</b>	Verifique a compatibilidade: <a href="https://www.compatibility.groupeseb.com/CompatibilityList-Pureair-Rowenta.pdf">https://www.compatibility.groupeseb.com/CompatibilityList-Pureair-Rowenta.pdf</a>	Tipo de encriptação suportada: WPA_1/WPA_2, TPK; PSK, AES Redes suportadas: 2,4 GHz

**IMPORTANTE: EM CASO DE ANOMALIA OU PERDA DE LIGAÇÃO, DESLIGUE O PURIFICADOR DA CORRENTE DURANTE ALGUNS MINUTOS E DEPOIS VOLTE A LIGÁ-LO.**

## GARANTIA

Não utilize o aparelho e contacte o Serviço de Assistência Técnica Autorizado caso:

- o aparelho tenha caído;
- o aparelho ou o cabo de alimentação estejam danificados;
- o aparelho já não funcione corretamente.
- Poderá encontrar uma lista de Serviços de Assistência Técnica Autorizados no folheto de garantia internacional da Rowenta. [www.rowenta.com](http://www.rowenta.com)

## RECICLAGEM

### PROTECÇÃO DO AMBIENTE EM PRIMEIRO LUGAR!



- ① O seu produto contém materiais que podem ser recuperados ou reciclados.
- ➡ Entregue-o num ponto de recolha para possibilitar o seu tratamento

Poderá encontrar estas instruções também no nosso site, [www.rowenta.pt](http://www.rowenta.pt)

#### DECLARAÇÃO UE DE CONFORMIDADE SIMPLIFICADA

O(a) abaixo assinado(a) GROUPE SEB declara que o presente tipo de equipamento de rádio Purifier PU2840F0 está em conformidade com a Diretiva 2014/53/UE.

O texto integral da declaração de conformidade está disponível no seguinte endereço de Internet: <https://www.rowenta.pt/eu-declaration-of-conformity>

Bandas de frequência utilizadas: 2400-2483,50MHz (Wi-Fi & Bluetooth)

Potência máxima de radiofrequência:

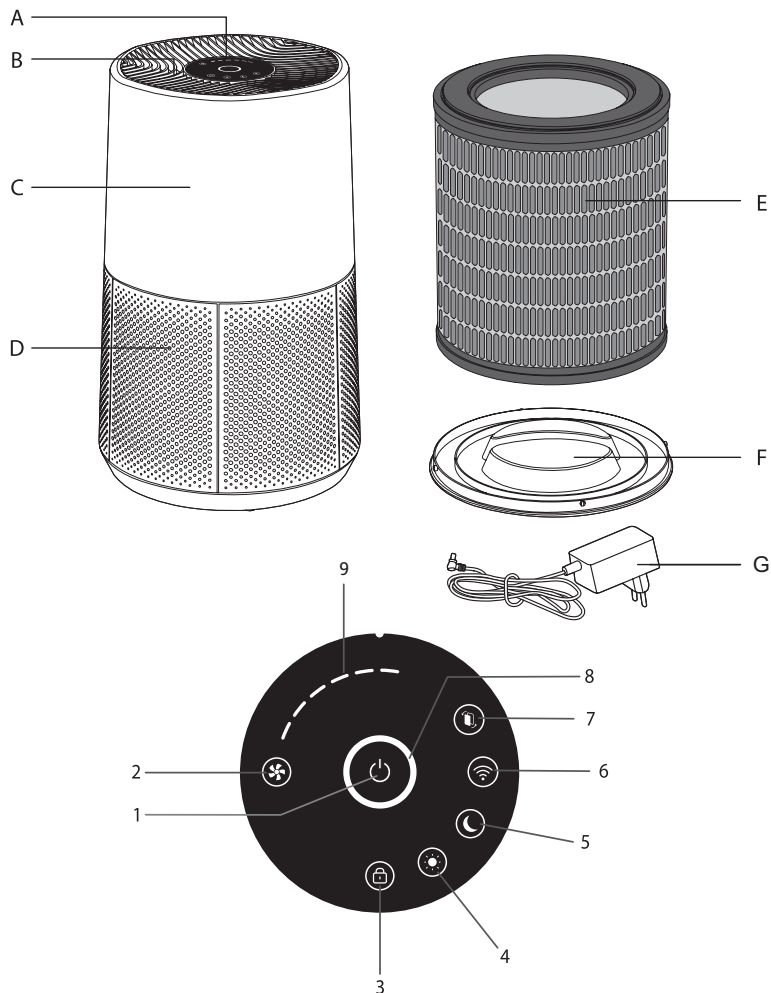
Wi-Fi :	18 dBm
Bluetooth :	8 dBm



## **SAMENVATTING**

PRODUCTOVERZICHT	54
VEILIGHEIDSINSTRUCTIES	55
ZEER BELANGRIJK	55
WERKINGSPRINCIPE	56
DEMONTEREN/OPNIEUW MONTEREN VAN FILTERS	57
WAAR HET APPARAAT MOET WORDEN GEINSTALLEERD	58
VOOR HET EERSTE GEBRUIK	58
VERBINDEN VAN DE LUCHTREINIGER MET INTERNET	58
BEDIENING	59
ONDERHOUD	59
OPSLAG	61
IN HET GEVAL VAN EEN PROBLEEM	61
GARANTIE	62
WEES VRIENDELIJK VOOR HET MILIEU !	62





## PRODUCTOVERZICHT

### Accessoires van hoofdbehuizing

- A. Bedieningspaneel
- B. Luchtuitlaat
- C. Hoofdbehuizing
- D. Luchtinlaat
- E. Filter
- F. Filterdeksel
- G. Adapter

### Bedieningsknoppen

- 1. Start/Stop
- 2. Selectie snelheid
- 3. Kinderslot
- 4. Automatische dagmodus
- 5. Automatische nachtmodus
- 6. Wifi-knop
- 7. Indicator voor filtervervanging

### Verlichting op het bedieningspaneel

- 8. Luchtkwaliteitsindicator
- 9. Indicator geselecteerde snelheid

**Lees de gebruiksaanwijzing en de veiligheidsinstructies zorgvuldig door voordat u het apparaat gaat gebruiken en bewaar ze om ze indien nodig te kunnen raadplegen.**

## VEILIGHEIDSINSTRUCTIES

### WAARSCHUWINGEN

Het is van essentieel belang dat u deze instructies zorgvuldig doorleest en de volgende aanbevelingen in acht neemt:

- Voor uw veiligheid voldoet dit toestel aan de geldende normen en voorschriften (richtlijnen met betrekking tot lage voltages, elektromagnetische compatibiliteit, milieu enz.)
- Dit apparaat mag niet gebruikt worden door mensen (onder wie kinderen) met verminderde fysieke, zintuiglijke of geestelijke vermogens of door mensen die niet over voldoende ervaring en kennis beschikken, tenzij er toezicht op hen wordt gehouden of zij instructies hebben gekregen over het gebruik van het apparaat door een persoon die verantwoordelijk is voor hun veiligheid.
- Let er op dat kinderen niet met het apparaat spelen.
- Het apparaat kan worden gebruikt door kinderen van 8 jaar en ouder en personen die geen ervaring of kennis hebben of verminderde fysieke, zintuiglijke of mentale capaciteiten, op voorwaarde dat er toezicht op ze wordt gehouden en ze zijn opgeleid om het apparaat veilig te gebruiken en zich bewust zijn van de risico's ervan. Laat kinderen niet met het apparaat spelen.
- Indien het snoer is beschadigd, kunt u gevaarlijke situaties voorkomen door het te laten vervangen door de fabrikant, het aftersalescentrum of iemand met vergelijkbare kwalificaties.
- Het apparaat mag niet door kinderen worden gereinigd of onderhouden, tenzij er toezicht op hen wordt gehouden.
- Raadpleeg voor onderhoudswerkzaamheden het hoofdstuk «»onderhoud»».
- Houd het apparaat en het netsnoer buiten het bereik van kinderen jonger dan 8 jaar.
- Dit apparaat is uitsluitend ontworpen voor huishoudelijk gebruik. Het mag niet voor industriële doeleinden worden gebruikt.
- De garantie komt te vervallen als er schade ontstaat als gevolg van onjuist gebruik.
- Gebruik dit apparaat niet op een zeer stoffige en/of vochtige plaats of op een plaats waar brandgevaar bestaat.
- Controleer voor gebruik altijd of het apparaat, de stekker en het netsnoer in goede staat verkeren.
- Steek nooit voorwerpen in het apparaat (bijv. naalden).
- Trek niet aan het netsnoer of het apparaat, zelfs niet om de stekker uit het stopcontact te halen.
- Draai het snoer voor gebruik volledig los.

Als de pennen van de stekkers beschadigd zijn, moet de stekker uit het stopcontact gehaald worden.

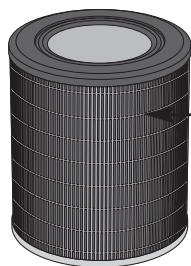
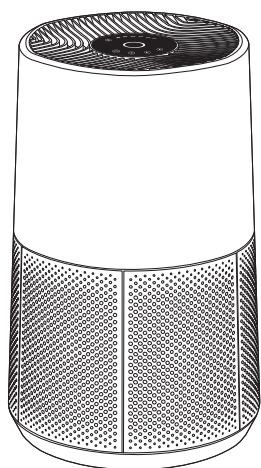
## ZEER BELANGRIJK

- **Dek de luchtinlaten en het uitblaasrooster niet af.**
- **Raak het apparaat niet met natte handen aan.**
- **Laat nooit vloeistof in het apparaat komen.**
- **Gebruik het apparaat nooit in een vochtige omgeving.**
- **Gebruik het apparaat nooit in de buurt van een warmtebron.**

- Plaats niets op het apparaat en steek er niets in.
- Gebruik het apparaat niet in de buurt van ontvlambare voorwerpen of producten (gordijnen, spuitbussen, oplosmiddelen, enz.).
- Gebruik het apparaat nooit in een schuine of horizontale stand. Plaats het apparaat op een vlakke en stabiele ondergrond.
- In het geval van langdurige afwezigheid: schakel het apparaat uit en haal de stekker uit het stopcontact.
- Schakel het apparaat uit en haal de stekker uit het stopcontact voordat u het verplaatst.
- Tijdens de montage en de reiniging moet de stekker van de luchtreiniger uit het stopcontact worden gehaald.

## WERKINGSPRINCIPE

Met Pure Air City kunt u zuivere lucht in huis inademen en uw gezondheid beschermen met tot 3 filtratieniveaus, zoals hieronder beschreven. Elk niveau is essentieel en houdt specifieke vervuulende stoffen tegen:



### 3-in-1 filter



#### Niveau 1: Voorfilter

- Stof
- Haar
- Huisdierharen
- Pluizen



#### Niveau 2: Actief koolstoffilter

- Vluchtige organische verbindingen (VOC's)
- Geuren/gassen

#### Niveau 3: Allergie+ filter

- Fijne deeltjes (PM2.5)
- Pollen
- Huisstofmijt
- Dierlijke allergenen
- Schimmel
- Bacteriën/virussen



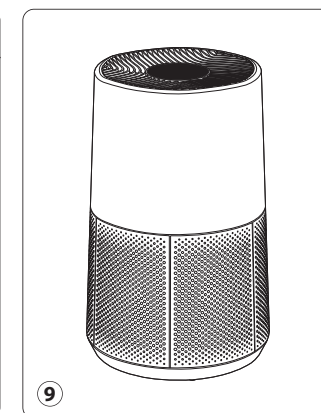
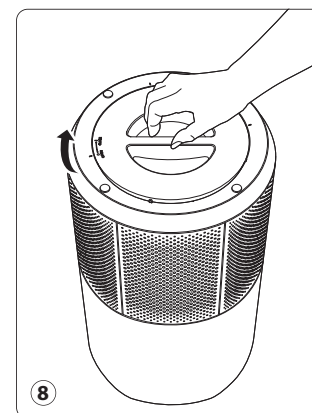
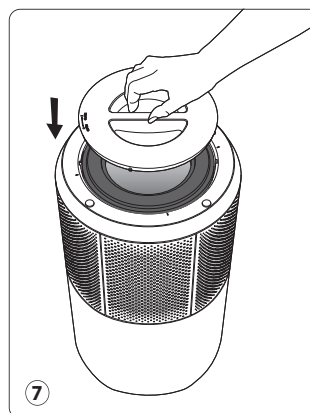
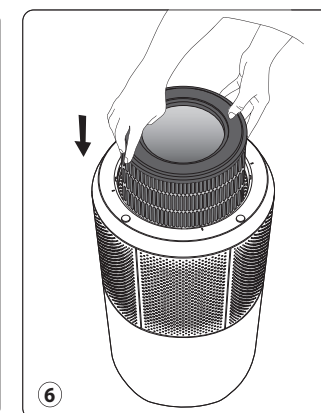
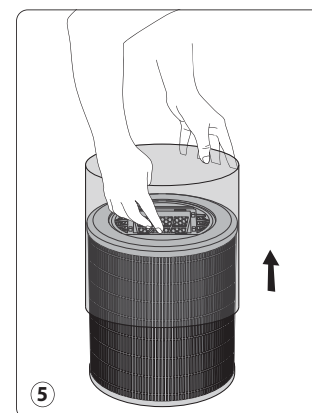
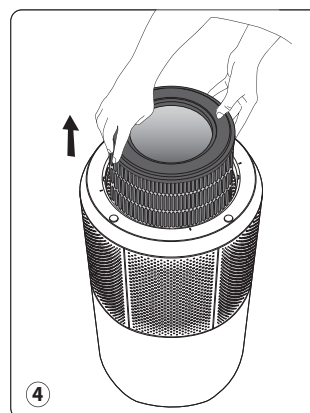
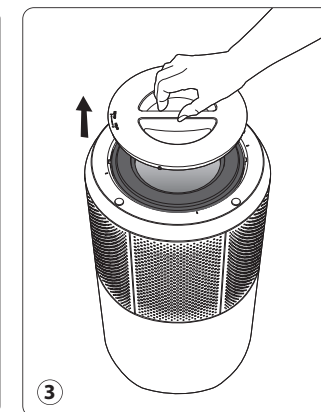
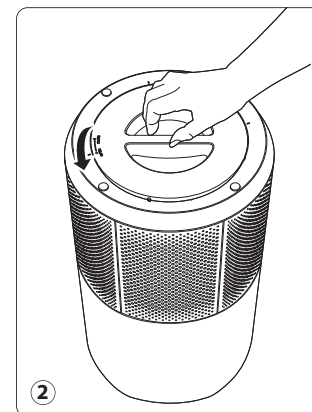
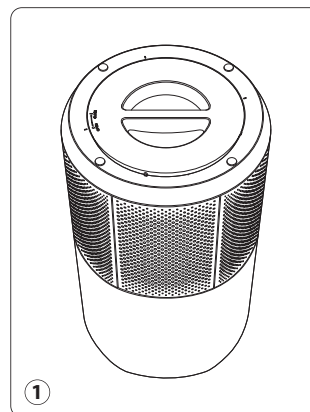
## «HOE KUNT U SCHONERE LUCHT BINNENSHUIS KRIJGEN»



Naast het gebruik van uw Pure Air City vindt u hier enkele tips voor het verbeteren van de luchtkwaliteit binnenshuis:

- Ventileer de kamers elke dag minstens 10 minuten, zowel in de zomer als winter
- Onderhoud uw ventilatiesysteem
- Beperk het gebruik van huishoudelijke producten
- Rook niet binnenshuis
- Vermijd huisparfums, wierookstokjes, geurkaarsen, enz.
- Ventileer wanneer er werkzaamheden in uw huis worden uitgevoerd en gedurende enkele weken daarna
- Vermijd groene planten die allergen zijn of veel water moeten krijgen

## FILTERS DEMONTEREN / OPNIEUW MONTEREN



NL

## WAAR HET APPARAAT MOET WORDEN GEïNSTALLEERD

Plaats de luchtreiniger op een vlakke, stabiele ondergrond in de kamer die moet worden behandeld. Om de lucht vrij te laten circuleren dient u het apparaat niet achter gordijnen, onder een raam of dicht bij een ander obstakel te plaatsen, en aan beide zijden van het apparaat ten minste 60 cm ruimte vrij te laten.

## VOORDAT U HET APPARAAT VOOR DE EERSTE KEER GEBRUIKT

**Zorg ervoor dat de plastic verpakking ter bescherming van de filters is verwijderd voordat u het apparaat gebruikt.**

Controleer vóór het eerste gebruik of de spanning, frequentie en het vermogen van uw apparaat geschikt zijn voor uw stroomvoorziening.

Het apparaat werkt met een niet-geaarde stekker. EPS is een klasse II (dubbele elektrische isolatie).

Controleer het volgende voordat u het apparaat inschakelt:

- het apparaat is volledig gemonteerd zoals beschreven in de veiligheidsinstructies,
- het apparaat is op een stabiele, horizontale ondergrond geplaatst,
- het apparaat is geplaatst volgens de instructies in deze handleiding,
- de luchtinlaten en het uitlaatrooster zijn volledig vrij,
- de filters en het filterdeksel zijn correct geïnstalleerd (zie het hoofdstuk 'filter demonteren/monteren')

**BELANGRIJK: Wij raden u aan het apparaat uit te schakelen en de stekker uit het stopcontact te halen als u het niet gebruikt.**

## VERBINDEN VAN DE LUCHTREINIGER MET INTERNET

Download de app "Pure Air by Rowenta" en volg de instructies op uw smartphone:

1. Meld u aan om uw Rowenta-account te maken als u nieuw bent. Of meld u aan bij de app als u al een account hebt.
2. Zorg ervoor dat u tijdens het koppelen dicht bij de luchtreiniger staat (maximaal 2 meter) en dat de luchtreiniger zich in de buurt van een sterk wifi-sigitaal bevindt.
3. Zorg ervoor dat uw telefoon is verbonden met uw lokale wifinetwerk.
4. Schakel uw luchtreiniger in en houd de wifi-knop 5 seconden ingedrukt (u hoort een «ding»-geluid en de wifi-indicator knippert om aan te geven dat uw luchtreiniger succesvol met wifi is verbonden).
5. Kies uw wifinetwerk en voer het netwerkwoord in om verbinding te maken met uw lokale wifinetwerk.
6. En u bent klaar!

De wifi-indicator gaat branden om aan te geven dat uw luchtreiniger is verbonden met uw Pure Air by Rowenta-app.

## Wifi-functie

Druk gedurende 5 seconden op de Wifi-knop  om een nieuwe koppeling te starten.

- Als het lampje brandt, is het product gekoppeld/verbonden.
- Als het lampje eerst snel en vervolgens langzaam knippert, is het product bezig met koppelen/verbinding maken met de wifi-servers.
- Als het lampje uit is, is het product niet verbonden.

## Verbindingsproblemen

Als er problemen zijn met het koppelen tussen het apparaat en uw wifi-thuisnetwerk, raadpleegt u de informatie vermeld op de volgende link:

<https://www.compatibility.groupeseb.com/CompatibilityList-Pureair-Rowenta.pdf>


<https://www.compatibility.groupeseb.com/CompatibilityList-Pureair-Tefal.pdf>

## BEDIENING


Om het beste zuiveringseffect te bereiken, moet uw luchtreiniger meer dan 60 cm van de muur verwijderd zijn.

Aan/uit "Start/Stop (1)" 

- Druk op deze knop om de luchtreiniger in/uit te schakelen

"Snelheid selecteren (2)" 

- U kunt de zuiveringssnelheid handmatig instellen op stand 1 tot 6.

"Knop Automatische dagmodus (4)" 

- De zuiveringssnelheid is ingesteld op stand 2, 4 of 5, afhankelijk van het luchtkwaliteitsniveau.  
- Het apparaat werkt niet bij een uitstekend luchtkwaliteitsniveau.

"Slaapstand (5)" 

- De zuiveringssnelheid is ingesteld op stand 1, 2 of 3, afhankelijk van het luchtkwaliteitsniveau.  
- Het apparaat werkt niet bij een uitstekend luchtkwaliteitsniveau.  
- De lampjes op het apparaat gaan na 5 seconden automatisch uit. Druk op een van de knoppen om het bedieningspaneel weer in te schakelen.

"Kinderslot (3)" 

- Het vergrendelsysteem voorkomt dat de luchtreiniger per ongeluk verkeerd wordt ingesteld tijdens het gebruik.  
- Om deze functie te activeren, houdt u de knop (3) gedurende 5 seconden ingedrukt totdat het controlelampje van het vergrendelde bedieningspaneel gaat branden.  
Om deze modus af te sluiten, drukt u nogmaals 5 seconden op de knop (3), totdat het controlelampje uitgaat. Als deze optie is geselecteerd, zijn de andere knoppen vergrendeld.

### • Indicatie van luchtkwaliteit

De luchtkwaliteitsindicator is het lampje rond de start-/stopknop. De luchtkwaliteitsindicator (7) bevindt zich op het "Bedieningspaneel (A)" van het apparaat. De LED geeft het luchtkwaliteitsniveau aan:

Luchtkwaliteit	Kleur luchtkwaliteitsniveau
Uitstekend	Blauw
Lichte vervuiling	Groen
Matige vervuiling	Geel
Hoge vervuiling	Rood

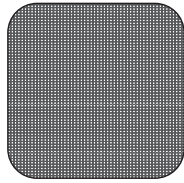
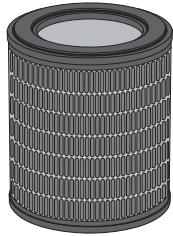
## ONDERHOUD

**Schakel de luchtreiniger altijd uit met de «start-/stopknop(1)» en haal de stekker uit het stopcontact voordat u onderhoudswerkzaamheden uitvoert. Gebruik een vochtige doek om het oppervlak van het product schoon te maken.**

**Belangrijk: Gebruik geen schuurmiddelen, omdat deze het oppervlak van het product kunnen beschadigen.**

## FILTER

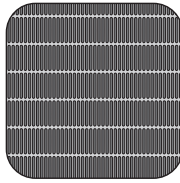
Dit apparaat is uitgerust met 3 typen filters:



Voorfilter



Actieve  
koolstoffilter



Deeltjesfilter

Frequentie van het reinigen/vervangen van het filter:

Filter	Actie	Cycli
Voorfilter	Schoonmaken (stof verwijderen)	Elke 2 tot 4 weken
3-in-1 voorfilter, allergie + filter, actieve koolstof	Vervangen	Om de 12 maanden of wanneer de indicator voor filtervervangings brandt

De aanbevolen frequentie voor het vervangen van het filter kan variëren, afhankelijk van de gebruiksduur en de gebruiksomgeving.

### BELANGRIJK:

De filtervervangingsindicator (6) brandt wanneer het filter moet worden vervangen. Zodra het filter is vervangen, houdt u de knop 5 seconden ingedrukt.

### Geforceerde reset:

Als u het filter voor het einde van de levensduur hebt vervangen, moet u de filtercyclus geforceerd opnieuw instellen:

1. Houd de indicator voor filtervervangings (6) 5 seconden ingedrukt.
2. De lichtindicator brandt. Houd de knop 5 seconden ingedrukt om de filtercyclus te resetten.



### «TIPS VOOR HET VERVANGEN VAN FILTERS»

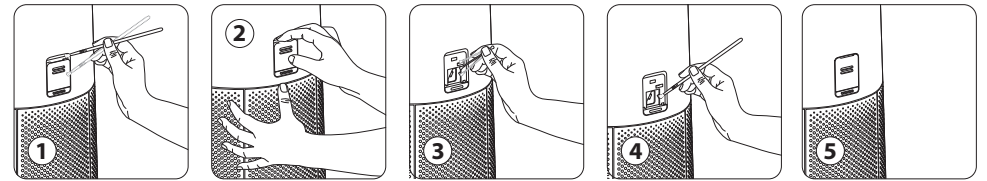
- Vermijd contact met gebruikte filters als u lijdt aan allergieën of astma.
- Draag handschoenen bij het vervangen van de filters of was uw handen goed na het vervangen.
- Plaats gebruikte filters direct in een gesloten, luchtdichte zak voordat u ze weggooit om te voorkomen dat verontreinigende stoffen zich verspreiden.

## VERVUILINGSSENSOR

De deeltjessensor moet regelmatig (elke 2 maanden) en op de juiste wijze worden gereinigd.

Schakel het apparaat uit en haal de stekker uit het stopcontact voordat u de vervuilingssensoren schoonmaakt. Volg de onderstaande aanbevelingen:

1. Reinig de luchtinlaat en -uitlaat met een zachte borstel of doek.
2. Open het sensorklepje aan de achterkant van het apparaat.
3. Bevochtig een wattenstaafje licht en verwijder eventueel stof van de lens en de inlaat/uitlaat. Veeg af met een droog wattenstaafje.
4. Maak de sensor schoon met een zachte borstel of stofzuiger.
5. Plaats het sensorklepje terug.



### BELANGRIJK:

- Gebruik nooit een reinigingsmiddel of metalen voorwerp om de sensoren schoon te maken.
- De efficiëntie van de sensoren kan afnemen als ze niet regelmatig worden gereinigd.
- De schoonmaakfrequentie is afhankelijk van de gebruiksomgeving van het apparaat. Reinig de sensoren vaker als deze in een stoffige omgeving worden gebruikt.

## OPSLAG

Wanneer u het apparaat niet gebruikt, bewaar het dan op een koele, droge plaats bij een omgevingstemperatuur van maximaal 35°C en 70% luchtvochtigheid.

NL

## IN HET GEVAL VAN EEN PROBLEEM

- Haal het apparaat niet zelf uit elkaar. Een slecht gerepareerd apparaat kan gevaarlijk zijn voor de gebruiker.
- Raadpleeg de onderstaande tabel voor probleemoplossing voordat u contact opneemt met een erkend servicecentrum:

Probleem	Controleer	Oplossing
<b>Het apparaat kan niet worden ingeschakeld.</b>	Is het netsnoer aangesloten?	Sluit het netsnoer aan op een stopcontact met de juiste spanning.
	Zijn alle display-elementen uitgeschakeld?	Druk op de aan/uitknop en selecteer de gewenste functie.
	Is er een stroomstoring?	U kunt uw luchtreiniger gebruiken zodra deze weer wordt ingeschakeld. Controleer of uw apparaat niet in de automatische nachtmodus staat.
<b>De luchtstroom verandert niet automatisch.</b>	Staat het apparaat in de handmatige modus?	Selecteer de juiste bedieningsmodus.
<b>De luchtstroom is veel zwakker dan voorheen.</b>	Moet het filter worden schoongemaakt of vervangen?	Controleer de frequenties voor filtervervangings en vervang het filter indien nodig.
		Controleer of het voorfilter geen stof bevat en reinig het indien nodig.
<b>Er komt een onaangename geur uit de luchtuitlaat.</b>	Geeft het lampje nog steeds een slechte luchtkwaliteit aan?	Controleer de frequenties voor filtervervangings en vervang het filter indien nodig.
<b>De luchtkwaliteitsindicator verandert niet van kleur.</b>	Is de sensorlens bedekt met stof?	Reinig de sensorlens met een zachte borstel.

Probleem	Controleer	Oplossing
<b>De luchtreiniger maakt geen verbinding</b>	Is uw telefoon aan het begin van het proces verbonden met uw persoonlijke wifinetwerk?	Controleer of u bent verbonden met uw persoonlijke wifinetwerk.
	Lijkt de luchtreiniger geen verbinding te maken?	Controleer of de luchtreiniger is aangesloten op een stopcontact en is ingeschakeld.
	Het wifi-lampje van uw luchtreiniger knippert niet.	Houd de wifi-knop 5 seconden ingedrukt.
	De eerste koppeling werkte niet?	Start het product opnieuw op om het opnieuw te proberen.
	Mijn telefoon is verbonden met wifi maar niet met de luchtreiniger?	Zorg ervoor dat de twee apparaten zich dicht genoeg bij elkaar en in de buurt van de wifi-router bevinden.
	Mijn telefoon maakt geen verbinding met wifi?	<ul style="list-style-type: none"> <li>• Controleer of uw wifi-router is verbonden met internet</li> <li>• Controleer of het wifi-wachtwoord niet is gewijzigd</li> </ul>
<b>Waarom werkte het koppelen niet?</b>	Controleer de compatibiliteit: <a href="https://www.compatibility.groupeseb.com/CompatibilityList-Pureair-Rowenta.pdf">https://www.compatibility.groupeseb.com/CompatibilityList-Pureair-Rowenta.pdf</a>	Ondersteund coderingstype: WPA_1/WPA_2, TIPK; PSK, AES Ondersteunde netwerken: 2,4 GHz

**BELANGRIJK: IN GEVAL VAN ONREGELMATIGHEID OF VERLIES VAN VERBINDING, GELIEVE DE STEKKER VAN UW REINIGER ENKELE MINUTEN UIT HET STOPCONTACT TE HALEN EN HEM DAN WEER IN HET STOPCONTACT TE STEKEN.**



## GARANTIE

Gebruik het apparaat niet en neem contact op met een erkend servicecentrum als:

- Het apparaat is gevallen;
  - Het apparaat of het netsnoer is beschadigd;
  - Het apparaat niet meer naar behoren werkt.
  - U vindt een lijst met erkende servicecentra op de internationale garantiekaart van Rowenta.
- [www.rowenta.com](http://www.rowenta.com)

## RECYCLING

### WEES VRIENDELIJK VOOR HET MILIEU !

-  Uw apparaat bevat materialen die geschikt zijn voor hergebruik.
-  Lever het in bij het milieustation in uw gemeente of bij onze technische dienst.

Deze instructies zijn ook te vinden op onze website: [www.rowenta.com](http://www.rowenta.com)

#### VEREENVOUDIGDE EU-CONFORMITEITSVERKLARING

Hierbij verklaar ik, GROUPE SEB, dat het type radioapparatuur Purifier PU2840F0 conform is met Richtlijn 2014/53/EU.

De volledige tekst van de EU-conformiteitsverklaring kan worden geraadpleegd op het volgende internetadres: <https://www.rowenta.nl/eu-declaration-of-conformity>

Gebruikte frequentiebanden: 2400-2483,50MHz (WiFi & Bluetooth)

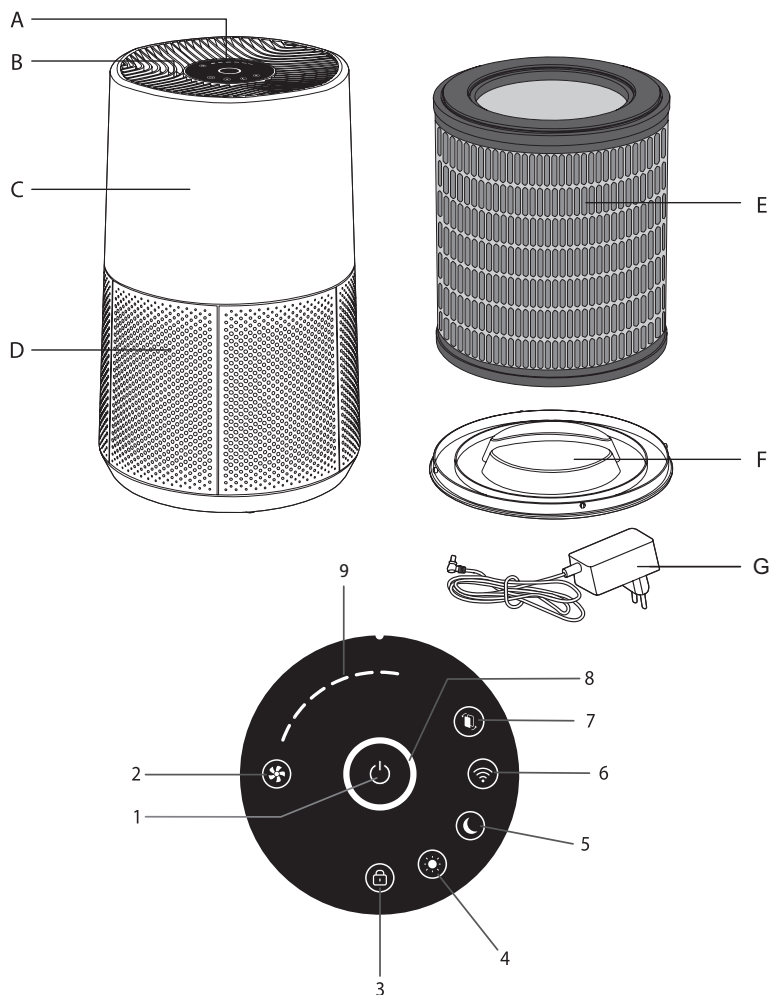
Maximaal radiofrequentievermogen:

WiFi :	18 dBm
Bluetooth :	8 dBm



## INDICE

PANORAMICA DEL PRODOTTO	64
AVVERTENZE DI SICUREZZA	65
INFORMAZIONI MOLTO IMPORTANTI	65
PRINCIPIO DI FUNZIONAMENTO	66
SMONTAGGIO/RIMONTAGGIO DEI FILTRI	67
DOVE INSTALLARE L'APPARECCHIO	68
PRIMA DEL PRIMO UTILIZZO	68
COME COLLEGARE IL PURIFICATORE A INTERNET	68
FUNZIONAMENTO	69
CURA E MANUTENZIONE	69
CONSERVAZIONE	71
IN CASO DI PROBLEMI	71
GARANZIA	72
PARTECIPIAMO ALLA PROTEZIONE DELL'AMBIENTE !	72



## PANORAMICA DEL PRODOTTO

### Accessori dell'unità principale

- A. Pannello di controllo
- B. Uscita dell'aria
- C. Unità principale
- D. Ingresso dell'aria
- E. Filtro
- F. Coperchio del filtro
- G. Adattatore

### Pulsanti di controllo

- 1. Avvio/Arresto
- 2. Impostazione della velocità
- 3. Blocco di sicurezza per bambini
- 4. Modalità giorno automatica
- 5. Modalità notte automatica
- 6. Pulsante Wi-Fi
- 7. Indicatore di sostituzione filtro

### Spie del pannello di controllo

- 8. Indicatore della qualità dell'aria
- 9. Indicatore della velocità impostata


## Leggere attentamente le istruzioni prima dell'uso e conservarle per riferimento futuro.

### AVVERTENZE DI SICUREZZA

#### AVVERTENZE

È essenziale leggere attentamente queste istruzioni e osservare le seguenti raccomandazioni:

- Per garantire la massima sicurezza, questo apparecchio è conforme a tutti gli standard e alle normative in vigore (direttive in materia di bassa tensione, compatibilità elettromagnetica, ambiente, ecc.).
- Questo apparecchio non deve essere utilizzato da persone (compresi i bambini) con ridotte capacità fisiche, sensoriali o mentali o prive dell'esperienza o delle conoscenze necessarie, a meno che non siano sorvegliate o siano state istruite precedentemente sull'uso dell'apparecchio da una persona responsabile della loro sicurezza.
- Sorvegliare i bambini per accertarsi che non giochino con l'apparecchio.
- L'apparecchio può essere utilizzato da bambini di età pari o superiore agli 8 anni, da persone prive dell'esperienza o delle conoscenze necessarie o con ridotte capacità fisiche, sensoriali o mentali, purché siano sorvegliate, istruite all'uso sicuro dell'apparecchio e consapevoli dei rischi connessi. I bambini non devono giocare con l'apparecchio.
- Se il cavo di alimentazione è danneggiato, deve essere sostituito dal fabbricante, dal suo centro di assistenza o da analogo personale qualificato al fine di evitare qualsiasi pericolo.
- I bambini non devono eseguire le procedure di pulizia e manutenzione sull'apparecchio senza essere sorvegliati.
- Per gli interventi di manutenzione, fare riferimento alla sezione «manutenzione».
- Tenere l'apparecchio e il cavo di alimentazione fuori dalla portata dei bambini di età inferiore agli 8 anni.
- Questo apparecchio è progettato per il solo uso domestico. Non deve essere utilizzato per applicazioni industriali.
- La garanzia sarà annullata in caso di danni risultanti da un utilizzo scorretto.
- Non utilizzare l'apparecchio in un luogo molto polveroso e/o umido o a rischio di incendio.
- Prima dell'uso, assicurarsi che l'apparecchio, la spina e il cavo di alimentazione siano in buone condizioni.
- Non inserire alcun oggetto all'interno dell'apparecchio (ad esempio, aghi, ecc.).
- Non tirare il cavo di alimentazione o l'apparecchio, nemmeno per scollegarlo dalla presa di corrente.
- Svolgere completamente il cavo di alimentazione prima dell'uso.

 Se i poli o parti della spina dovessero essere danneggiati, l'alimentatore dovrà essere sostituito.

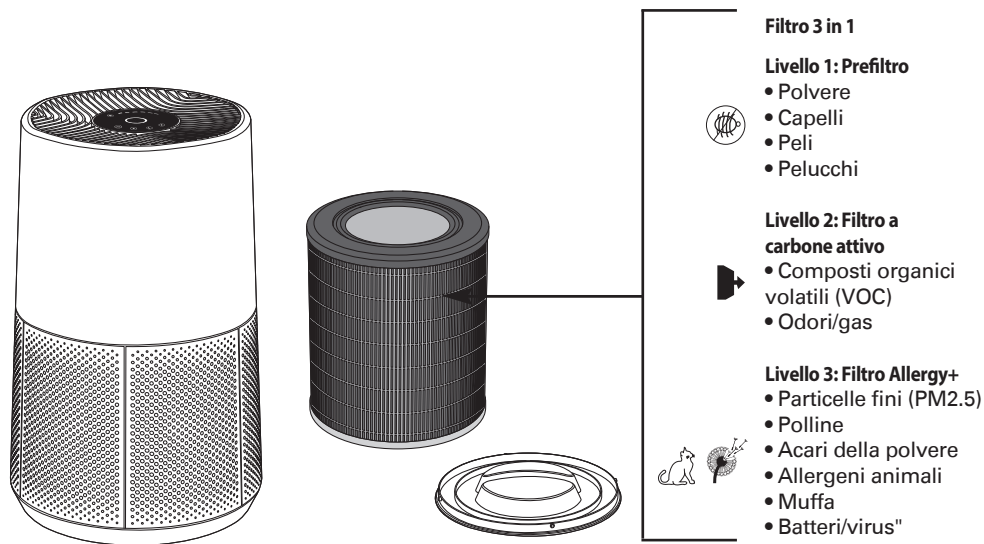
### INFORMAZIONI MOLTO IMPORTANTI

- **Non coprire le griglie di ingresso e/o di uscita dell'aria.**
- **Non toccare l'apparecchio con le mani bagnate.**
- **Non lasciare entrare liquidi nell'apparecchio.**
- **Non utilizzare mai l'apparecchio in un luogo umido.**
- **Non utilizzare mai l'apparecchio vicino a una fonte di calore.**
- **Non appoggiare mai alcun oggetto sull'apparecchio né inserire alcun oggetto all'interno.**
- **Non utilizzare l'apparecchio in prossimità di oggetti e materiali infiammabili (tende, bombole spray, solventi, ecc.).**

- Non usare l'apparecchio in posizione orizzontale o inclinata. Posizionare l'apparecchio su una superficie piana e stabile.
- In caso di assenza prolungata, spegnere l'apparecchio e scollegarlo dalla presa di corrente.
- Spegnere e scollegare l'apparecchio prima di spostarlo.
- Il purificatore d'aria deve essere scollegato durante il montaggio e la pulizia.

## PRINCIPIO DI FUNZIONAMENTO

Pure Air City consente di respirare aria pulita in casa e protegge la salute con una filtrazione fino a 3 livelli, come descritto di seguito. Ciascun livello svolge un compito essenziale intrappolando specifici agenti inquinanti:

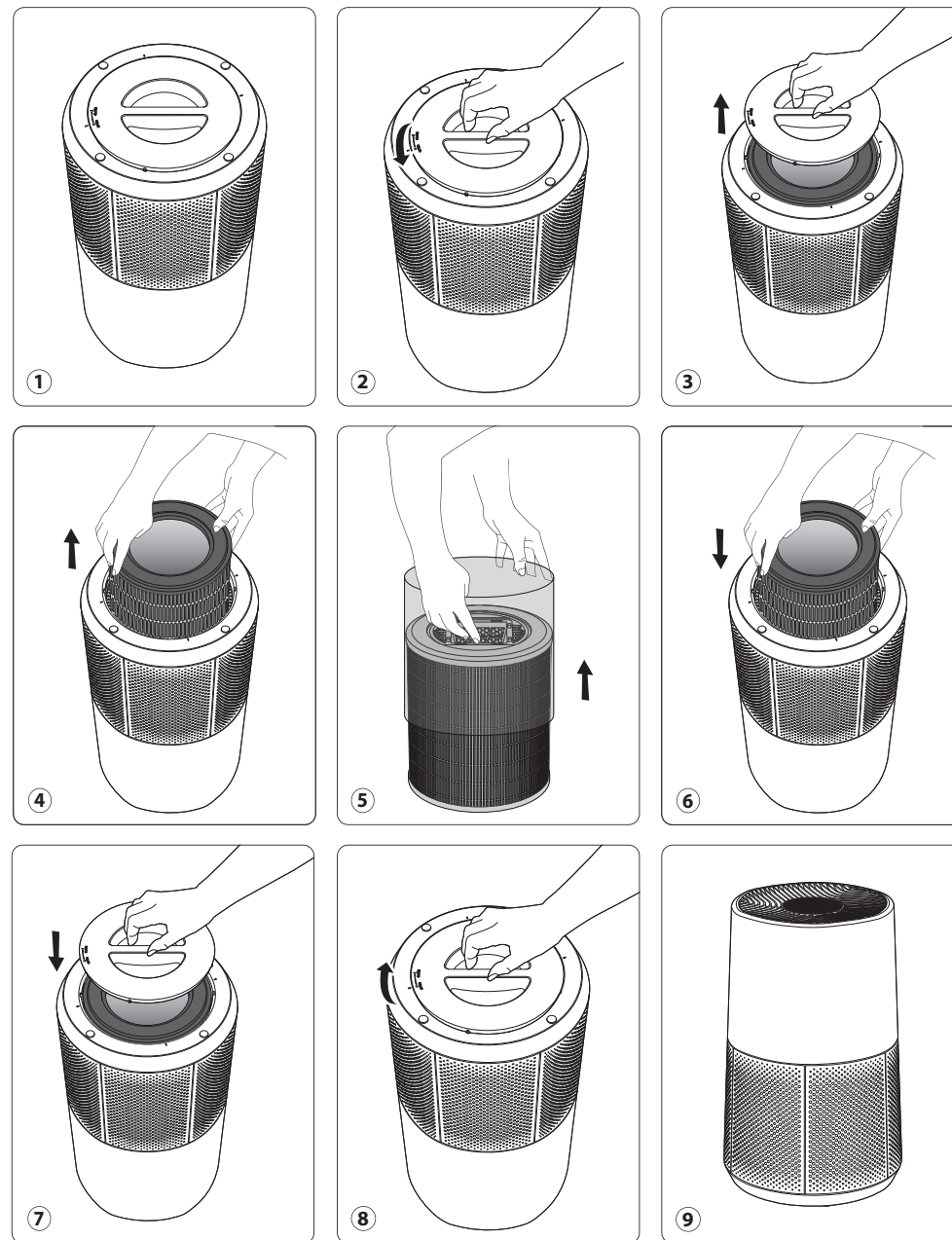


### «COME OTTENERE ARIA PIÙ PULITA NEGLI SPAZI INTERNI»

Oltre a utilizzare il purificatore d'aria pure Air City, ecco alcuni suggerimenti su come migliorare la qualità dell'aria negli spazi interni:

- Ventilare i locali per almeno 10 minuti ogni giorno, in estate e in inverno
- Effettuare la manutenzione del sistema di ventilazione
- Limitare l'uso di prodotti per la pulizia della casa
- Non fumare in ambienti chiusi
- Evitare i profumi per ambienti, bastoncini di incenso, candele profumate, ecc.
- Al termine di eventuali lavori di manutenzione in casa, ventilare gli ambienti per diverse settimane
- Evitare di tenere piante allergeniche o che richiedono frequenti annaffiature

## SMONTAGGIO/RIMONTAGGIO DEI FILTRI



IT

## DOVE INSTALLARE L'APPARECCHIO

Posizionare il purificatore su una superficie piana e stabile all'interno della stanza. Per consentire la libera circolazione dell'aria, evitare di posizionare l'apparecchio dietro le tende, sotto una finestra o in prossimità di altri ostacoli e lasciare almeno 60 cm di spazio libero su ciascun lato dell'apparecchio.

## PRIMA DEL PRIMO UTILIZZO

**Prima di utilizzare l'apparecchio, assicurarsi che l'imballaggio in plastica a protezione dei filtri sia stato rimosso.**

Prima del primo utilizzo, assicurarsi che la tensione, la frequenza e la potenza dell'apparecchio siano compatibili con l'alimentazione elettrica.

L'apparecchio può funzionare utilizzando una spina senza messa a terra. Si tratta di un apparecchio EPS di classe II (doppio isolamento elettrico).

Prima di accendere l'apparecchio, assicurarsi che:

- l'apparecchio sia completamente assemblato come descritto nelle avvertenze di sicurezza;
- l'apparecchio sia posizionato su una superficie stabile e orizzontale;
- l'apparecchio sia posizionato conformemente alle istruzioni presenti in questo manuale;
- le griglie di ingresso e uscita dell'aria siano libere da eventuali ostruzioni;
- i filtri e il coperchio siano stati installati correttamente (vedere la sezione «Smontaggio/rimontaggio del filtro»)

**IMPORTANTE: si raccomanda di spegnere e scollegare l'apparecchio dalla presa di corrente quando non è in uso.**

## COME COLLEGARE IL PURIFICATORE A INTERNET

Scaricare l'app «Pure Air di Rowenta» e seguire le istruzioni sullo smartphone:

1. Accedere per creare il proprio account Rowenta se si è nuovi. Oppure accedere all'app se si dispone già di un account.
2. Assicurarsi di stare vicino al purificatore durante l'associazione (massimo 2 metri) e assicurarsi che il purificatore sia posizionato vicino a un segnale Wi-Fi forte.
3. Assicurarsi che il telefono sia connesso alla rete Wi-Fi locale.
4. Accendere il purificatore e tenere premuto il pulsante Wi-Fi per 5 secondi (si sentirà un suono «ding» e la spia Wi-Fi lampeggerà per indicare che il purificatore è connesso correttamente al Wi-Fi).
5. Scegliere la rete Wi-Fi e immettere la password di rete per collegarsi alla rete Wi-Fi locale.
6. Operazione terminata!

La spia Wi-Fi si accende per indicare che il purificatore è stato collegato correttamente all'app Pure Air di Rowenta.

## Funzione Wi-Fi

Per avviare una nuova associazione, premere il pulsante Wi-Fi  per 5 secondi.

- Quando la spia è accesa, il prodotto è associato/connesso.
- Quando la spia lampeggia velocemente e quindi lentamente, il prodotto è in fase di associazione/connessione ai server/ al Wi-Fi.
- Quando la spia è spenta, il prodotto non è connesso.

## Problemi di connessione

In caso di problemi di associazione tra l'apparecchio e la rete Wi-Fi domestica, fare riferimento alle informazioni riportate nel seguente link:


<https://www.compatibility.groupeseb.com/CompatibilityList-Pureair-Rowenta.pdf>


<https://www.compatibility.groupeseb.com/CompatibilityList-Pureair-Tefal.pdf>


## FUNZIONAMENTO


Per ottenere il miglior effetto di purificazione, il tuo purificatore dovrebbe trovarsi a più di 60 cm di distanza dal muro.

"Avvio/Arresto (1)"  alimentazione  
– Premere questo pulsante per accendere/spegnere il purificatore d'aria.

"Selezione della velocità (2)"   
– È possibile selezionare manualmente la velocità di purificazione da 1 a 6.

"Pulsante modalità giorno automatica (4)"   
– La velocità di purificazione viene impostata a 2, 4 o 5 in base al livello di qualità dell'aria.  
– Se il livello di qualità dell'aria è eccellente, il dispositivo non si attiverà.

"Modalità di sospensione (5)"   
– La velocità di purificazione viene impostata a 1, 2 o 3 in base al livello di qualità dell'aria.  
– Se il livello di qualità dell'aria è eccellente, il dispositivo non si attiverà.  
– Le luci sul dispositivo si spengono automaticamente dopo 5 secondi. Per riaccendere il pannello di controllo, premere uno dei pulsanti.

"Blocco di sicurezza per bambini (3)"   
– Il sistema di blocco impedisce che il purificatore venga accidentalmente impostato in modo errato mentre è in funzione.  
– Per attivarlo, premere il pulsante (3) per 5 secondi finché l'indicatore di blocco del pannello di controllo non si accende.  
Per uscire da questa modalità, premere nuovamente il pulsante (3) per 5 secondi, finché la spia non si spegne. Quando si seleziona questa opzione, gli altri pulsanti vengono bloccati.

- **Indicazione della qualità dell'aria**  
L'indicatore della qualità dell'aria è il cerchio che si illumina intorno al pulsante Avvio/Arresto. L'indicatore della qualità dell'aria (7) è situato sul "Pannello di controllo (A)" dell'apparecchio. Il LED indica il livello di qualità dell'aria:

Qualità dell'aria	Colore del livello di qualità dell'aria
Eccellente	Blu
Inquinamento lieve	Verde
Inquinamento medio	Giallo
Inquinamento elevato	Rosso

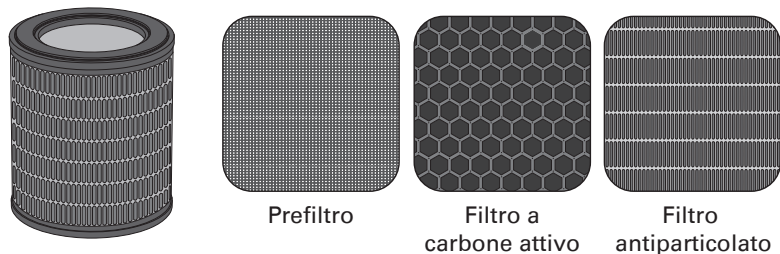
## CURA E MANUTENZIONE

**Prima di eseguire qualsiasi intervento di manutenzione, spegnere sempre il purificatore d'aria premendo il pulsante «Avvio/Arresto (1)» e scollegarlo dalla presa. Utilizzare un panno umido per pulire la superficie del prodotto.**

**Importante: non utilizzare materiali abrasivi per evitare di danneggiare la superficie del prodotto.**

## FILTRO

Questo apparecchio è dotato di 3 tipi di filtri:



Prefiltro

Filtro a  
carbone attivo

Filtro  
antiparticolato

### Frequenza di pulizia/sostituzione del filtro:

Filtro	Azione	Cicli
Prefiltro	Pulizia (rimozione della polvere)	Ogni 2-4 settimane
Prefiltro 3 in 1, filtro Allergy+, carbone attivo	Sostituzione	Ogni 12 mesi o quando è illuminato l'indicatore di sostituzione del filtro

La frequenza consigliata per la sostituzione del filtro può variare a seconda della durata di utilizzo e dell'ambiente interessato.

### IMPORTANTE:

L'indicatore di sostituzione del filtro (6) si illumina quando è necessario sostituire il filtro. Una volta sostituito il filtro, tenere premuto il pulsante per 5 secondi.

### Reimpostazione forzata:

Se il filtro è stato sostituito prima della fine del ciclo di vita, forzare la reimpostazione del ciclo del filtro:

1. Tenere premuto l'indicatore di sostituzione del filtro (6) per 5 secondi.
2. L'indicatore è illuminato. Tenere premuto il pulsante per 5 secondi per reimpostare il ciclo del filtro.



### « SUGGERIMENTI PER LA SOSTITUZIONE DEI FILTRI »

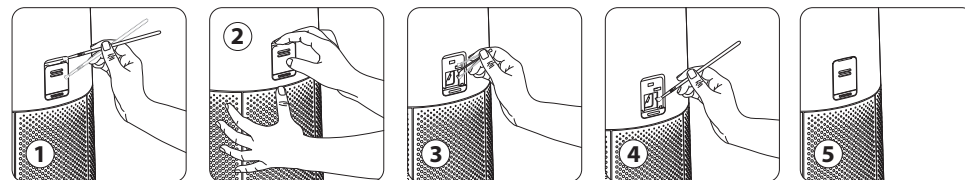
- Evitare di maneggiare filtri usati se si soffre di allergie o asma.
- Per la sostituzione dei filtri, indossare dei guanti o lavare bene le mani subito dopo.
- Prima di gettarli via, riporre i filtri usati in un sacchetto chiuso ermeticamente per evitare la diffusione di agenti inquinanti.

## SENSORE DI INQUINAMENTO

Il sensore di particelle deve essere pulito regolarmente (ogni 2 mesi) e correttamente.

**Assicurarsi di spegnere e scollegare l'apparecchio prima di pulire i sensori di inquinamento e seguire le raccomandazioni riportate di seguito:**

1. Pulire le griglie di ingresso e uscita dell'aria con una spazzola o un panno morbidi.
2. Aprire il coperchio del sensore situato sul retro dell'apparecchio.
3. Inumidire leggermente un bastoncino di cotone e rimuovere la polvere dalla lente e dalle griglie di ingresso/uscita. Asciugare con un bastoncino di cotone asciutto.
4. Pulire il sensore con una spazzola morbida o un aspirapolvere.
5. Riposizionare il coperchio del sensore



### IMPORTANTE:

- Non utilizzare mai detersivi o oggetti metallici per pulire i sensori.
- L'efficienza dei sensori può essere ridotta se non vengono puliti regolarmente.
- La frequenza di pulizia varia a seconda dell'ambiente in cui è utilizzato l'apparecchio. Se viene utilizzato in ambienti polverosi, pulire i sensori con maggiore frequenza.

## CONSERVAZIONE

Quando non si utilizza l'apparecchio, riporlo in un luogo fresco e asciutto a temperatura ambiente non superiore a 35 °C e a un tasso di umidità del 70%.

## IN CASO DI PROBLEMI

- Non smontare mai l'apparecchio autonomamente. Un apparecchio riparato in modo scorretto può essere pericoloso.
- Prima di contattare un centro di assistenza autorizzato, consultare la tabella di risoluzione dei problemi riportata di seguito:

Problema	Controllo	Soluzione
<b>L'apparecchio non si accende.</b>	Il cavo di alimentazione è collegato?	Collegare il cavo di alimentazione a una presa di corrente con la tensione corretta.
	Tutte le spie sono spente?	Premere il pulsante di accensione/spegnimento e selezionare la funzione desiderata.
	Si è verificata un'interruzione di corrente?	È possibile utilizzare il purificatore dopo il ripristino della corrente. Verificare che l'apparecchio non sia in modalità automatica Notte.
<b>Il flusso d'aria non cambia automaticamente.</b>	"L'apparecchio è in modalità manuale?"	Selezionare la modalità di funzionamento corretta.
<b>Il flusso d'aria è diminuito sensibilmente.</b>	"Il filtro deve essere pulito o sostituito?"	Controllare la frequenza di sostituzione del filtro e, se necessario, sostituirlo.
		Verificare che il pre-filtro sia privo di polvere e pulirlo se necessario.
<b>Si sente un odore sgradevole proveniente dalla griglia di uscita dell'aria.</b>	La spia indica ancora una scarsa qualità dell'aria?	Controllare la frequenza di sostituzione del filtro e, se necessario, sostituirlo.
<b>L'indicatore della qualità dell'aria non cambia colore.</b>	La lente del sensore è coperta di polvere?	Pulire la lente del sensore con una spazzola morbida.

IT



Problema	Controllo	Soluzione
<b>Il purificatore non si collega.</b>	Il telefono è collegato alla rete Wi-Fi personale all'inizio del processo?	Verificare di essere collegati alla rete Wi-Fi personale.
	Il purificatore sembra non collegarsi?	Verificare che l'apparecchio sia collegato alla presa di corrente e acceso.
	Il LED del Wi-Fi del purificatore non lampeggia?	Tenere premuto il pulsante Wi-Fi per 5 secondi.
	La prima associazione non ha funzionato?	Riavviare il prodotto per riprovare.
	Il telefono è collegato al Wi-Fi ma non lo è il purificatore?	Assicurarsi che i due dispositivi siano sufficientemente vicini l'uno all'altro e vicini al router Wi-Fi.
	Il telefono non si collega al Wi-Fi?	<ul style="list-style-type: none"> <li>• Verificare che il router Wi-Fi sia collegato a Internet</li> <li>• Verificare che la password Wi-Fi non sia stata modificata</li> </ul>
<b>Perché l'associazione non ha funzionato?</b>	Verificare la compatibilità: <a href="https://www.compatibility.groupeseb.com/CompatibilityList-Pureair-Rowenta.pdf">https://www.compatibility.groupeseb.com/CompatibilityList-Pureair-Rowenta.pdf</a>	Tipo di crittografia supportato: WPA_1/WPA_2, TPK; PSK, AES Reti supportate: 2,4 GHz

**IMPORTANTE: IN CASO DI ANOMALIA O PERDITA DI CONNESSIONE, SCOLLEGARE DALLA PRESA IL PURIFICATORE PER ALCUNI MINUTI E QUINDI RICOLLEGARLO.**

## GARANZIA

Non usare l'apparecchio e contattare un centro di assistenza autorizzato se:

- L'apparecchio è caduto.
- L'apparecchio o il cavo di alimentazione sono danneggiati.
- L'apparecchio non funziona più in modo corretto.
- Per l'elenco dei centri di assistenza autorizzati, consultare la scheda della garanzia internazionale Rowenta.

[www.rowenta.com](http://www.rowenta.com)

## RICICLAGGIO

### PARTECIPIAMO ALLA PROTEZIONE DELL'AMBIENTE !



- ① Il vostro apparecchio è composto da diversi materiali che possono essere riciclati. .  
➡ Lasciatelo in un punto di raccolta o presso un Centro Assistenza Autorizzato.

Queste istruzioni sono reperibili anche sul sito Web, all'indirizzo [www.rowenta.com](http://www.rowenta.com)

#### DICHIARAZIONE DI CONFORMITÀ UE SEMPLIFICATA

Il fabbricante, GROUPE SEB, dichiara che il tipo di apparecchiatura radio Purifier PU2840F0 è conforme alla direttiva 2014/53/UE.

Il testo completo della dichiarazione di conformità UE è disponibile al seguente indirizzo Internet:  
<https://www.rowenta.it/eu-declaration-of-conformity>

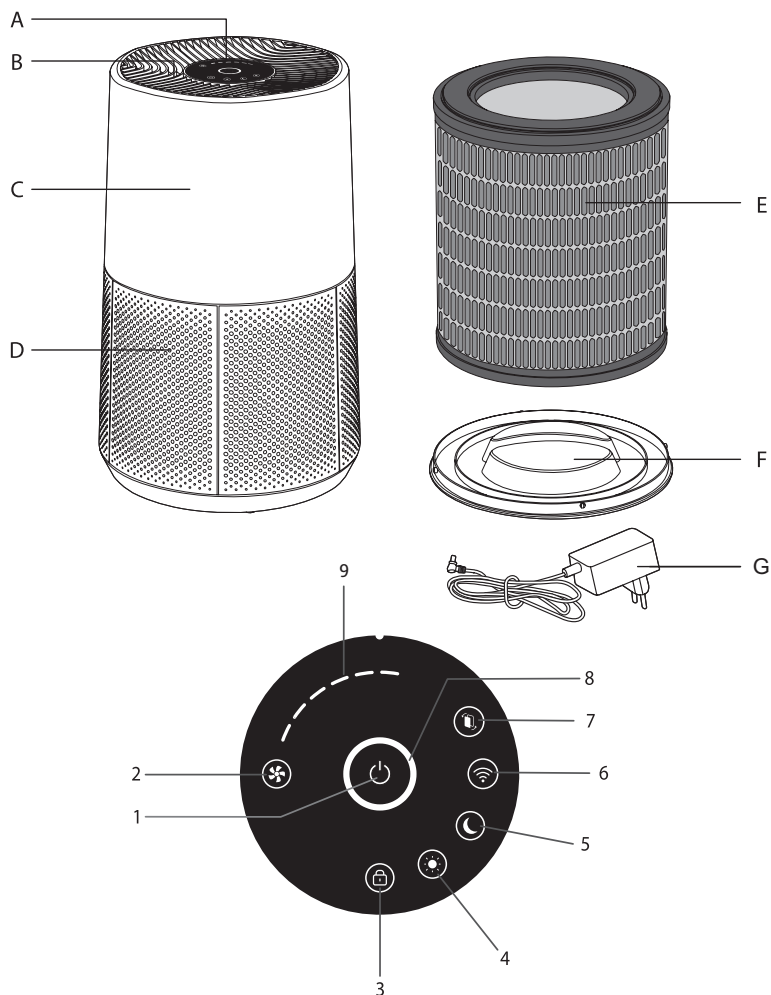
Bande di frequenza utilizzate: 2400-2483,50MHz (WiFi & Bluetooth)

Potenza massima a radiofrequenza:

WiFi :	18 dBm
Bluetooth :	8 dBm

## SHRNUTÍ

STRUČNÝ POPIS SPOTŘEBIČE	74
BEZPEČNOSTNÍ POKYNY	75
VELMI DŮLEŽITÉ	75
PRINCIP FUNGOVÁNÍ	76
DEMONTÁŽ / OPĚTOVNÁ MONTÁŽ FILTRŮ	77
KAM NAINSTALOVAT SPOTŘEBIČ	78
PŘED PRVNÍM POUŽITÍM	78
JAK PŘIPOJIT ČISTIČ K INTERNETU	78
PROVOZ	79
PÉČE A ÚDRŽBA	79
SKLADOVÁNÍ	80
V PŘÍPADĚ PROBLÉMU	81
ZÁRUKA	82
PODÍLEJME SE NA OCHRANĚ ŽIVOTNÍHO PROSTŘEDÍ!	82



## STRUČNÝ POPIS SPOTŘEBIČE

### Příslušenství těla přístroje

- A. Ovládací panel
- B. Výstup vzduchu
- C. Tělo přístroje
- D. Přívod vzduchu
- E. Filtr
- F. Kryt filtru
- G. Adaptér

### Ovládací tlačítka

- 1. Start / Stop
- 2. Výběr rychlosti
- 3. Dětská pojistka
- 4. Režim AutoDay
- 5. Režim AutoNight
- 6. Tlačítko Wi-Fi
- 7. Kontrolka výměny filtru

### Kontrolky na ovládacím panelu

- 8. Kontrolka kvality vzduchu
- 9. Kontrolka vybrané rychlosti

## Před použitím si přečtěte pozorně návod spolu s bezpečnostními pokyny a uschovejte si je pro budoucí použití.

### BEZPEČNOSTNÍ POKYNY

#### VAROVÁNÍ

Je nezbytné si tyto pokyny pečlivě přečíst a dodržovat následující doporučení:

- K zajištění vaší bezpečnosti tento spotřebič vyhovuje platným normám a předpisům (nízké napětí, elektromagnetická kompatibilita, směrnice o ochraně životního prostředí atd.).
- Tento spotřebič by neměl být používán osobami (včetně dětí) s omezenými fyzickými, smyslovými nebo duševními schopnostmi nebo nedostatkem zkušeností a znalostí, pokud tyto osoby nejsou pod dohledem nebo nebyly předem poučeny ohledně používání spotřebiče ze strany osoby zodpovědné za jejich bezpečnost.
- Dohlédněte, aby si se spotřebičem nehrály děti.
- Spotřebič mohou používat děti od 8 let a osoby s omezenými fyzickými, smyslovými nebo duševními schopnostmi nebo nedostatkem zkušeností a znalostí za předpokladu, že jsou pod dohledem, byly poučeny o bezpečném použití spotřebiče a jsou si vědomy rizik spojených s jeho používáním.
- Děti si nesmí s tímto spotřebičem hrát.
- Jestliže je napájecí kabel poškozen, v zájmu bezpečnosti jej musí vyměnit výrobce, jeho poprodejní servis nebo osoby s podobnou kvalifikací.
- Děti nesmí čistit nebo provádět údržbu na spotřebiči bez dozoru.
- Aktivita údržby najdete v části „údržba“.
- Uchovávejte spotřebič i jeho napájecí kabel mimo dosah dětí do 8 let.
- Tento spotřebič je určen pouze pro domácí použití. Nesmí být používán k průmyslovým účelům.
- Při poškození v důsledku nesprávného použití dojde ke zneplatnění záruky.
- Nepoužívejte tento spotřebič ve velmi prašném a/nebo vlhkém prostředí nebo na místě s nebezpečím požáru.
- Před použitím vždy zkontrolujte, aby byly spotřebič, zástrčka a napájecí kabel v dobrém stavu.
- Nikdy nevkládejte do spotřebiče předměty (např. jehly apod.).
- Netahejte za napájecí kabel ani za spotřebič, a to ani při odpojování z elektrické zásuvky.
- Před použitím kabel zcela rozmotejte.

CS

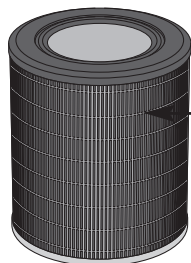
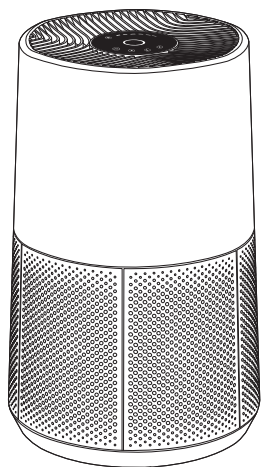
Pokud jsou kolíky na zástrčce poškozeny, napájení zlikvidujte.

### VELMI DŮLEŽITÉ

- **Nezakrývejte vstupy vzduchu ani výstupní mřížku.**
- **Nedotýkejte se spotřebiče mokřými rukama.**
- **Do spotřebiče nesmí vniknout žádná kapalina.**
- **Spotřebič nikdy nepoužívejte ve vlhkém prostředí.**
- **Spotřebič nikdy nepoužívejte v blízkosti zdroje tepla.**
- **Na spotřebič nic nepokládejte ani do něj nic nevkládejte.**
- **Nepoužívejte spotřebič v blízkosti hořlavých předmětů ani výrobků (záclony, aerosoly, rozpouštědla apod.).**
- **Nikdy nepoužívejte spotřebič v nakloněné nebo vodorovné poloze. Umístěte spotřebič na rovný a stabilní povrch.**
- **V případě dlouhodobé nepřítomnosti: spotřebič vypněte a odpojte ze sítě.**
- **Před přemístěním spotřebiče jej vypněte a odpojte.**
- **Čistič vzduchu musí být během montáže a čištění odpojen.**

## PRINCIP FUNGOVÁNÍ

Pure Air City vám ve vašem domě umožňuje dýchat čistý vzduch a chrání vaše zdraví prostřednictvím až 3 úrovní filtrace, jak je popsáno níže. Každá úroveň je zásadní a zachytává konkrétní znečišťující látky:



### Filtr 3 v 1

#### 1. úroveň: Předfiltr

- Prach
- Vlasy
- Chlupy
- Žmolky



#### 2. úroveň: Filtr s aktivním uhlím

- Těkavé organické látky (VOC)
- Pachy/plyny



#### 3. úroveň: Filtr Allergy+

- Jemné částice (PM2.5)
- Pyl
- Roztoči
- Zvířecí alergen
- Plísně
- Bakterie/viry"

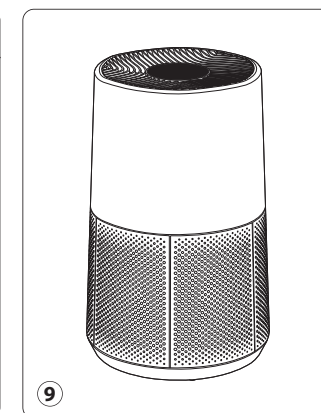
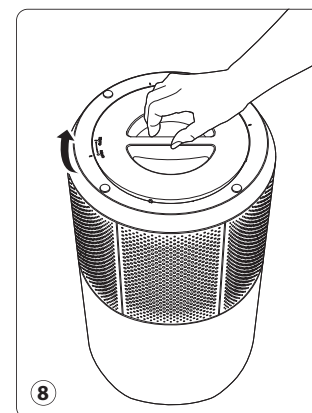
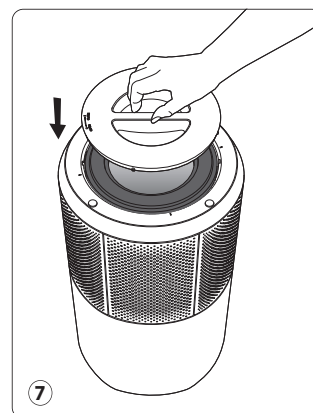
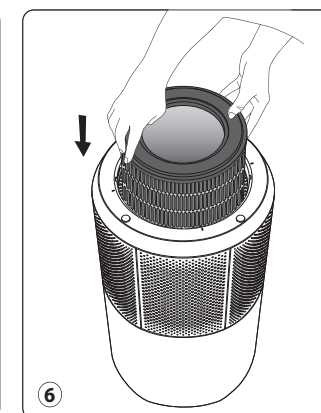
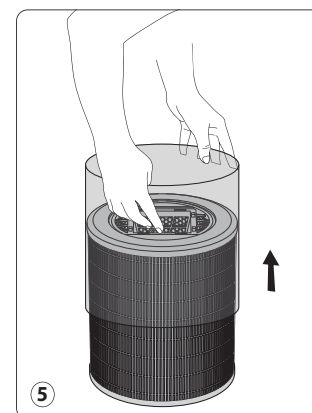
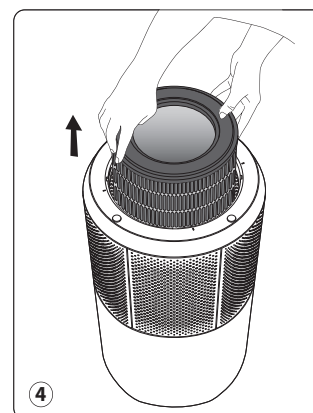
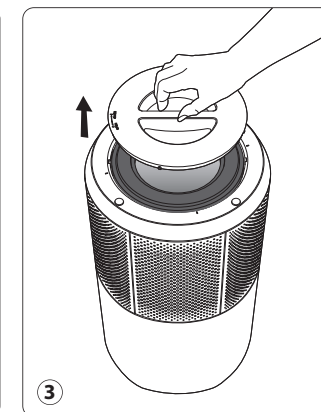
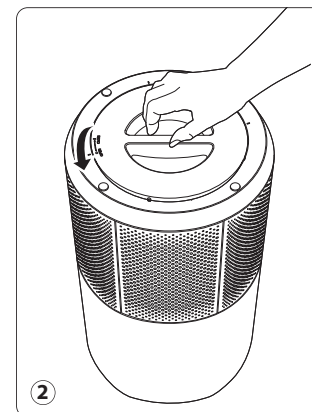
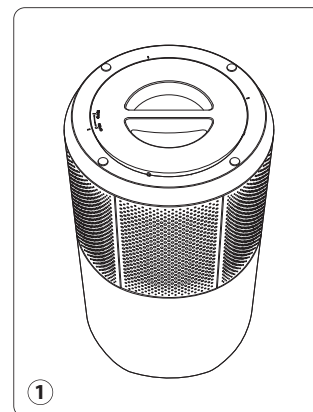


## « JAK DOSÁHNOUT ČISTŠÍHO VNITŘNÍHO VZDUCHU »

Kromě používání intenzivního čističe vzduchu vám nabízíme několik tipů, jak vylepšit kvalitu vnitřního vzduchu:

- Větrejte místnosti po dobu nejméně 10 minut každý den, v létě i v zimě.
- Pečujte o ventilační systém.
- Omezte používání výrobků pro domácnost.
- Nekuřte uvnitř.
- Nepoužívejte vůně, kadidla, vonné svíčky atd.
- Větrejte vždy, když se ve vaší domácnosti provádí nějaká stavební práce / malování, a několik týdnů poté.
- Vyhňte se zeleným rostlinám, které jsou alergenní nebo potřebují časté zalévání

## DEMONTÁŽ / OPĚTOVNÁ MONTÁŽ FILTRŮ



CS

## KAM NAINSTALOVAT SPOTŘEBIČ

Umístěte čistič na rovný a stabilní povrch v místnosti, která vyžaduje ošetření. Aby mohl vzduch volně cirkulovat, neumísťujte spotřebič za závěs, pod okno nebo k jakékoli jiné překážce a na každé straně spotřebiče nechte alespoň 60 cm volného místa.

## PŘED PRVNÍM POUŽITÍM SPOTŘEBIČE

**Před použitím spotřebiče je nutné odstranit plastový obal chránící filtry.**

Před prvním použitím se ujistěte, že napětí, kmitočet a výkon spotřebiče odpovídají dostupnému elektrickému napájení.

Váš spotřebič může fungovat pomocí neuzemněné zástrčky. EPS je třída II (s dvojitou elektrickou izolací).

Před zapnutím spotřebiče se ujistěte, že:

- spotřebič je kompletně sestaven tak, jak je popsáno v bezpečnostních pokynech,
- spotřebič je umístěn na stabilním vodorovném povrchu,
- spotřebič je umístěn v souladu s pokyny uvedenými v této příručce,
- vstupy vzduchu i výstupní mřížka nejsou zablokované,
- filtry a kryt byly správně nainstalovány (viz část „Demontáž / opětovná montáž filtrů“)

**DŮLEŽITÉ: Doporučujeme vypnout a odpojit spotřebič ze zásuvky, pokud jej nepoužíváte.**

## JAK PŘIPOJIT ČISTIČ K INTERNETU

Stáhněte si aplikaci „Pure Air by Rowenta“ a postupujte podle pokynů na smartphonu:

1. Pokud jste novým uživatelem, vytvořte si účet Rowenta. Nebo, pokud již účet máte, se přihlaste do aplikace.
2. Během párování stůjte v blízkosti čističe (do 2 metrů) a čistič postavte na místo se silným signálem sítě Wi-Fi.
3. Připojte telefon k místní síti Wi-Fi.
4. Zapněte čistič a po dobu 5 sekund podržte tlačítko Wi-Fi (uslyšíte zvukové znamení a kontrolka Wi-Fi zabliká na znamení, že se čistič úspěšně připojil k síti).
5. Vyberte síť Wi-Fi a zadejte heslo pro připojení k místní síti Wi-Fi.
6. A to je vše!

Kontrolka Wi-Fi se rozsvítí na znamení, že se čistič vzduchu úspěšně připojil k aplikaci Pure air by Rowenta.

## Funkce Wi-Fi

Chcete-li zahájit nové párování, stiskněte na dobu 5 sekund tlačítko  Wi-Fi.

- Když kontrolka svítí, výrobek je spárován/připojen.
- Když kontrolka bliká rychle a potom pomalu, výrobek se páruje/připojuje k síti Wi-Fi / serverům.
- Když kontrolka nesvítí, výrobek není spárován/připojen.

## Problémy s připojením

V případě problémů s párováním spotřebiče přes domácí síť Wi-Fi si prostudujte informace uvedené na tomto odkazu:

<https://www.compatibility.groupeseb.com/CompatibilityList-Pureair-Rowenta.pdf>

<https://www.compatibility.groupeseb.com/CompatibilityList-Pureair-Tefal.pdf>

## PROVOZ

Abyste dosáhli nejlepšího čistícího účinku, měla by být vaše čistička vzdálena více než 60 cm od stěny.

«Napájení « Start/Stop (1) » 

- Stisknutím tohoto tlačítka čistič vzduchu zapnete či vypnete

« Výběr rychlosti (2) » 

- Rychlost čištění můžete vybrat ručně, od rychlosti 1 po rychlost 6.

« Tlačítko režimu AutoDa (4) » 

- Rychlost čištění se nastaví na rychlost 2, rychlost 4 nebo rychlost 5 podle úrovně kvality vzduchu.
- Jestliže je úroveň kvality vzduchu vynikající, zařízení se nespustí.

« Režim spánku (5) » 

- Rychlost čištění se nastaví na rychlost 1, rychlost 2 nebo rychlost 3 podle úrovně kvality vzduchu.
- Jestliže je úroveň kvality vzduchu vynikající, zařízení se nespustí.
- Světla na zařízení se po 5 sekundách automaticky vypnou. Chcete-li ovládací panel opět zapnout, stiskněte jedno z tlačítek.

« Dětská pojistka (3) » 

- Pojistný systém zabrání náhodnému špatnému nastavení čističe během provozu.
- Aktivujete jej stisknutím tlačítka (3) po dobu 5 sekund, dokud se nerozsvítí kontrolka na ovládacím panelu. Tento režim ukončíte dalším stisknutím tlačítka (3) po 5 sekundy, dokud kontrolka nezhasne. Když je tento režim vybrán, ostatní tlačítka jsou zamčená.

### • Signalizace kvality vzduchu

Kontrolka kvality vzduchu je světelné kolečko kolem tlačítka start/stop. Kontrolka kvality vzduchu (7) se nachází na « Ovládacím panelu (A) » spotřebiče. Kontrolka LED bude signalizovat úroveň kvality vzduchu:

Kvalita vzduchu	Barva úrovně kvality vzduchu
Vynikající	Modrá
Nepatrné znečištění	Zelená
Mírné znečištění	Žlutá
Vysoké znečištění	Červená

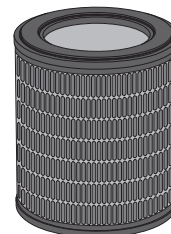
## PÉČE A ÚDRŽBA

**Před prováděním libovolné údržby čističe vzduchu vždy vypněte pomocí tlačítka « start/ stop (1) » a odpojte ho od elektřiny. K čištění povrchu spotřebiče používejte vlhký hadřík.**

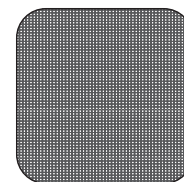
**Důležité: Nepoužívejte žádné abrazivní prostředky, protože by mohly poškodit povrch spotřebiče.**

## FILTR

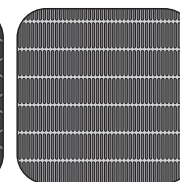
Tento spotřebič je vybaven 3 typy filtrů:



Předfiltr



Filtr s aktivním uhlím



Částicový filtr



## Frekvence čištění/výměny filtrů:

Filtr	Akce	Cykly
Předfiltr	Úklid (odstranění prachu)	Každé 2 až 4 týdny
Předfiltr 3 v 1, alergie + filtr, aktivní uhlí	Výměna	Každých 12 měsíců, nebo když se rozsvítí ukazatel výměny filtru

Doporučená frekvence pro výměnu filtru se může lišit v závislosti na době používání a provozním prostředí.

### DŮLEŽITÉ:

Kontrolka výměny filtru (6) se rozsvítí, když je třeba filtr vyměnit. Po výměně filtru podržte tlačítko stisknuté po dobu 5 sekund.

### Vynucený reset:

Pokud jste vyměnili filtr před koncem jeho životnosti, vynutíte reset cyklu filtru:

1. Stlačte kontrolku výměny filtru (6) po dobu 5 sekund.
2. Kontrolka se rozsvítí. Stlačte tlačítko po dobu 5 sekund. Tím resetujete cyklus filtru.



### « TIPY K VÝMĚNĚ FILTRŮ »

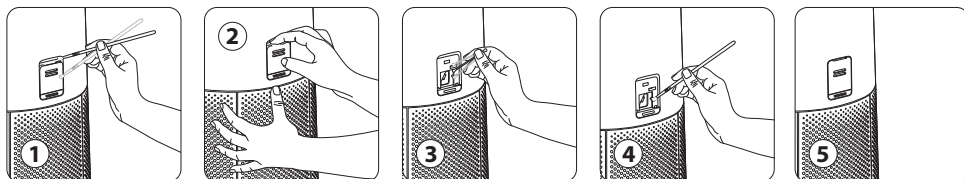
- Nemanipulujte s použitými filtry, pokud trpíte alergiemi nebo astmatem.
- Při výměně filtrů noste rukavice, nebo si následně dobře umyjte ruce.
- Použité filtry vložte přímo do uzavřeného, vzduchotěsného pytle a vyhazujte je, aby nedošlo k šíření znečišťujících látek.

## SNÍMAČ ZNEČIŠTĚNÍ

Snímač částic je potřeba pravidelně a řádně čistit (každé 2 měsíce).

**Před čištěním snímačů znečištění se přesvědčte, že je spotřebič vypnutý a odpojený od elektřiny, a řiďte se doporučeními uvedenými níže:**

1. Vyčistěte přívod a výstup vzduchu pomocí měkkého kartáčku nebo hadříku.
2. Otevřete kryt snímače nacházející se na zadní straně spotřebiče.
3. Lehce navlhčete vatový tampón a odstraňte z čochy a přívodu/výstupu veškerý prach. Osušte pomocí suchého vatového tampónu.
4. Vyčistěte snímač pomocí měkkého kartáčku nebo vysavače.
5. Nasadte zpět kryt snímače



### DŮLEŽITÉ:

- K čištění snímačů nikdy nepoužívejte čisticí prostředky nebo kovový předmět.
- Účinnost snímačů může být snížena, pokud nejsou pravidelně čistěny.
- Frekvence čištění se liší v závislosti na provozním prostředí spotřebiče. Při použití v prašném prostředí čistěte snímače častěji.

## SKLADOVÁNÍ

Pokud spotřebič nepoužíváte, uložte jej na chladném, suchém místě při teplotě do 35 °C a RH do 70 %.

## V PŘÍPADĚ PROBLÉMU

- Spotřebič sami nerozebírejte. Špatně opravený spotřebič může být pro uživatele nebezpečný.
- Před kontaktováním autorizovaného servisního střediska zkontrolujte následující tabulku pro řešení problémů:

Problém	Kontrola	Řešení
Spotřebič se nezapne.	Je připojen napájecí kabel?	Napájecí kabel zapojte do zásuvky se správným napětím.
	Jsou všechny zobrazovací prvky zhasnuté?	Stiskněte tlačítko zap./vyp. a vyberte požadovanou funkci.
	Dochází k výpadku elektrické energie?	Po opětovném zapnutí napájení můžete čistič použít. Zkontrolujte, zda přístroj není v Automatickém nočním režimu.
Průtok vzduchu se automaticky nemění.	Je spotřebič v manuálním režimu?	Vyberte správný provozní režim.
Foukání výrazně zesláblo.	Je třeba vyčistit nebo vyměnit filtr?	Zkontrolujte frekvenci výměn filtrů a v případě potřeby filtry vyměňte.
		Zkontrolujte, zda není předfiltr zaprášený, a v případě potřeby jej vyčistěte.
Z výstupu vzduchu vychází nepříjemný zápach.	Signalizuje kontrolka stále špatnou kvalitu vzduchu?	Zkontrolujte frekvenci výměn filtrů a v případě potřeby filtry vyměňte.
Kontrolka kvality vzduchu nemění barvu.	Je čočka snímače zakrytá prachem?	Vyčistěte čočku snímače měkkým kartáčkem.
Čistič se nepřipojuje	Je váš telefon na začátku procesu připojen k vaší síti Wi-Fi?	Ověřte si, že jste připojeni k síti Wi-Fi.
	Čistič se nepřipojuje?	Zkontrolujte, zda je čistič zapojený do elektřiny a zapnutý.
	Kontrolka Wi-Fi na čističi neblíká?	Podržte tlačítko Wi-Fi po dobu 5 sekund.
	První párování nefungovalo?	Restartujte zařízení a zkuste to znovu.
	Můj telefon je připojen k Wi-Fi, ale ne k čističi?	Ujistěte se, že obě zařízení jsou v těsné blízkosti a poblíž Wi-Fi routeru.
Můj telefon se nepřipojuje k Wi-Fi?	<ul style="list-style-type: none"> <li>• Zkontrolujte, zda je Wi-Fi router připojen k internetu.</li> <li>• Zkontrolujte, zda se nezměnilo heslo k Wi-Fi.</li> </ul>	
Proč párování nefungovalo?	Zkontrolujte kompatibilitu: <a href="https://www.compatibility.groupe Seb.com/CompatibilityList-Pureair-Rowenta.pdf">https://www.compatibility.groupe Seb.com/CompatibilityList-Pureair-Rowenta.pdf</a>	Podporovaný typ šifrování: WPA_1/WPA_2, TIPK; PSK, AES Podporované sítě: 2,4 GHz

**DŮLEŽITÉ: V PŘÍPADĚ ANOMALIE NEBO ZTRÁTY PŘIPOJENÍ ODPOJTE NA NĚKOLIK MINUT ČISTIČ OD ELEKTRINY A POTÉ JEJ ZNOVU PŘIPOJTE.**

## ZÁRUKA

V následujících případech přestaňte spotřebič používat a obraťte se na autorizované servisní středisko:

- Spotřebič spadl na zem;
- Spotřebič nebo jeho napájecí kabel jsou poškozené;
- Spotřebič již nefunguje správně.
- Seznam autorizovaných servisních středisek naleznete na mezinárodním záručním listu společnosti Rowenta.  
[www.rowenta.com](http://www.rowenta.com)

## RECYKLACE

### PODÍLEJME SE NA OCHRANĚ ŽIVOTNÍHO PROSTŘEDÍ!



① Váš přístroj obsahuje čtené zhodnotitelné nebo recyklovatelné materiály.

➡ Svěťte jej sběrnému místu nebo, neexistuje-li, smluvnímu servisnímu středisku, kde s ním bude na-  
loženo odpovídajícím způsobem.

Tyto pokyny naleznete také na našem webu [www.rowenta.com](http://www.rowenta.com)

#### ZJEDNODUŠENÉ EU PROHLÁŠENÍ O SHODĚ

Tímto GROUPE SEB prohlašuje, že typ rádiového zařízení Purifier PU2840F0 je v souladu se  
směrnicí 2014/53/EU.

Úplné znění EU prohlášení o shodě je k dispozici na této internetové adrese:

<https://www.rowenta.cz/eu-declaration-of-conformity>

Frekvenční pásmo: 2400-2483,50MHz (WiFi & Bluetooth)

Maximální vysokofrekvenční výkon:

WiFi :

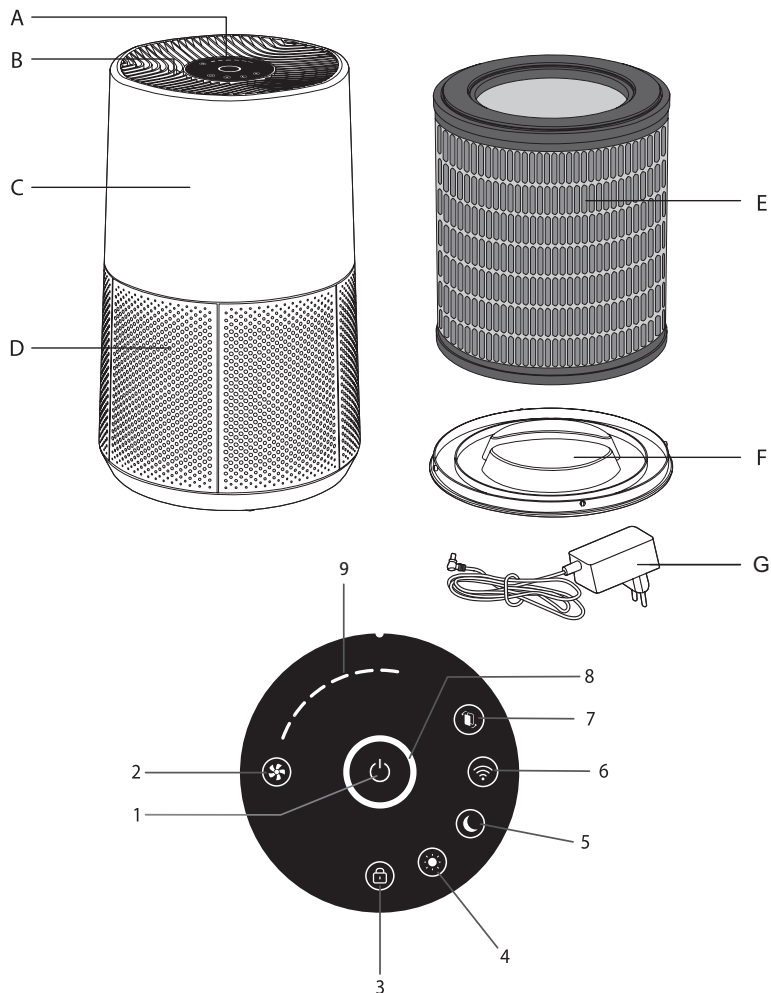
18 dBm

Bluetooth :

8 dBm

## CUPRINS

PREZENTAREA GENERALĂ A PRODUSULUI	84
INSTRUCȚIUNI DE SIGURANȚĂ	85
FOARTE IMPORTANT	85
PRINCIPIU DE FUNCȚIONARE	86
DEMONTAREA/REMONTAREA FILTRELOR	87
UNDE SĂ INSTALAȚI APARATUL	88
ÎNAINTE DE PRIMA UTILIZARE	88
CONECTAREA PURIFICATORULUI LA INTERNET	88
FUNCȚIONARE	89
ÎNGRIJIRE ȘI ÎNTREȚINERE	89
DEPOZITARE	91
ÎN CAZUL APARIȚIEI UNEI PROBLEME	91
GARANȚIE	92
SĂ PARTICIPĂM LA PROTECȚIA MEDIULUI!	92



## PREZENTAREA GENERALĂ A PRODUSULUI

### Accesorii corp principal

- A. Panou de comandă
- B. Evacuare aer
- C. Corp principal
- D. Admisie aer
- E. Filtru
- F. Capac filtru
- G. Adaptor

### Butoane de comandă

- 1. Start/Stop
- 2. Selectare viteză
- 3. Siguranță pentru copii
- 4. Mod auto zi
- 5. Mod auto noapte
- 6. Buton Wi-Fi
- 7. Indicator de schimbare a filtrului

### Lumini panou de comandă

- 8. Indicator calitate aer
- 9. Indicator viteză selectată

**Citiți cu atenție instrucțiunile de utilizare și de siguranță înainte de folosire și păstrați-le pentru consultare ulterioară.**

## INSTRUCȚIUNI DE SIGURANȚĂ

### AVERTISMENTE

**Este esențial să citiți aceste instrucțiuni cu atenție și să respectați următoarele recomandări:**

- Pentru siguranța dvs., Acest aparat respectă standardele și reglementările aplicabile (tensiune scăzută, compatibilitate electromagnetică, directive de mediu etc.).
- Acest aparat nu trebuie utilizat de către persoane (inclusiv copii) cu capacități fizice, senzoriale sau mintale reduse, ori lipsite de experiență sau cunoștințe, cu excepția cazului în care acestea sunt supravegheate sau instruite în prealabil cu privire la utilizarea aparatului de o persoană responsabilă de siguranța lor.
- Copiii trebuie supravegheați pentru a vă asigura că nu se joacă cu aparatul.
- Acest aparat poate fi utilizat de copii cu vârsta de peste 8 ani și de către persoane cu capacități fizice, senzoriale sau mintale reduse ori lipsite de experiență și cunoștințe dacă sunt supravegheate sau au fost instruite în prealabil cu privire la utilizarea în siguranță a aparatului și înțeleg pericolele pe care le presupune acesta. Copiii nu trebuie să se joace cu aparatul.
- În caz de deteriorare a cablului de alimentare, acesta trebuie înlocuit de către producător, de serviciul post-vânzări sau de altă persoană calificată, pentru a evita orice pericol.
- Copiii nu trebuie să curețe sau să desfășoare proceduri de întreținere asupra aparatului fără să fie supravegheați.
- Pentru operațiunile de întreținere, consultați secțiunea „întreținere”.
- Aparatul și cablul său de alimentare nu trebuie lăsate la îndemâna copiilor sub 8 ani.
- Acest aparat este destinat numai pentru uz casnic. Nu trebuie utilizat în scopuri industriale.
- Garanția nu este valabilă dacă daunele survin ca urmare a utilizării necorespunzătoare.
- Nu utilizați acest aparat într-un loc cu foarte mult praf și/sau foarte umed sau într-un loc cu riscuri de incendiu.
- Înainte de utilizare, asigurați-vă întotdeauna că aparatul, ștecărul și cablul de alimentare sunt în stare bună.
- Nu introduceți niciodată obiecte în aparat (de ex., ace etc.).
- Nu trageți de cablul de alimentare sau de aparat, nici măcar atunci când îl scoateți din priză.
- Desfășurați tot cablul înainte de utilizare..

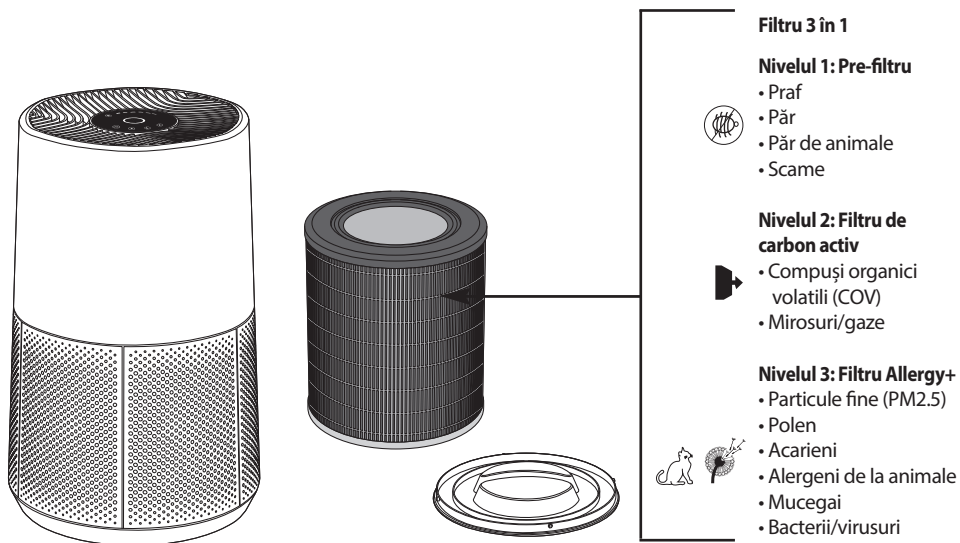
 În cazul în care pinii componentelor fișei sunt deteriorați, sursa de alimentare cu fișă va fi casată.

## FOARTE IMPORTANT

- **Nu acoperiți grilajele de admisie sau evacuare a aerului.**
- **Nu atingeți aparatul cu mâinile umede.**
- **Nu permiteți niciodată pătrunderea lichidelor în aparat.**
- **Nu utilizați niciodată aparatul într-un loc umed.**
- **Nu utilizați niciodată aparatul în apropierea unei surse de căldură.**
- **Nu așezați niciodată ceva pe aparat și nu introduceți nimic în acesta.**
- **Nu utilizați aparatul în apropierea obiectelor sau produselor inflamabile (draperii, aerosoli, solvenți etc.).**
- **Nu utilizați niciodată aparatul în poziție înclinată sau orizontală. Poziționați aparatul pe o suprafață plană și stabilă.**
- **În cazul unei absențe prelungite, opriți aparatul și scoateți-l din priză.**
- **Opriți și scoateți aparatul din priză înainte de mutarea acestuia.**
- **Scoateți purificatorul de aer din priză în timpul asamblării și curățării.**

## PRINCIPIU DE FUNCȚIONARE

Pure Air City vă permite să respirați aer curat în casă și vă protejează sănătatea, cu până la 3 niveluri de filtrare, conform descrierii de mai jos. Fiecare nivel este esențial și captează câte un poluant specific:

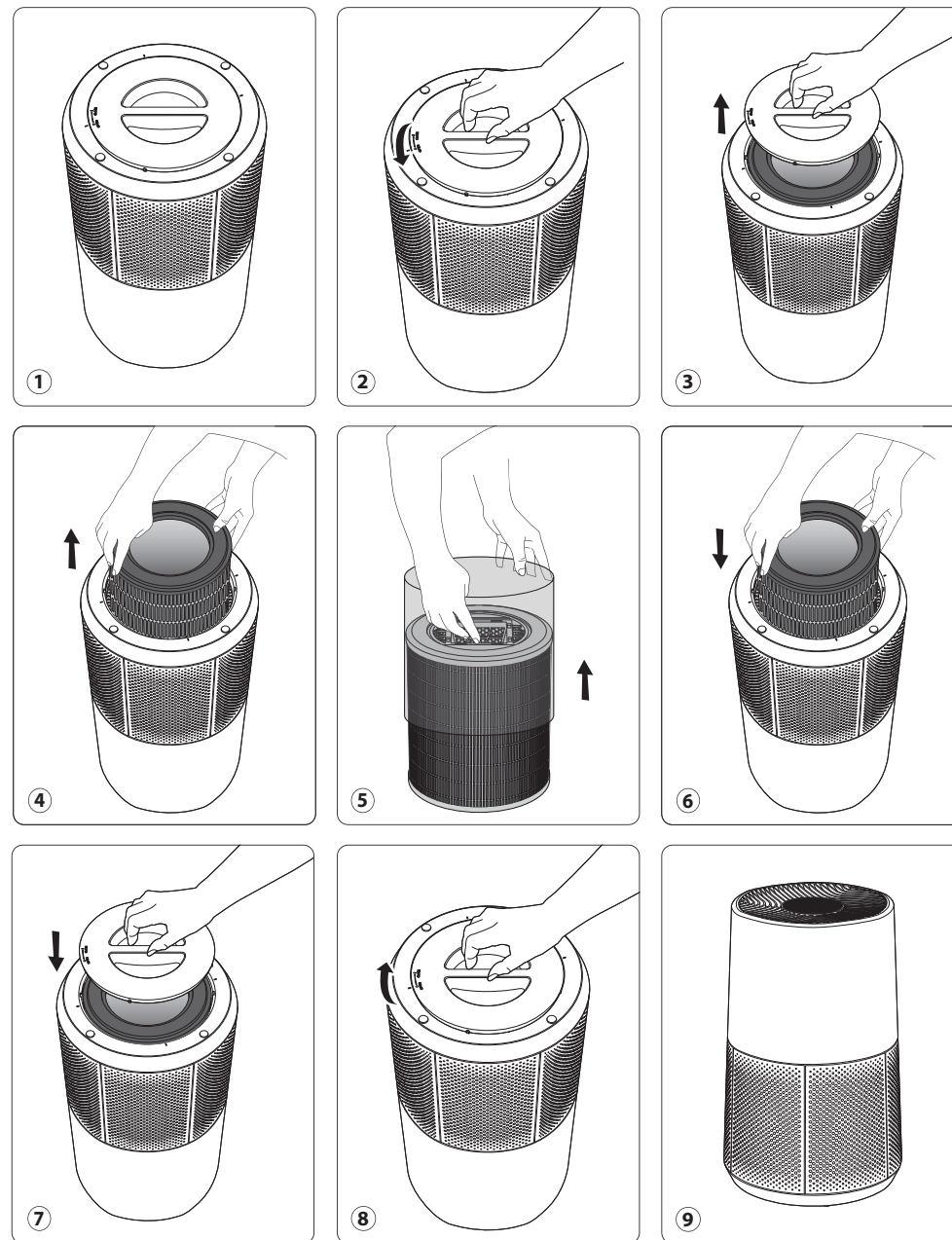


### „CUM SĂ OBTINEȚI UN AER MAI CURAT ÎN INTERIOR”

În afara utilizării purificatorului Pure Air City, iată câteva recomandări pentru a îmbunătăți calitatea aerului dvs. din interior:

- Aerisiți încăperile timp de cel puțin 10 min. în fiecare zi, vara și iarna.
- Întrețineți sistemul de ventilație.
- Limitați utilizarea produselor de uz casnic.
- Nu fumați la interior.
- Evitați parfumurile de interior, bețișoarele parfumate, lumânările parfumate etc.
- Aerisiți ori de câte ori se efectuează lucrări în locuința dvs. și timp de câteva săptămâni după aceea.
- Evitați plantele verzi care sunt alergene sau care necesită udare frecventă.

## DEMONTAREA/REMONTAREA FILTRELOR



RO



## UNDE SĂ INSTALAȚI APARATUL

Poziționați purificatorul pe o suprafață plană și stabilă în încăperea care necesită tratare. Pentru a permite aerului să circule liber, evitați așezarea aparatului în spatele draperiilor, sub ferestre sau în apropierea oricăror alte obstacole și lăsați cel puțin 60 cm de spațiu liber de o parte și de alta a aparatului.

## ÎNAINTE DE PRIMA UTILIZARE A APARATULUI

**Asigurați-vă că toate ambalajele din plastic care protejează filtrele au fost îndepărtate înainte de a utiliza aparatul.**

Înainte de prima utilizare, verificați ca tensiunea, frecvența și puterea aparatului să fie adecvate sursei dvs. de alimentare.

Aparatul dvs. poate funcționa folosind o priză fără împământare. EPS este un aparat de clasa II (izolare electrică dublă).

Înainte de a porni aparatul, asigurați-vă că:

- aparatul este complet asamblat, conform descrierii din instrucțiunile de siguranță;
- aparatul este amplasat pe o suprafață orizontală stabilă;
- aparatul este poziționat conform instrucțiunilor din acest manual;
- grilajele de admisie și evacuare a aerului nu sunt blocate în niciun fel;
- filtrele și capac au fost instalate corect (consultați secțiunea „Demontarea/Remontarea filtrelor”)

**IMPORTANT: Vă recomandăm să opriți aparatul și să-l scoateți din priză atunci când nu îl utilizați.**


## CONECTAREA PURIFICATORULUI LA INTERNET

Descărcați aplicația „Pure Air by Rowenta” și urmați instrucțiunile de pe smartphone-ul dvs.:

1. Dacă sunteți utilizator nou, înregistrați-vă pentru a vă crea un cont Rowenta. Sau conectați-vă în aplicație dacă deja aveți un cont.
2. Asigurați-vă că sunteți aproape de purificator în timpul asocierii (maximum 2 metri) și că purificatorul este în apropierea unui semnal Wi-Fi puternic.
3. Verificați dacă telefonul dvs. este conectat la rețeaua Wi-Fi locală.
4. Porniți purificatorul și țineți apăsat butonul Wi-Fi timp de 5 secunde (veți auzi sunetul „ding”, iar indicatorul Wi-Fi se va aprinde intermitent pentru a indica faptul că purificatorul dvs. s-a conectat cu succes la Wi-Fi.)
5. Alegeți rețeaua Wi-Fi și introduceți parola de rețea pentru a vă conecta la rețeaua dvs. locală Wi-Fi.
6. Ați terminat!

Indicatorul Wi-Fi se aprinde pentru a indica faptul că purificatorul dvs. s-a conectat cu succes la aplicația Pure Air by Rowenta.

## Funcția Wi-Fi

Pentru a începe o nouă asociere, apăsați pe butonul Wi-Fi  timp de 5 secunde.

- Când indicatorul luminos este aprins, produsul este asociat/conectat.
- Când indicatorul luminos clipește intermitent rapid, apoi lent, produsul se asociază/conectează la Wi-Fi/ servere.
- Când indicatorul luminos este stins, produsul nu este conectat.

## Probleme de conexiune

Dacă apar probleme de asociere între aparat și rețeaua Wi-Fi din casă, consultați informațiile enumerate în linkul următor:

<https://www.compatibility.groupeseb.com/CompatibilityList-Pureair-Rowenta.pdf>


<https://www.compatibility.groupeseb.com/CompatibilityList-Pureair-Tefal.pdf>

## FUNCȚIONARE


Pentru a obține cel mai bun efect de purificare, purificatorul dvs. ar trebui să fie la mai mult de 60 cm distanță de perete.

Apăsați butonul „Start/Stop (1)” 


- Apăsați acest buton pentru a porni/opri purificatorul

„Selectare viteză (2)” 

- Puteți alege manual viteza de purificare de la 1 la 6.

„Buton mod auto zi (4)” 

- Viteza de purificare este setată la 2, 4 sau 5, în funcție de nivelul calității aerului.
- Dacă nivelul de calitate a aerului este excelent, dispozitivul nu va funcționa.

„Mod de noapte (5)” 

- Viteza de purificare este setată la 1, 2 sau 3, în funcție de nivelul calității aerului.
- Dacă nivelul de calitate a aerului este excelent, dispozitivul nu va funcționa.
- Luminile de pe dispozitiv se sting automat după 5 secunde. Pentru a reporni panoul de comandă, apăsați orice buton.

„Siguranță pentru copii (3)” 

- Sistemul de blocare previne setarea greșită a purificatorului de aer în timpul funcționării.
- Pentru a-l activa, apăsați butonul (3) timp de 5 secunde până când se aprinde indicatorul panoului de comandă blocat. Pentru a părăsi acest mod, apăsați butonul (3) din nou timp de 5 secunde până când indicatorul se stinge. Atunci când acest mod este selectat, celelalte butoane sunt blocate.»

### • Indicarea calității aerului

Indicatorul de calitate a aerului este cercul luminos din jurul butonului start/stop. Indicatorul de calitate a aerului (7) se află pe „panoul de comandă (A)” al aparatului. Ledul va indica nivelul calității aerului:

Calitatea aerului	Culoare nivel de calitate a aerului
Excelentă	Albastru
Poluare ușoară	Verde
Poluare moderată	Galben
Poluare ridicată	Roșu

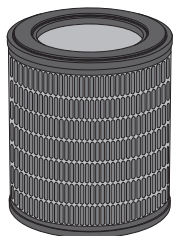
## ÎNGRIJIRE ȘI ÎNTREȚINERE

Înainte de a efectua orice operațiuni de întreținere, opriți întotdeauna purificatorul de aer folosind „butonul start/stop (1)” și scoateți-l din priză. Folosiți o lavetă umedă pentru a curăța suprafața produsului.

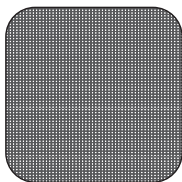
**Important: Nu folosiți materiale abrazive, deoarece acestea pot deteriora suprafața produsului.**

## FILTRU

Acest aparat este echipat cu 3 tipuri de filtre:



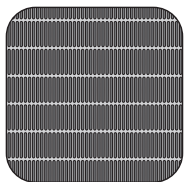
Pre-filtru



Filtru de carbon activ



Filtru de particule



**Frecvența curățării/înlocuirii filtrului:**

Filtrul	Acțiune	Cicluri
Pre-filtru	Curățați (îndepărtați praful)	La fiecare 2 – 4 săptămâni
Pre-filtru 3 în 1, filtru Allergy+, de carbon activ	Înlocuire	La fiecare 12 luni sau când indicatorul de schimbare a filtrului este aprins

Frecvența recomandată pentru înlocuirea filtrului poate varia în funcție de durata utilizării și de mediul de funcționare.

### IMPORTANT:

Indicatorul de schimbare a filtrului (6) este aprins atunci când filtrul trebuie înlocuit. Odată ce filtrul a fost înlocuit, țineți apăsat butonul timp de 5 secunde.

### Resetare forțată:

Dacă ați înlocuit filtrul înainte de terminarea duratei sale de viață, forțați resetarea ciclului filtrului:

1. Țineți apăsat butonul indicator de schimbare a filtrului (6) timp de 5 secunde.
2. Indicatorul este aprins. Țineți apăsat butonul timp de 5 secunde pentru a reseta ciclul filtrului.



### „SFATURI PENTRU SCHIMBAREA FILTRELOR”

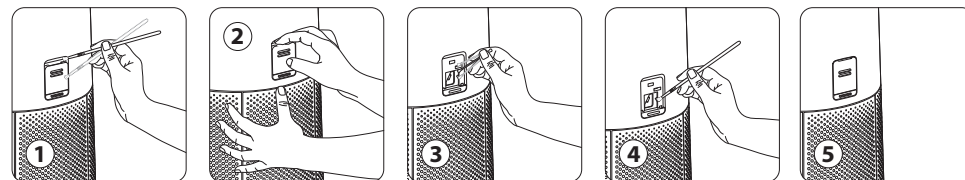
- Evitați manipularea filtrelor uzate dacă suferiți de alergii sau astm.
- Purtați mănuși atunci când înlocuiți filtrele sau spălați-vă bine pe mâini după aceea.
- Puneți filtrele uzate într-o pungă închisă ermetic înainte de a le arunca pentru a evita împrăștierea poluanților.

## SENZORII DE POLUARE

Senzorul de particule trebuie curățat în mod regulat (la fiecare 2 luni) și în mod adecvat.

**Asigurați-vă că opriți și scoateți aparatul din priză înainte de a curăța senzorii de poluare și urmați recomandările de mai jos:**

1. Curățați admisia și evacuarea folosind o perie sau o cârpă moale.
2. Deschideți capacul senzorului care se află în partea din spate a aparatului.
3. Umeziți un bețișor de urechi și îndepărtați praful de pe lentile și de pe admisie/evacuare. Ștergeți folosind un bețișor de urechi uscat.
4. Curățați senzorul folosind o perie moale sau un aspirator.
5. Puneți la loc capacul senzorului.



### IMPORTANT:

- Nu utilizați niciodată un detergent sau un obiect din metal pentru curățarea senzorilor.
- Eficiența senzorilor poate fi redusă dacă aceștia nu sunt curățați regulat.
- Frecvența curățării variază în funcție de mediul de funcționare al aparatului. Dacă acesta este utilizat într-un mediu cu praf, curățați senzorii mai frecvent.

## DEPOZITARE

Atunci când nu utilizați aparatul, depozitați-l într-un loc uscat și răcoros, în condiții ambientale sub 35°C 70% RH (umiditate relativă).

## ÎN CAZUL APARIȚIEI UNEI PROBLEME

- Nu dezamblați singur aparatul. Un aparat reparat necorespunzător poate fi periculos pentru utilizator.
- Verificați tabelul pentru depanare de mai jos înainte de a contacta un centru de service autorizat:

Problemă	Verificați	Soluția
<b>Aparatul nu pornește.</b>	Cablul de alimentare este conectat?	Conectați cablul de alimentare la o priză cu tensiunea corectă.
	Toate elementele afișajului sunt oprite?	Apăsați butonul de pornire/oprire și selectați funcția dorită.
	Aveți o pană de curent?	Puteți utiliza purificatorul de îndată ce revine alimentarea cu electricitate. Verificați ca aparatul să nu fie în modul auto Noapte.
<b>Fluxul de aer nu se schimbă automat.</b>	Aparatul este în modul manual?	Selectați modul corect de funcționare.
<b>Fluxul este mult mai slab decât înainte.</b>	Filtrul trebuie curățat sau înlocuit?	Verificați frecvența de înlocuire a filtrului și înlocuiți filtrul dacă este necesar.
		Verificați ca prefiltrul să nu aibă praf și curățați-l dacă este necesar.
<b>Din grilajul de evacuare a aerului iese miros neplăcut.</b>	Lumina încă indică o calitate a aerului slabă?	Verificați frecvența de înlocuire a filtrului și înlocuiți filtrul dacă este necesar.
<b>Indicatorul de calitate a aerului nu își schimbă culoarea.</b>	Lentila senzorului este acoperită cu praf?	Curățați lentila senzorului cu o perie moale.

RO

Problemă	Verificați	Soluția
<b>Purificatorul nu se conectează.</b>	Telefonul este conectat la rețeaua Wi-Fi personală de la începutul procesului?	Verificați dacă v-ați conectat la rețeaua Wi-Fi personală.
	Purificatorul nu se conectează?	Verificați dacă este conectat corespunzător la priză și este pornit.
	Ledul Wi-Fi al purificadorului nu luminează intermitent?	Țineți apăsat butonul Wi-Fi timp de 5 secunde.
	Prima asociere nu a funcționat?	Reporniți produsul pentru a încerca din nou.
	Telefonul este conectat la Wi-Fi, dar nu și purificatorul?	Asigurați-vă că cele două dispozitive sunt suficient de aproape unul de altul și de routerul Wi-Fi.
	Telefonul nu se conectează la Wi-Fi?	<ul style="list-style-type: none"> <li>• Verificați dacă routerul dvs. Wi-Fi este conectat la Internet</li> <li>• Verificați dacă parola Wi-Fi a fost schimbată</li> </ul>
<b>De ce nu a funcționat asocierea?</b>	Verificați compatibilitatea: <a href="https://www.compatibility.groupeseb.com/CompatibilityList-Pureair-Rowenta.pdf">https://www.compatibility.groupeseb.com/CompatibilityList-Pureair-Rowenta.pdf</a>	Tipul de criptare acceptat: WPA_1/WPA_2, TTKP, PSK, AES Rețelele acceptate: 2,4 GHz

**IMPORTANT: ÎN CAZ DE ANOMALIE SAU PIERDERE A CONEXIUNII, SCOATEȚI PURIFICATORUL DIN PRIZĂ TIMP DE CÂTEVA MINUTE ȘI APOI CONECTAȚI-L DIN NOU.**

## GARANȚIE

Întrerupeți utilizarea aparatului și contactați un centru de service autorizat dacă:

- aparatul a fost scăpat pe jos;
- aparatul sau cablul de alimentare sunt deteriorate;
- aparatul nu mai funcționează corespunzător.
- Puteți găsi o listă a centrelor de service autorizate pe certificatul de garanție internațională Rowenta.  
[www.rowenta.com](http://www.rowenta.com)

## RECICLARE

### SĂ PARTICIPĂM LA PROTECȚIA MEDIULUI!



① Aparatul dumneavoastră conține numeroase materiale valorificabile sau reciclabile.

➡ Predați aparatul la un punct de colectare pentru reciclare.

**Aceste instrucțiuni se regăsesc și pe site-ul nostru [www.rowenta.com](http://www.rowenta.com).**

#### DECLARAȚIA UE DE CONFORMITATE SIMPLIFICATĂ

Prin prezenta, GROUPE SEB declară că tipul de echipamente radio Purifier PU2840F0 este în conformitate cu Directiva 2014/53/UE.

Textul integral al declarației UE de conformitate este disponibil la următoarea adresă internet:  
<https://www.rowenta.ro/eu-declaration-of-conformity>

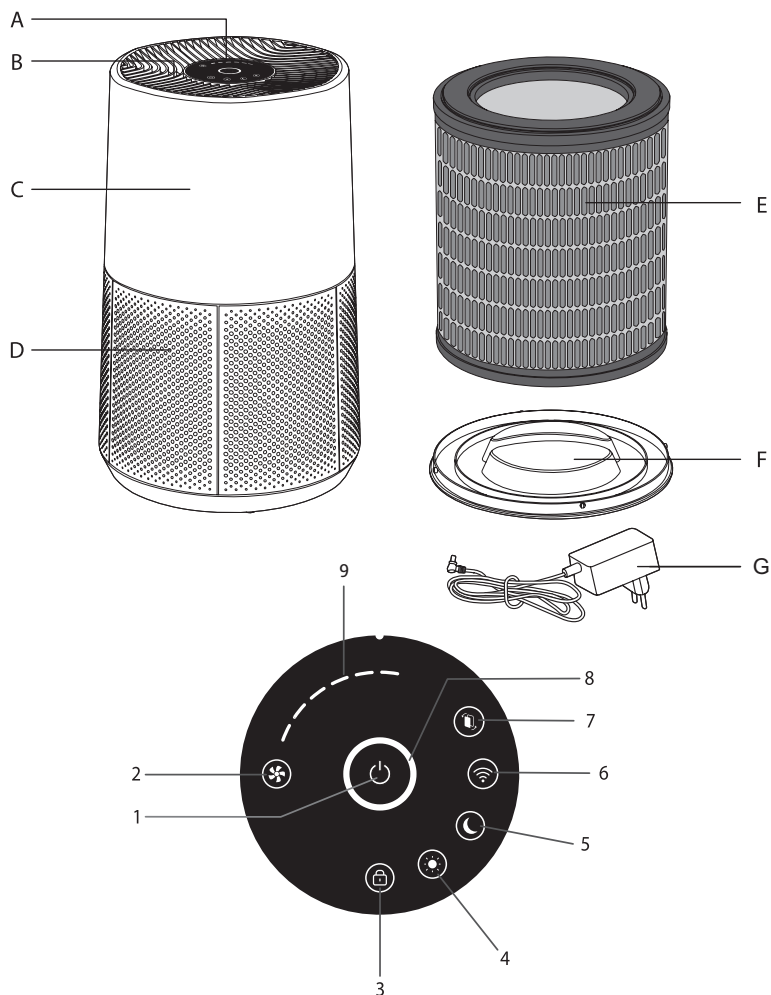
Frecvența benzii de funcționare: 2400-2483,50MHz (WiFi & Bluetooth)

Puterea maximă a frecvenței radio:

WiFi :	18 dBm
Bluetooth :	8 dBm

## **ОБОБЩЕНИЕ**

ОБЩ ПРЕГЛЕД НА ПРОДУКТА	94
ИНСТРУКЦИИ ЗА БЕЗОПАСНОСТ	95
МНОГО ВАЖНО	95
ПРИНЦИП НА РАБОТА	96
РАЗГЛОБЯВАНЕ/ПОВТОРНО СГЛОБЯВАНЕ НА ФИЛТРИТЕ	97
КЪДЕ ДА МОНТИРАТЕ УРЕДА	98
ПРЕДИ ПЪРВА УПОТРЕБА	98
КАК ДА СВЪРЖЕТЕ ПРЕЧИСТВАТЕЛЯ КЪМ ИНТЕРНЕТ	98
РАБОТА	99
ГРИЖИ И ПОДДРЪЖКА	99
СЪХРАНЕНИЕ	101
В СЛУЧАЙ НА ПРОБЛЕМ	101
ГАРАНЦИЯ	102
ДА УЧАСТВАМЕ В ОПАЗВАНЕТО НА ОКОЛНАТА СРЕДА!	102



## ОБЩ ПРЕГЛЕД НА ПРОДУКТА

### Акcesoари на главния корпус

- A. Контролен панел
- B. Изход за въздух
- C. Главен корпус
- D. Вход за въздух
- E. Филтър
- F. Капак на филтъра
- G. Адаптер

### Бутони за управление

- 1. Старт/стоп
- 2. Избор на скорост
- 3. Заклучване за предпазване на деца
- 4. Автоматичен дневен режим
- 5. Автоматичен нощен режим
- 6. Бутон за Wi-Fi
- 7. Индикатор за смяна на филтъра

### Светлинни индикатори на контролния панел

- 8. Индикатор за качеството на въздуха
- 9. Индикатор за избраната скорост

**Преди употреба прочетете внимателно инструкциите за употреба и безопасност и ги запазете за бъдещи справки.**

## ИНСТРУКЦИИ ЗА БЕЗОПАСНОСТ

### ПРЕДУПРЕЖДЕНИЯ

**От особена важност е да прочетете тези инструкции внимателно и да спазвате следните препоръки:**

- За ваша безопасност този уред отговаря на приложимите стандарти и регламенти (директивите за ниско напрежение, електромагнитна съвместимост, околната среда и др.).
- Този уред не трябва да се използва от лица (включително деца) с намалени физически, сетивни или умствени способности или липса на опит и знания, освен ако те не са под наблюдение или са получили инструкции предварително относно употребата на уреда от лице, отговорно за тяхната безопасност.
- Децата трябва да се наблюдават, за да се гарантира, че те не си играят с уреда.
- Този уред може да се използва от деца на възраст 8 години и по-големи, както и от лица с липса на опит или знания или от лица с намалени физически, сетивни или умствени способности само ако са под наблюдение или са получили обучение за безопасна работа с уреда и ако разбират свързаните с това рискове. Децата не трябва да си играят с уреда.
- Ако захранващият кабел е повреден, за да избегнете всякаква опасност, той трябва да бъде сменен от производителя, от следпродажбения му сервиз или от лице със сходна квалификация.
- Децата не трябва да почистват или да извършват поддръжка на уреда без надзор.
- За операции по поддръжката, моля, направете справка с раздел „поддръжка“.
- Дръжте уреда и неговия захранващ кабел извън обсега на деца под 8-годишна възраст.
- Този уред е предназначен за употреба само в домашни условия. Не трябва да се използва за професионални цели.
- Гаранцията ще бъде невалидна, ако възникне повреда поради неправилна употреба.
- Не използвайте този уред в прекомерно прашно и/или влажно място или на място, където има опасност от пожар.
- Преди употреба винаги се уверявайте, че уредът, щепселът и захранващият кабел са в изправно състояние.
- Никога не вкарвайте предмети в уреда (напр. игли и др.).
- Не дърпайте захранващия кабел или уреда дори и за да го изключите от контакта на стената.
- Развивайте кабела докрай преди употреба.

 Ако клемите на частите на щепсела са повредени, щепселното захранване трябва да бъде бракувано.

## МНОГО ВАЖНО

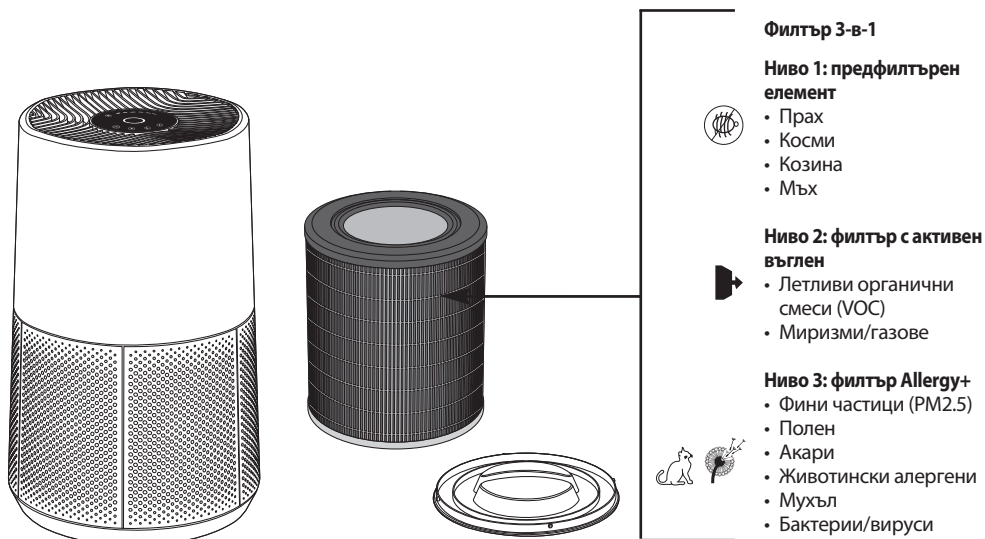
- **Не покривайте входовете за въздух или решетката на изхода за въздух.**
- **Не докосвайте уреда с влажни ръце.**
- **Никога не допускайте в уреда да попадне течност.**
- **Никога не използвайте уреда във влажно място.**
- **Никога не използвайте уреда в близост до източник на топлина.**
- **Никога не поставяйте предмети върху или в уреда.**
- **Не използвайте уреда в близост до запалими предмети или продукти (завеси, аерозоли, разтворители и др.).**
- **Никога не използвайте уреда в наклонено или хоризонтално положение. Поставете уреда върху равна и стабилна повърхност.**



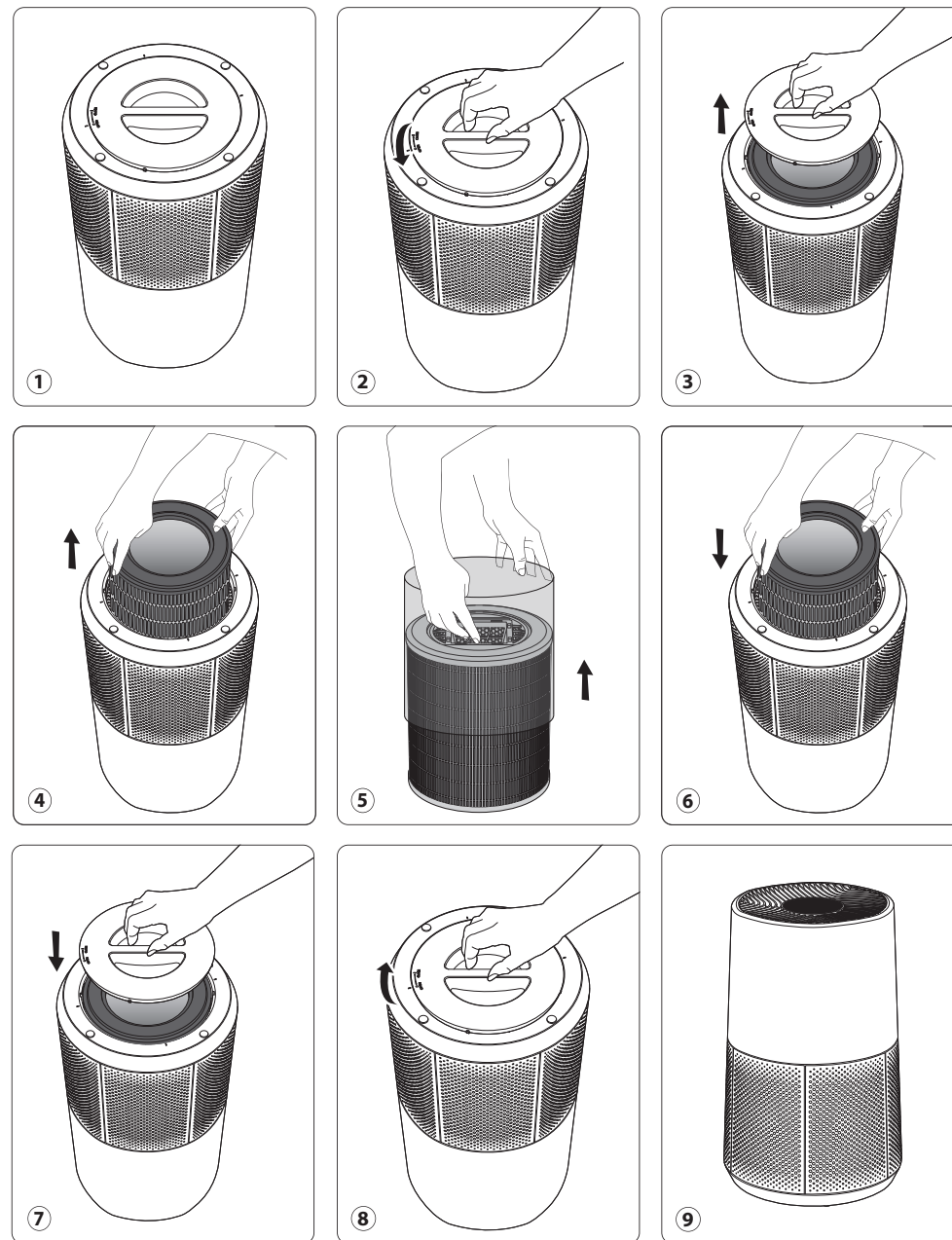
- В случай на продължително отсъствие: изключете уреда от бутона, след което го изключете и от контакта.
- Преди да местите уреда, го изключете от бутона и от контакта.
- По време на сглобяването и почистването пречиствателя за въздух трябва да е изключен от контакта.

## ПРИНЦИП НА РАБОТА

Pure Air City Ви дава възможност да дишате чист въздух в своя дом и предпазва здравето Ви с помощта на до 3 нива на филтриране, както е описано по-долу. Всяко ниво е важно и улавя конкретни замърсители:



## РАЗГЛОБЯВАНЕ/ПОВТОРНО СГЛОБЯВАНЕ НА ФИЛТРИТЕ



### «КАК ДА ПОСТИГНЕТЕ ПО-ЧИСТ ВЪЗДУХ НА ЗАКРИТО»

В допълнение към работата с Вашия пречиствател Pure Air City ето и няколко съвета за това как да подобрите качеството на въздуха на закрито:

- Проветрявайте стаите в продължение на поне 10 минути всеки ден през лятото и през зимата
- Поддържайте вентилационната си система
- Ограничете употребата на домакински продукти
- Не пушете в стаите
- Избягвайте ароматизатори за въздух, ароматни клечки, ароматизирани свещи и др.
- Проветрявайте винаги когато извършвате дадена ремонтна работа у дома, както и в продължение на няколко седмици след това
- Избягвайте зеленилистни растения, които са алергенни или такива, които се нуждаят от често поливане

## КЪДЕ ДА МОНТИРАТЕ УРЕДА

Поставете пречиствателя на равна и стабилна повърхност в стаята, която има нужда от третиране. За да позволите свободното циркулиране на въздуха, избягвайте поставянето на уреда зад завеси, под прозорец или в близост до каквото и да било друго препятствие и оставете поне 60 cm свободно пространство от всяка страна на уреда.

## ПРЕДИ ДА ИЗПОЛЗВАТЕ УРЕДА ЗА ПРЪВ ПЪТ

**Уверете се, че пластмасовата опаковка, защитаваща филтрите, е премахната, преди да използвате уреда.**

Преди първата употреба се уверете, че напрежението, честотата и мощността на Вашия уред са подходящи за Вашата електроснабдителна мрежа.

Вашият уред може да работи със захранване от незаземен щепсел. EPS е уред от клас II (двойна електрическа изолация).

Преди да включите уреда, се уверете, че:

- уредът е напълно сглобен, както е описано в инструкциите за безопасност,
- уредът е поставен върху стабилна хоризонтална повърхност,
- уредът е позициониран съгласно инструкциите в това ръководство,
- входовете за въздух и решетката на изхода за въздух са напълно открити,
- филтрите и Капак са монтирани правилно (вижте раздел „Разглобяване/повторно сглобяване на филтрите“)


**ВАЖНО: съветваме Ви, когато не използвате уреда, да го изключвате от бутона и от контакта.**

## КАК ДА СВЪРЖЕТЕ ПРЕЧИСТВАТЕЛЯ КЪМ ИНТЕРНЕТ

Изгледете приложението «Pure Air by Rowenta» и следвайте инструкциите на смартфона Ви:

1. Влезте, за да създадете своя акаунт в Rowenta, ако сте нови потребители. Или влезте в приложението, ако вече имате акаунт.
2. Стойте близо до пречиствателя по време на сдвояването (на максимум 2 метра) и че сте поставили пречиствателя близо до силен Wi-Fi сигнал.
3. Уверете се, че телефонът Ви е свързан с Вашата локална Wi-Fi мрежа.
4. Включете своя пречиствател и задръжте бутона за Wi-Fi натиснат в продължение на 5 секунди (ще чуете «звън» и индикаторът за Wi-Fi ще започне да мига, за да покаже, че пречиствателят Ви е успешно свързан към Wi-Fi.)
5. Изберете своята Wi-Fi мрежа и въведете паролата на мрежата, за да се свържете към Вашата локална Wi-Fi мрежа.
6. И сте готови!  
Индикаторът за Wi-Fi светва, за да покаже, че Вашият пречиствател е успешно свързан към приложението Pure air by Rowenta.

## Wi-Fi функция

За да стартирате ново сдвояване, натиснете бутона за Wi-Fi  в продължение на 5 секунди.

- Когато светлинният индикатор свети, продуктът е сдвоен/свързан.
- Когато светлинният индикатор мига бързо и след това бавно, продуктът се сдвоява/свързва с Wi-Fi сървърите.
- Когато светлинният индикатор не свети, продуктът не е свързан.

## Проблеми при свързване

В случай на проблеми със сдвояването между уреда и Вашата домашна Wi-Fi мрежа, направете справка с информацията, посочена на следната връзка:

<https://www.compatibility.groupeseb.com/CompatibilityList-Pureair-Rowenta.pdf>

<https://www.compatibility.groupeseb.com/CompatibilityList-Pureair-Tefal.pdf>

## РАБОТА

За да постигнете най-добър ефект на пречистване, вашият пречиствател трябва да е на повече от 60 cm от стената.

« Старт/стоп (1) » на захранването 

– За да включите/изключите пречиствателя за въздух, натиснете този бутон

« Избор на скорост (2) » 

– Можете ръчно да изберете скоростта на пречистване от скорост 1 до скорост 6.

« Бутон за автоматичен дневен режим (4) » 

– Скоростта на пречистване е зададена на скорост 2, скорост 4 или скорост 5 според нивото на качество на въздуха.


– Ако нивото на качество на въздуха е отлично, тогава устройството не работи.

« Режим на сън (5) » 

– Скоростта на пречистване е зададена на скорост 1, скорост 2 или скорост 3 според нивото на качество на въздуха.

– Ако нивото на качество на въздуха е отлично, тогава устройството не работи.

– Светлините на устройството се изключват автоматично след 5 секунди. За да включите отново контролния панел, натиснете един от бутоните.

« Заклучване за предпазване на деца (3) » 

– Системата за заклучване предотвратява случайна грешна настройка на пречиствателя по време на работа.

– За да я активирате, натиснете бутона (3) в продължение на 5 секунди, докато светне индикаторът за заклучен контролен панел.

За да излезете от този режим, натиснете бутона (3) отново в продължение на 5 секунди, докато индикаторът изгасне. Когато бъде избран, останалите бутони са заклучени.

### • Индикатор за качеството на въздуха

Индикаторът за качеството на въздуха е светлинният пръстен около бутона за старт/стоп. Индикаторът за качеството на въздуха (7) се намира на « Контролен панел (A) » на уреда. Светодиодът ще показва нивото на качество на въздуха:

Качество на въздуха	Цвят на нивото на качество на въздуха
Отлично	Син
Леко замърсяване	Зелен
Умерено замърсяване	Жълт
Силно замърсяване	Червен

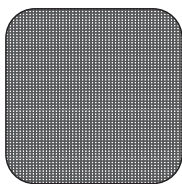
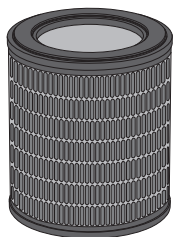
## ГРИЖИ И ПОДДРЪЖКА

**Преди да извършвате каквито и да било дейности по поддръжката, винаги изключвайте пречиствателя за въздух от « бутона за старт/стоп (1) » и го изключвайте от контакта. Използвайте влажна кърпа, за да почистите повърхността на продукта.**

**Важно: не използвайте абразивни продукти, тъй като те може да повредят повърхността на продукта.**

## ФИЛТЪР

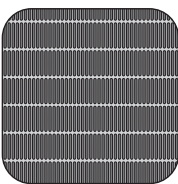
Този уред разполага с 3 типа филтри:



Предфилтърен елемент



Филтър с активен въглен



Филтър за фини частици

Честота на почистване/смяна на филтъра:

Филтър	Действие	Цикли
Предфилтърен елемент	Почистване (отстраняване на прах)	На всеки 2 до 4 седмици
Предфилтърен елемент 3-в-1, филтър Allergy+, филтър с активен въглен	Смяна	На всеки 12 месеца или когато индикаторът за смяна на филтъра свети

Препоръчителната честота за смяна на филтъра може да варира в зависимост от продължителността на употреба и работната среда.

### ВАЖНО:

Индикаторът за смяна на филтъра (6) свети, когато трябва да се смени филтърът. След като филтърът бъде сменен, задръжте бутона натиснат в продължение на 5 секунди.

### Принудително нулиране:

Ако сте сменили филтъра преди края на жизнения му цикъл, нулирайте принудително цикъла на филтъра:

- Задръжте индикатора за смяна на филтъра (6) натиснат в продължение на 5 секунди.
- Индикаторът свети. Задръжте бутона натиснат в продължение на 5 секунди, за да нулирате цикъла на филтъра.



### « СЪВЕТИ ЗА СМЯНА НА ФИЛТРИ »

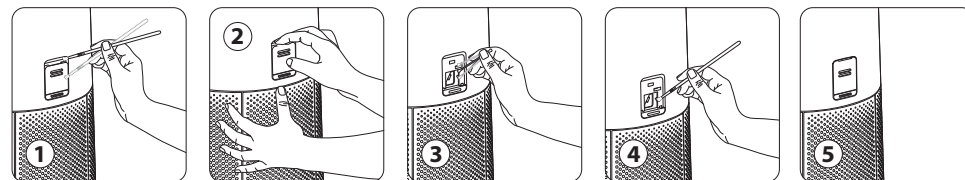
- Избягвайте боравенето с използвани филтри, ако страдате от алергии или астма.
- Носете ръкавици, когато смените филтрите, или измивайте ръцете си добре след това.
- Поставяйте използваните филтри директно в херметически затворена торба, преди да ги изхвърлите, за да избегнете замърсяване.

## СЕНЗОР ЗА ЗАМЪРСЯВАНЕ

Сензорът за фини частици трябва да се почиства редовно (на всеки 2 месеца) и правилно.

Преди да почистите сензорите за замърсяване, се уверете, че сте изключили уреда от бутона и от контакта, и следвайте препоръките по-долу:

- Почистете входа и изхода за въздух с мека четка или кърпа.
- Отворете капака на сензора, разположен в задната част на уреда.
- Леко навлажнете памучна кърпа и премахнете праха от лещата и входа/изхода. Избършете със суха памучна кърпа.
- Почистете сензора с мека четка или с прахосмукачка.
- Сменете капака на сензора



### ВАЖНО:

- Никога не използвайте почистващ препарат или метален предмет за почистване на сензорите.
- Ефективността на сензорите може да намалее, ако не се почистват редовно.
- Честотата на почистване варира в зависимост от работната среда на уреда. Ако се използва в прашна среда, почиствайте сензорите по-често.

## СЪХРАНЕНИЕ

Когато не използвате уреда, го съхранявайте на хладно и сухо място с условия на околната среда, не по-високи от 35°C и 70% ОВ.

## В СЛУЧАЙ НА ПРОБЛЕМ

- Не разглобявайте уреда сами. Лошо ремонтираният уред може да бъде опасен за потребителя.
- Направете справка с таблицата за отстраняване на неизправности по-долу, преди да се свържете с оторизиран сервизен център:

Проблем	Проверка	Решение
Уредът не се включва.	Захранващият кабел свързан ли е?	Свържете захранващия кабел към контакт с правилното напрежение.
	Изключени ли са всички елементи по дисплея?	Натиснете бутона за вкл./изкл. и изберете необходимата функция.
	Има ли спиране в електрозахранването?	Можете да използвате Вашия пречиствател, след като захранването бъде възстановено. Проверете дали Вашият уред не е в автоматичен нощен режим.
Въздушният поток не се променя автоматично.	Уредът в ръчен режим ли е?	Изберете правилния режим на работа.
Потоъкът е много слаб от преди.	Филтърът има ли нужда от почистване или смяна?	Проверете честотата на смяна на филтъра и го сменете, ако е необходимо.
		Проверете дали предфилтърният елемент няма прах и го почистете, ако е необходимо.
Има неприятна миризма, идваща от изхода за въздух.	Светлинният индикатор още ли показва лошо качество на въздуха?	Проверете честотата на смяна на филтъра и го сменете, ако е необходимо.
Индикаторът за качество на въздуха не променя цвета си.	Има ли прах по лещата на сензора?	Почистете лещата на сензора с мека етка.

BG

Проблем	Проверка	Решение
<b>Пречиствателят не се свързва</b>	В началото на процеса Вашият телефон свързан ли е към Вашата домашна Wi-Fi мрежа?	Уверете се, че сте свързани към Вашата домашна Wi-Fi мрежа.
	Пречиствателят не се свързва?	Проверете дали пречиствателят е включен в контакта и включен от бутона.
	Светодиодът за Wi-Fi на Вашия пречиствател не мига?	Задръжте натиснат бутона за Wi-Fi в продължение на 5 секунди.
	Първото вдвояване не беше успешно?	Рестартирайте продукта за повторен опит.
	Моят телефон е свързан към Wi-Fi, но не към пречиствателя?	Уверете се, че двете устройства са достатъчно близо едно до друго и близо до Wi-Fi рутера.
	Моят телефон не се свързва към Wi-Fi?	<ul style="list-style-type: none"> <li>• Проверете дали Вашият Wi-Fi рутер е свързан към интернет</li> <li>• Проверете дали паролата за Wi-Fi не е променена</li> </ul>
<b>Защо вдвояването не беше успешно?</b>	Проверете съвместимостта: <a href="https://www.compatibility.groupeseb.com/CompatibilityList-Pureair-Rowenta.pdf">https://www.compatibility.groupeseb.com/CompatibilityList-Pureair-Rowenta.pdf</a>	Поддържан тип криптиране: WPA_1/WPA_2, TTKP; PSK, AES Поддържани мрежи: 2,4 GHz

**ВАЖНО: В СЛУЧАЙ НА АНОМАЛИЯ ИЛИ ПРЕКЪСНАТА ВРЪЗКА, МОЛЯ, ИЗКЛУЧЕТЕ ПРЕЧИСТВАТЕЛЯ ОТ КОНТАКТА В ПРОДЪЛЖЕНИЕ НА НЯКОЛКО МИНУТИ И СЛЕД ТОВА ОТНОВО ГО ВКЛУЧЕТЕ.**

## РЕЦИКЛИРАНЕ

Не използвайте уреда и се свържете с одобрен сервизен център, ако:

- Уредът Ви е бил изпуснат на земята;
- Уредът Ви или захранващият му кабел е повреден;
- Уредът Ви вече не работи правилно.
- Можете да намерите списък на одобрените сервизни центрове на международната гаранционна карта на Rowenta. [www.rowenta.com](http://www.rowenta.com)

## РЕЦИКЛИРАНЕ

### ДА УЧАСТВАМЕ В ОПАЗВАНЕТО НА ОКОЛНАТА СРЕДА!



- ① Уредът е изработен от различни материали, които могат да се предадат на вторични суровини или да се рециклират.
- ➔ Занесете го в центъра за вторични суровини или в оторизирания сервиз, където той ще бъде рециклиран.

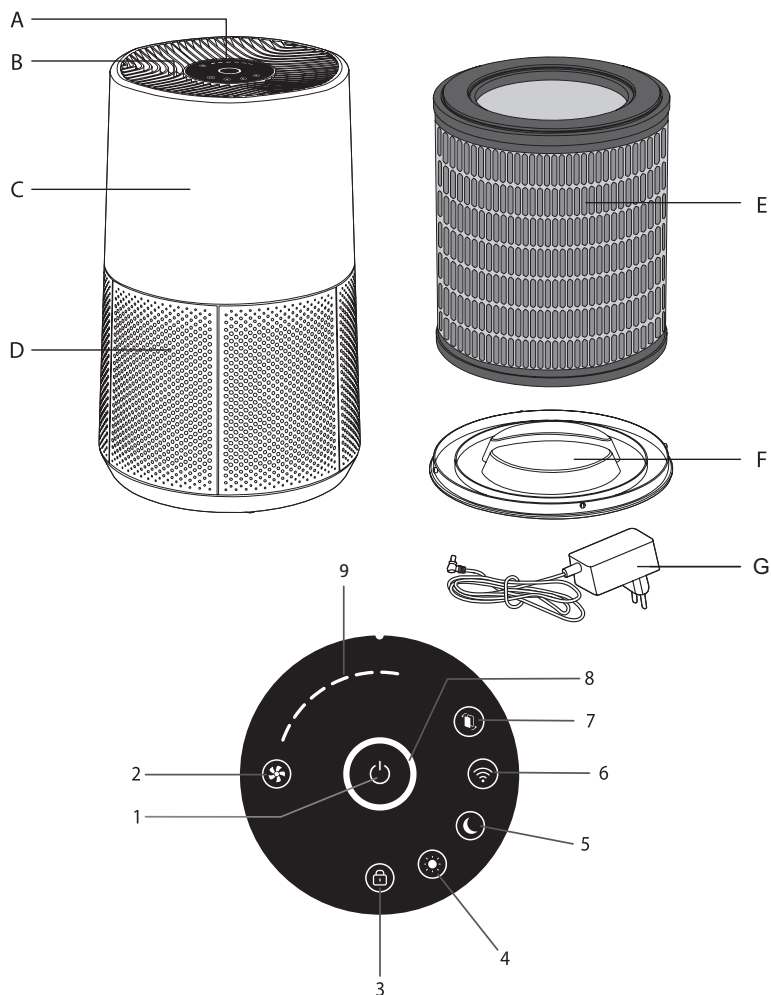
Тези инструкции могат да бъдат намерени и на нашия интернет сайт на адрес: [www.rowenta.com](http://www.rowenta.com)

<b>ОПРОСТЕНА ЕС ДЕКЛАРАЦИЯ ЗА СЪОТВЕТСТВИЕ</b>		
С настоящото GROUPE SEB декларира, че този тип радиосъоръжение Purifier PU2840F0 е в съответствие с Директива 2014/53/ЕС.		
Цялостният текст на ЕС декларацията за съответствие може да се намери на следния интернет адрес: <b><a href="https://www.rowenta.bg/eu-declaration-of-conformity">https://www.rowenta.bg/eu-declaration-of-conformity</a></b>		
Работна честотна лента: 2400-2483,50MHz (WiFi & Bluetooth)		
Максимална радио-честотна мощност:	WiFi :	18 dBm
	Bluetooth :	8 dBm

## PREHĽAD

PREHĽAD PRODUKTU	104
BEZPEČNOSTNÉ INŠTRUKCIE	105
VEĽMI EXTERIÉRI	105
PRINCÍP PREVÁDZKY	106
DEMONTÁŽ/OPĀTOVNÁ MONTÁŽ FILTROV	107
KDE INŠTALOVAŤ SPOTREBIČ	108
PRED PRVÝM POUŽITÍM	108
AKO PRIPOJIŤ ČISTIČKU K INTERNETU	108
PREVÁDZKA	109
STAROSTLIVOSŤ A ÚDRŽBA	109
USKLADNENIE	111
V PRÍPADE PROBLÉMU	111
ZÁRUKA	112
PODIEĽAJME SA NA OCHRANE ŽIVOTNÉHO PROSTREDIA!	112





## PREHĽAD VÝROBKU

### Príslušenstvo hlavného telesa

- A. Ovládací panel
- B. Výstup vzduchu
- C. Hlavné telo
- D. Vstup vzduchu
- E. Filter
- F. Kryt filtra
- G. Adaptér

### Ovládacie tlačidlá

- 1. Štart/Stop
- 2. Výber rýchlosti
- 3. Detská poistka
- 4. Automatický režim Deň
- 5. Automatický režim Noc
- 6. Tlačidlo Wifi
- 7. Indikátor výmeny filtra

### Svetlá ovládacieho aela

- 8. Indikátor kvality vzduchu
- 9. Indikátor zvolenej rýchlosti

**Pred použitím si pozorne prečítajte návod na použitie a bezpečnostné pokyny a uchovajte si ich pre prípad ďalšej potreby.**

## BEZPEČNOSTNÉ POKYNY

### VAROVANIA:

**Je dôležité, aby ste si pozorne prečítali tieto pokyny a dodržiavali nasledujúce odporúčania:**

- Z dôvodu vašej bezpečnosti je tento spotrebič v súlade s platnými normami a predpismi (smernice o nízkom napätí, elektromagnetickej kompatibilite, životnom prostredí atď.).
- Tento spotrebič nesmú používať osoby (vrátane detí) s obmedzenými fyzickými, zmyslovými alebo duševnými schopnosťami alebo nedostatkom skúseností a znalostí, ak tieto osoby nie sú pod dohľadom alebo nie sú riadne poučené z hľadiska použitia spotrebiča zo strany osoby zodpovednej za ich bezpečnosť.
- Dozrite na to, aby sa so spotrebičom nehrali deti.
- Spotrebič môžu používať deti vo veku 8 rokov a staršie a osoby s nedostatkom skúseností alebo vedomostí alebo zníženými fyzickými, zmyslovými alebo duševnými schopnosťami za predpokladu, že sú pod dohľadom, boli poučené o bezpečnom používaní spotrebiča a sú si vedomé súvisiacich rizík. Deti sa nesmú so spotrebičom hrať.
- Ak je poškodený napájací kábel, musí ho nahradiť výrobca, jeho záručný servis alebo osoba s podobnou kvalifikáciou, aby sa predišlo akémukoľvek nebezpečenstvu.
- Deti nesmú čistiť spotrebič ani vykonávať jeho údržbu, ak nie sú pod dohľadom.
- Operácie údržby nájdete v časti „údržba“.
- Uchovávajte spotrebič a jeho napájací kábel mimo dosahu detí vo veku do 8 rokov.
- Tento spotrebič je určený len na použitie v domácnosti. Nesmie sa používať na priemyselné účely.
- Záruka sa zruší, ak dôjde k poškodeniu v dôsledku nesprávneho používania.
- Nepoužívajte tento spotrebič na veľmi prašnom a/alebo vlhkom mieste alebo na mieste s nebezpečenstvom požiaru.
- Pred použitím vždy skontrolujte, či je spotrebič, zástrčka a napájací kábel v dobrom stave.
- Do spotrebiča nikdy nekladajte žiadne predmety (napr. ihly atď.).
- Neťahajte za napájací kábel alebo spotrebič ani pri jeho odpájaní zo sieťovej zásuvky.
- Pred použitím rozviňte kábel po celej jeho dĺžke.

V prípade poškodenia kolíkov zástrčky vyradte zásuvný sieťový zdroj.

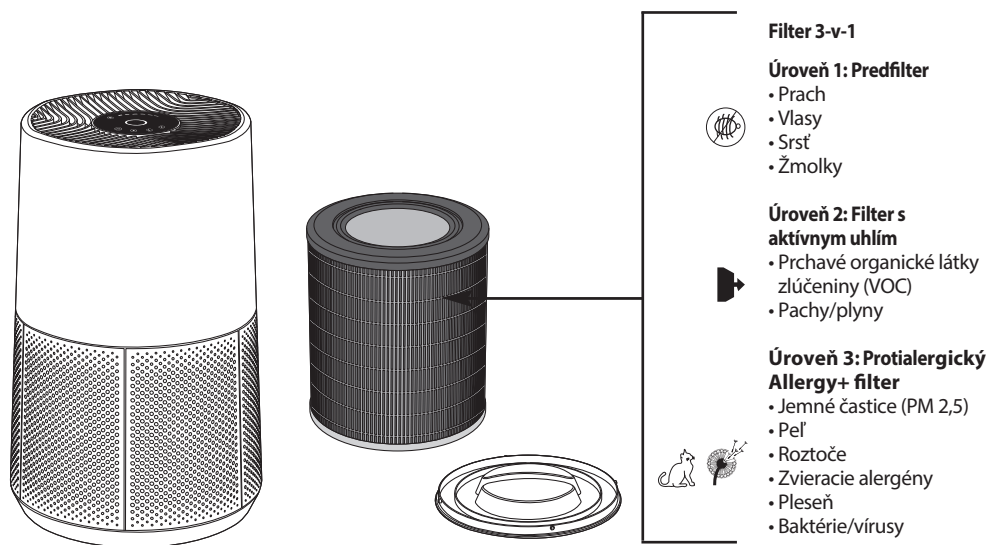
## VEĽMI DÔLEŽITÉ

- **Nezakrývajte prívod vzduchu alebo mriežku výfuku vzduchu.**
- **Spotrebiča sa nedotýkajte, ak máte mokré ruky.**
- **Nikdy nedovoľte, aby sa do spotrebiča dostala akákoľvek kvapalina.**
- **Spotrebič nikdy nepoužívajte na vlhkom mieste.**
- **Spotrebič nikdy nepoužívajte v blízkosti zdroja tepla.**
- **Na spotrebič nikdy nič nekladte ani doň nič nekladajte.**
- **Spotrebič nepoužívajte v blízkosti horľavých predmetov alebo výrobkov (záclony, aerosóly, rozpúšťadlá atď.).**
- **Zariadenie nikdy nepoužívajte v naklonenej alebo vodorovnej polohe.**
- **Spotrebič umiestnite na rovný a stabilný povrch.**
- **V prípade dlhodobej neprítomnosti: vypnite spotrebič a odpojte ho.**
- **Spotrebič pred premiestnením vypnite a odpojte zo siete.**
- **Pri montáži a čistení musí byť čistička vzduchu odpojená zo siete.**

SK

## PRINCÍP PREVÁDZKY

Vďaka Pure Air City môžete vo svojej domácnosti dýchať čistý vzduch a vaše zdravie je chránené až 3 úrovňami filtrácie ako je opísané nižšie. Každá úroveň je nevyhnutná a zachytáva špecifickú znečisťujúcu látku:

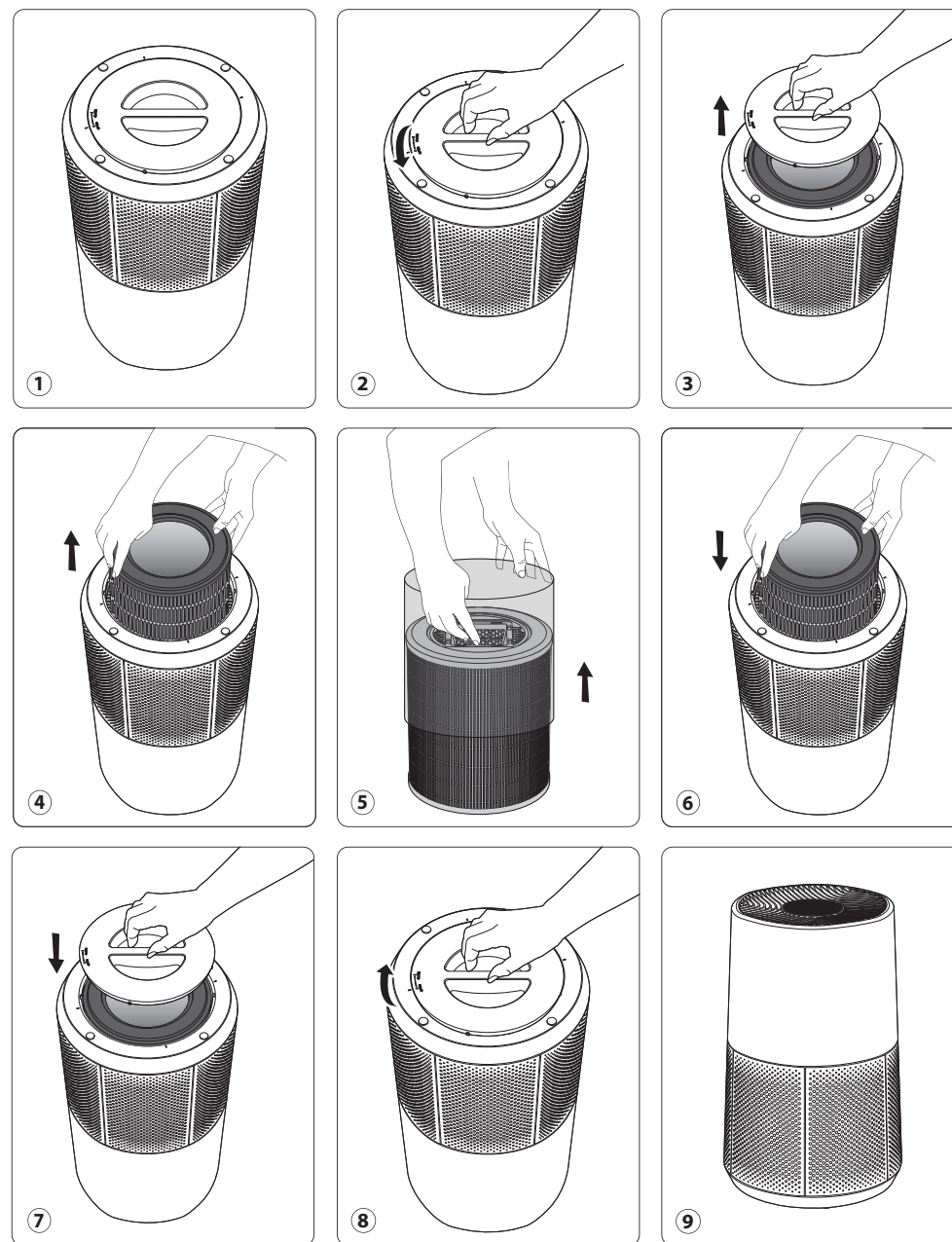


### « AKO DOSIAHNUŤ ČISTEJŠÍ VZDUCH V INTERIÉRI »

Okrem použitia čističky vzduchu Pure Air City tu nájdete niekoľko tipov, ako zlepšiť kvalitu vnútorného vzduchu:

- Miestnosti vetrajte aspoň 10 min. každý deň, v lete aj v zime
- Udržujte systém ventilácie
- Obmedzte používanie prostriedkov pre domácnosť
- Nefajčite v uzavretých priestoroch
- Vyhnite sa domácim vôňam, vonným tyčinkám, vonným sviečkam atď.
- Vetrajte vždy, keď sa vo vašej domácnosti vykonávajú akékoľvek práce, ako aj pár týždňov potom
- Vyhnite sa izbovým rastlinám, ktoré sú alergénne alebo potrebujú časté zavlažovanie

## DEMONTÁŽ/OPĀTOVNÁ MONTÁŽ FILTROV



SK

## KDE INŠTALOVAŤ SPOTREBIČ

Čističku umiestnite na rovný a stabilný povrch v miestnosti vyžadujúcej úpravu vzduchu. Aby ste umožnili voľné prúdenie vzduchu, neumiestňujte spotrebič za závesy, pod okno, ani do blízkosti akejkoľvek prekážky. Okolo spotrebiča ponechajte minimálne 60 cm voľného priestoru.

## PRED PRVÝM POUŽITÍM SPOTREBIČA

**Pred použitím spotrebiča sa uistite, že boli odstránené plastové obaly chrániace filtre.**

Pred prvým použitím sa uistite, že napätie, frekvencia a výkon spotrebiča vyhovujú vášmu zdroju elektrického napájania.

Váš spotrebič môže fungovať s použitím neuzemnenej zástrčky. EPS patrí do triedy II (dvojitá elektrická izolácia).

Pred zapnutím spotrebiča sa uistite, že:

- spotrebič je kompletne zmontovaný podľa popisu v bezpečnostných pokynoch,
- spotrebič je umiestnený na stabilnom vodorovnom povrchu,
- spotrebič je umiestnený v súlade s pokynmi uvedenými v tomto návode,
- privody vzduchu a výstupná mriežka nie sú blokované žiadnou prekážkou
- filtre a kryt boli správne nainštalované (pozrite si časť „Demontáž/opätovná montáž filtra“)

**DÔLEŽITÉ: Ak spotrebič nepoužívate, odporúčame vám ho vypnúť a odpojiť od siete.**


## AKO PRIPOJIŤ ČISTIČKU K INTERNETU

Stiahnite si aplikáciu «Pure Air by Rowenta» a postupujte podľa pokynov na vašom smartfóne:

1. Ak ste nový používateľ, prihláste sa a vytvorte si svoj účet Rowenta. Alebo sa prihláste do aplikácie, ak už máte účet.
2. Počas párovania sa uistite, že stojíte blízko čističky (maximálne 2 metre) a čistička sa nachádza v blízkosti silného signálu Wi-Fi.
3. Uistite sa, že je váš telefón pripojený k miestnej sieti Wi-Fi.
4. Zapnite čističku a podržte tlačidlo Wi-Fi na 5 sekundy (budete počuť zvuk „cinkania“ a indikátor Wi-Fi bude blikať, čo znamená, že vaša čistička je úspešne pripojená k sieti Wi-Fi.)
5. Vyberte si sieť Wi-Fi a zadajte heslo siete na pripojenie k miestnej sieti Wi-Fi.
6. A máte hotovo!

Indikátor Wi-Fi sa rozsvieti, čo znamená, že vaša čistička je úspešne pripojená k aplikácii Pure air by Rowenta.

## Funkcia Wi-fi

Ak chcete spustiť nové párovanie, stlačte tlačidlo Wi-Fi  na 5 sekundy.

- Keď svetlo svieti, výrobok je spárovaný/pripojený.
- Keď svetlo blikať rýchlo a potom pomaly, výrobok sa páruje/pripája k ieti Wi-Fi/serverom.
- Keď svetlo nesvieti, výrobok nie je spárovaný/pripojený.

## Problémy s pripojením

V prípade problémov s párovaním medzi spotrebičom a vašou domácou sieťou Wi-Fi si pozrite informácie uvedené na nasledujúcom odkaze:

<https://www.compatibility.groupeseb.com/CompatibilityList-Pureair-Rowenta.pdf>

<https://www.compatibility.groupeseb.com/CompatibilityList-Pureair-Tefal.pdf>

## PREVÁDZKA

Aby ste dosiahli čo najlepší čistiaci účinok, vaša čistička by mala byť od steny vzdialená viac ako 60 cm.

Napájanie « Štart/Stop (1) » 

– Stlačením tohto tlačidla zapnete/vypnete čističku vzduchu

« Voľba rýchlosti (2) » 

– Rýchlosť čistenia si môžete zvoliť manuálne od rýchlosti 1 do rýchlosti 6.

« Tlačidlo automatického režimu Deň (4) » 

– Rýchlosť čistenia je nastavená na rýchlosť 2, rýchlosť 4 alebo rýchlosť 5 podľa úrovne kvality vzduchu.  
– Ak je úroveň kvality vzduchu vynikajúca, spotrebič nepracuje.

« Režim spánku (5) » 

– Rýchlosť čistenia je nastavená na rýchlosť 1, rýchlosť 2 alebo rýchlosť 3 podľa úrovne kvality vzduchu.  
– Ak je úroveň kvality vzduchu vynikajúca, spotrebič nepracuje.  
– Svetlá na zariadení sa po 5 sekundách automaticky vypnú. Ak chcete ovládací panel znova zapnúť, stlačte jedno z tlačidiel.

« Detská poistka (3) » 

– Systém uzamknutia zabraňuje náhodnému nesprávnemu nastaveniu čističky počas prevádzky.  
– Ak ho chcete aktivovať, stlačte tlačidlo (3) na 5 sekundy, kým sa nerozsvieti indikátor uzamknutia ovládacieho panela.  
Ak chcete tento režim opustiť, znova stlačte tlačidlo (3) na 5 sekundy, kým indikátor nezhasne. Po výbere sú ostatné tlačidlá uzamknuté.

### • Indikátor kvality vzduchu

Indikátor kvality vzduchu je svetelný kruh okolo tlačidla štart/stop. Indikátor kvality vzduchu (7) sa nachádza na « ovládacom paneli (A) » spotrebiča. LED dióda bude indikovať úroveň kvality vzduchu:

Kvalita vzduchu	Farba úrovne kvality vzduchu
Vynikajúca	Modrá
Mierne znečistenie	Zelená
Stredne silné znečistenie	Žltá
Silné znečistenie	Červená

SK

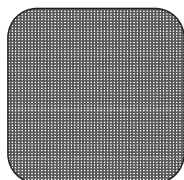
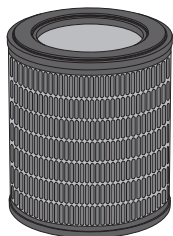
## STAROSTLIVOSŤ A ÚDRŽBA

**Pred vykonaním akejkoľvek údržby vždy vypnite čističku vzduchu pomocou « tlačidla štart/stop (1) » a odpojte ju. Na čistenie povrchu výrobku použite navhčenú handričku.**

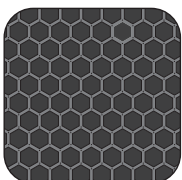
**Dôležité: Nepoužívajte žiadne abrazívne materiály, pretože by mohli poškodiť povrch výrobku.**

## FILTER

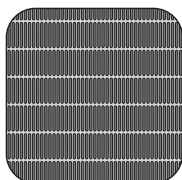
Tento spotrebič je vybavený 3 typmi filtrov:



Predfilter



Filter s  
aktívnym uhlím



Časticový  
filter

### Frequency of cleaning/replacing the filter :

Filter	Úkon	Cykly
Predfilter	Čistenie (odstránenie prachu)	Každé 2 až 4 týždne
3-v-1 predfilter, allergy + filter, aktívny uhlík	Vymeniť	Každých 12 mesiacov alebo po rozsvietení indikátora výmeny filtra

Odporúčaná frekvencia výmeny filtra sa môže líšiť v závislosti od dĺžky trvania použitia a prevádzkového prostredia.

### DÔLEŽITÉ:

Indikátor výmeny filtra (6) svieti, keď je potrebné vymeniť filter. Po výmene filtra podržte tlačidlo na 5 sekundy.

### Nútený reset:

Ak ste filter vymenili pred koncom jeho životnosti, vynútené resetujte cyklus filtra:

1. Podržte indikátor výmeny filtra (6) 5 sekundy.
2. Indikátor svieti. Podržaním tohto tlačidla na 5 sekundy sa vynuluje cyklus filtra.



### « TIPY NA VÝMENU FILTROV »

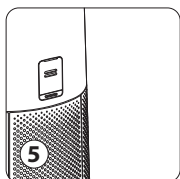
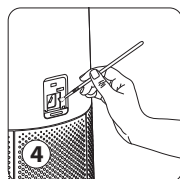
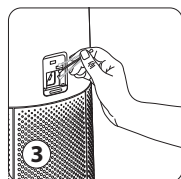
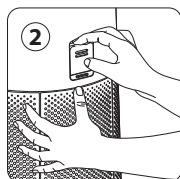
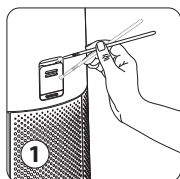
- Ak trpíte alergiami alebo astmou, vyhnite sa manipulácii s použitými filtermi.
- Pri výmene filtrov noste rukavice alebo si potom dobre umyte ruky.
- Použité filtre pred vyhodením vložte priamo do uzavretého vrecka, aby ste zabránili šíreniu znečisťujúcich látok.

## SNÍMAČ ZNEČISTENIA

Snímač častíc je potrebné pravidelne a primerane čistiť (každé 2 mesiace).

**Pred čistením snímačov znečistenia spotrebič vypnite, odpojte z elektrickej siete a postupujte podľa nasledujúcich odporúčaní:**

1. Vyčistíte prívod a vývod vzduchu pomocou mäkkej kefy alebo handričky.
2. Otvorte kryt snímača umiestnený na zadnej strane spotrebiča.
3. Zláhka navlhčíte vatový tampón a odstráňte všetok prach zo šošovky a vstupu/výstupu. Utrite pomocou suchej vatovej tyčinky.
4. Vyčistíte snímač pomocou mäkkej kefy alebo ysávača.
5. Znovu nasadíte kryt snímača



### DÔLEŽITÉ:

- Na čistenie snímačov nikdy nepoužívajte čistiaci prostriedok alebo kovový predmet.
- Účinnosť snímačov sa môže znížiť, ak sa nebudú pravidelne čistiť.
- Frekvencia čistenia sa líši v závislosti od prevádzkového prostredia spotrebiča. Ak sa používa v prašnom prostredí, čistite snímače častejšie.

## USKLADNENIE

Ak spotrebič nepoužívate, uskladnite ho na chladnom a suchom mieste pri teplote max. 35°C a 70% relatívnej vlhkosti.

## V PRÍPADE PROBLÉMU

- Spotrebič nerozoberajte svojpomocne. Zle opravený spotrebič môže byť pre používateľa nebezpečný.
- Pred kontaktovaním schváleného servisného strediska skontrolujte tabuľku riešenia problémov:

Problém	Skontrolujte	Riešenie
<b>Spotrebič sa nezapne.</b>	Je pripojený napájací kábel?	Pripojte napájací kábel do zásuvky so správnym napätím.
	Sú všetky zobrazovacie prvky vypnuté?	Stlačte hlavný vypínač a vyberte požadovanú funkciu.
	Došlo k výpadku elektrickej energie?	Po opätovnom zapnutí napájania môžete čističku vzduchu znovu používať. Skontrolujte, či váš spotrebič nie je v nočnom automatickom režime.
<b>Prúdenie vzduchu sa automaticky nemení.</b>	Je spotrebič v ručnom režime?	Vyberte správny režim prevádzky.
<b>Prietok je oveľa slabší ako predtým.</b>	Je potrebné filter vyčistiť alebo vymeniť?	Skontrolujte frekvenciu výmeny filtra a v prípade potreby filter vymeňte.
		Skontrolujte, či je predfilter bez prachu a v prípade potreby ho vyčistite.
<b>Z vývodu vzduchu vychádza nepríjemný zápach.</b>	Indikuje kontrolka stále zlú kvalitu vzduchu?	Skontrolujte frekvenciu výmeny filtra a v prípade potreby filter vymeňte.
<b>Indikátor kvality vzduchu nemení farbu.</b>	Je šošovka snímača pokrytá prachom?	Vyčistite šošovku snímača pomocou jemnej kefy/štetca.
<b>Čistička sa nedá pripojiť</b>	Je váš telefón na začiatku procesu pripojený k vašej osobnej sieti Wi-Fi?	Skontrolujte, či ste pripojení k svojej osobnej sieti Wi-Fi.
	Zdá sa, že sa čistička nedá pripojiť?	Skontrolujte, či je čistička zapojená a zapnutá.
	Kontrolka WI-FI vašej čističky neblíká?	Podržte tlačidlo Wi-Fi na 5 sekundy.
	Prvé párovanie sa nepodarilo?	Reštartujte zariadenie a skúste to znova.
	Môj telefón je pripojený k sieti Wi-Fi, ale nie k čističke?	Uistite sa, že obe zariadenia sú v dostatočnej blízkosti pri sebe a blízko k Wi-Fi routeru.
Môj telefón sa nepripája k sieti Wi-Fi?	<ul style="list-style-type: none"> <li>• Skontrolujte, či je váš smerovač Wi-Fi pripojený k internetu</li> <li>• Skontrolujte, či sa nezmenilo heslo siete Wi-Fi</li> </ul>	

SK

Problém	Skontrolujte	Riešenie
Prečo sa párovanie nepodarilo?	Overte si kompatibilitu: <a href="https://www.compatibility.groupeseb.com/CompatibilityList-Pureair-Rowenta.pdf">https://www.compatibility.groupeseb.com/CompatibilityList-Pureair-Rowenta.pdf</a>	Podporovaný typ šifrovania: WPA_1/WPA_2, TIPK; PSK, AES Podporované siete: 2,4 GHz

**DÔLEŽITÉ: V PRÍPADE NEZROVNALOSTI ALEBO STRATY SPOJENIA ODPOJTE ČISTIČKU NA NIEKOĽKO MINÚT A POTOM JU ZNOVU ZAPOJTE.**

## ZÁRUKA

Nepoužívajte spotrebič a kontaktujte schválené servisné stredisko, ak:

- Spotrebič spadol;
- Spotrebič alebo jeho napájací kábel sú poškodené;
- Spotrebič už nefunguje správne.
- Zoznam schválených servisných stredísk nájdete na medzinárodnom záručnom liste Rowenta.  
[www.rowenta.com](http://www.rowenta.com)

## RECYKLÁCIA

### PODIEĽAJME SA NA OCHRANE ŽIVOTNÉHO PROSTREDIA!



① Váš prístroj obsahuje čítné zhodnotiteľné alebo recyklovateľné materiály.

➡ Zverte ho sbernému miestu alebo, ak neexistuje, zmluvnému servisnému stredisku, kde s ním bude naložené zodpovedajúcim spôsobom.

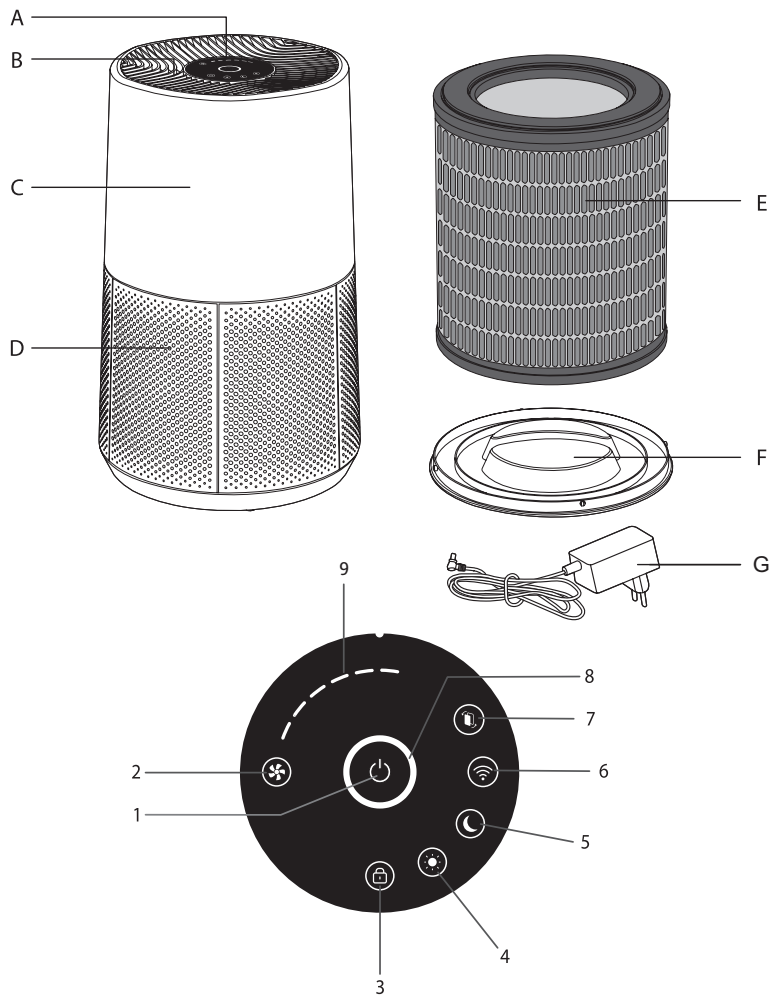
Tieto pokyny môžete nájsť aj na našej internetovej stránke [www.rowenta.com](http://www.rowenta.com)

ZJEDNODUŠENE EU VYHLASENIE O ZHODE		
Spoločnosť Le GROUPE SEB deklaruje radioprijímacie zariadenie Purifier PU2840F0 est v súlade so smernicou 2014/53/UE.		
Uplne znenie vyhlásenia o zhode EU je k dispozícii na tejto internetovej adrese: <a href="https://www.rowenta.sk/eu-declaration-of-conformity">https://www.rowenta.sk/eu-declaration-of-conformity</a>		
Používané frekvencie a pásmo: 2400-2483,50MHz (WiFi & Bluetooth)		
Maximálny vysokofrekvenčný výkon:	WiFi :	18 dBm
	Bluetooth :	8 dBm



## ВМІСТ

ОГЛЯД ВИРОБУ	114
ІНСТРУКЦІЇ З БЕЗПЕКИ	115
ДУЖЕ ВАЖЛИВА ІНФОРМАЦІЯ	115
ПРИНЦИП РОБОТИ	116
ДЕМОНТАЖ / УСТАНОВКА ФІЛЬТРІВ	117
У ЯКИХ МІСЦЯХ СЛІД УСТАНОВЛЮВАТИ ПРИЛАД	118
ПЕРЕД ПЕРШИМ ВИКОРИСТАННЯМ	118
ЯК ПІДКЛЮЧИТИ ОЧИЩУВАЧ ДО ІНТЕРНЕТУ	118
ЕКСПЛУАТАЦІЯ	119
ДОГЛЯД ТА ТЕХНІЧНЕ ОБСЛУГОВУВАННЯ	119
ЗБЕРІГАННЯ	121
У РАЗІ ВИНИКНЕННЯ ПРОБЛЕМ	121
ГАРАНТІЯ	122
ЗАХИЩАЙМО ДОВКІЛЛЯ РАЗОМ!	122



## ОГЛЯД ВИРОБУ

### Акcesуари корпусу приладу

- A. Панель керування
- B. Отвір подачі повітря
- C. Корпус приладу
- D. Вхідний отвір для повітря
- E. Фільтр
- F. Кришка фільтра
- G. Адаптер

### Кнопки керування

- 1. Запуск/зупинка
- 2. Вибір швидкості
- 3. Режим блокування доступу для дітей
- 4. Режим «Автодень»
- 5. Режим «Автоніч»
- 6. Кнопка підключення до Wi-Fi
- 7. Індикатор заміни фільтра

### Індикатори на панелі керування

- 8. Індикатор якості повітря
- 9. Вибраний індикатор швидкості

**Уважно прочитайте інструкції з експлуатації та безпеки перед використанням і збережіть їх для подальшого використання.**

## ПРАВИЛА БЕЗПЕКИ

### ПОПЕРЕДЖЕННЯ

**Важливо уважно прочитати ці інструкції та дотримуватися наведених рекомендацій:**

- Для вашої безпеки цей прилад відповідає затвердженим стандартам і правилам (директивам про низьковольтне обладнання, електромагнітну сумісність, навколишнє середовище тощо).
- Цей прилад не призначений для використання особами (у тому числі дітьми) з обмеженими фізичними, сенсорними чи розумовими можливостями або особами, що мають недостатньо досвіду та знань, окрім випадків, коли вони використовують прилад під наглядом або були проінструктовані стосовно його використання особою, відповідальною за їхню безпеку.
- Стежте, щоб діти не гралися з приладом.
- Діти віком від 8 років і особи з обмеженими фізичними, сенсорними чи розумовими можливостями та особи, що мають недостатньо досвіду або знань, можуть користуватися приладом під наглядом, або якщо вони були проінструктовані стосовно його безпечного використання та зрозуміли пов'язані ризики. Діти не повинні гратися з приладом.
- З метою уникнення небезпеки пошкоджений шнур живлення має замінюватися виробником, його службою післяпродажного обслуговування або особами з подібним рівнем кваліфікації.
- Не дозволяйте дітям чистити прилад або виконувати інші процедури з його обслуговування без нагляду.
- Докладніші відомості про обслуговування приладу див. У розділі «технічне обслуговування».
- Тримайте прилад і його шнур живлення в місці, недоступному для дітей молодше 8 років.
- Цей прилад призначений тільки для побутового використання. Його не можна використовувати для промислових потреб.
- Якщо прилад буде пошкоджений через його неправильне використання, гарантія буде недійсною.
- Не використовуйте цей прилад у дуже заплених і (або) вологих приміщеннях чи у місцях із високим ризиком виникнення пожежі.
- Перед використанням завжди перевіряйте прилад, вилку та шнур живлення на відсутність пошкоджень.
- Заборонено вставляти будь-які сторонні предмети (наприклад, голки) усередину приладу.
- Не тягніть шнур живлення або прилад, навіть якщо вам потрібно витягнути вилку з розетки.
- Перед використанням розмотайте шнур живлення на всю довжину.

Якщо контакти вилки пошкоджені, штепсельний блок живлення потрібно утилізувати.

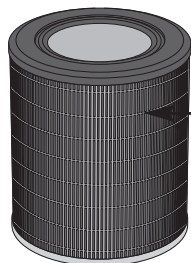
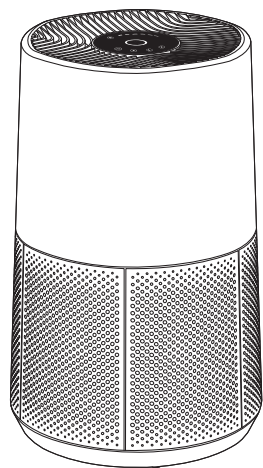
## ДУЖЕ ВАЖЛИВА ІНФОРМАЦІЯ

- **Не накривайте вхідні отвори для повітря та решітку на отворі подачі повітря.**
- **Не торкайтеся приладу мокрими руками.**
- **Уникайте потрапляння рідини всередину приладу.**
- **Ніколи не використовуйте прилад у вологих приміщеннях.**
- **Ніколи не використовуйте прилад поряд із джерелами тепла.**
- **Ніколи не кладіть нічого на прилад і нічого не вставляйте в нього.**
- **Не використовуйте прилад поряд із легкозаймистими предметами або речовинами (занавісками, аерозолями, розчинниками тощо).**
- **Ніколи не використовуйте прилад у нахиленому або горизонтальному положенні. • Поставте прилад на рівну стійку поверхню.**
- **Якщо ви будете відсутні протягом тривалого часу, вимкніть прилад і витягніть вилку з розетки.**
- **Перш ніж переносити прилад, вимкніть його та витягніть вилку з розетки.**
- **Під час складання та очищення очищувач повітря має бути відключений від мережі.**

UK

## ПРИНЦИП РОБОТИ

Завдяки описаним нижче 3 рівням фільтрації Pure Air City очищує повітря в оселі та захищає мешканців від впливу шкідливих речовин. Кожен рівень призначений для очищення повітря від певного виду забруднюючих речовин:



### Фільтр «3-в-1»

#### Рівень 1. Фільтр попереднього очищення

- Пил
- Волосся
- Шерсть
- Ворс

#### Рівень 2. Фільтр з активованим вугіллям

- Летючі органічні речовини (ЛОР)
- Запахи/гази

#### Рівень 3. Антиалергійний фільтр+

- Дрібні частинки (PM2.5)
- Пилок
- Пилові кліщі
- Алергени тварин
- Цвіль
- Бактерії/віруси

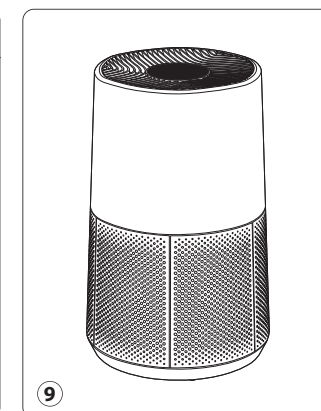
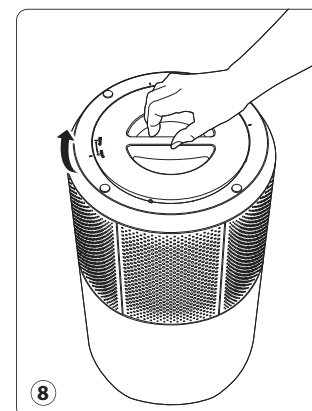
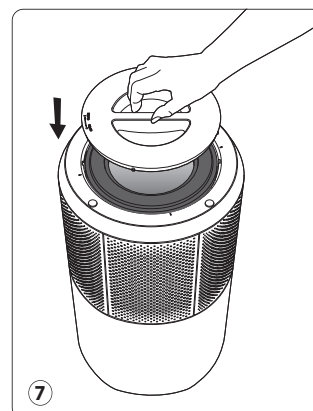
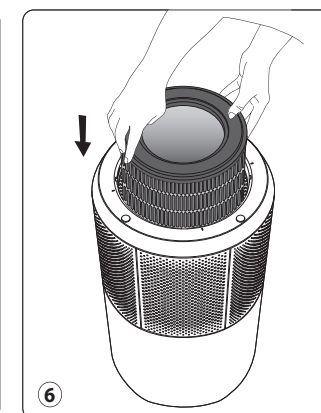
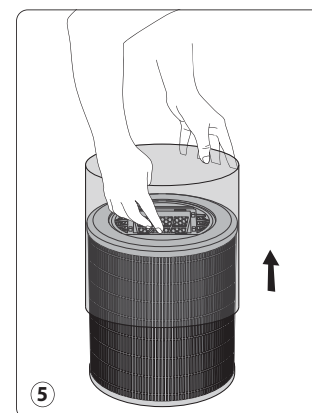
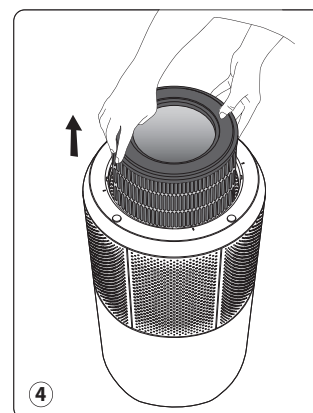
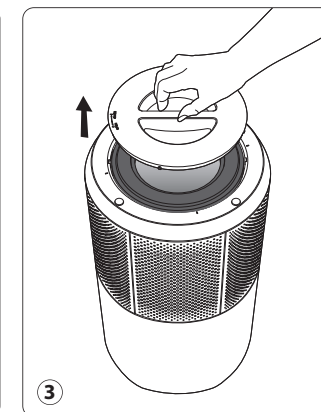
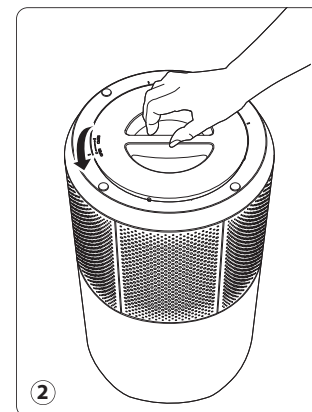
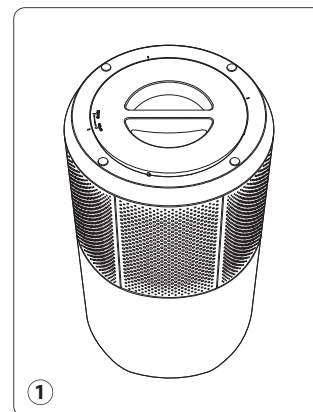


## ЯК ДОСЯГТИ ЧИСТІШОГО ПОВІТРЯ В ПРИМІЩЕННІ

Окрім використання очищувача Pure Air City, ось кілька порад, як поліпшити якість повітря в приміщенні:

- Щодня, улітку та взимку, провітрюйте приміщення протягом принаймні 10 хвилин
- Проводьте обслуговування системи вентиляції
- Обмежте використання побутових продуктів
- Не паліть у приміщенні
- Не використовуйте освіжувачі повітря, ароматичні палички та свічки тощо
- Після завершення будь-яких ремонтних робіт в оселі слід регулярно провітрювати приміщення протягом кількох наступних тижнів
- Не тримайте в приміщенні рослини, які потребують частого поливання або можуть спричинити алергічні реакції

## ДЕМОНТАЖ / УСТАНОВКА ФІЛЬТРІВ



UK

## У ЯКИХ МІСЦЯХ СЛІД УСТАНОВЛЮВАТИ ПРИЛАД

Помістіть очищувач на стійку пласку поверхню в приміщенні із забрудненим повітрям. Для безперешкодної циркуляції повітря з кожного боку приладу має бути не менше 60 см вільного простору. Не встановлюйте прилад за занавісками, під вікном, а також поряд з іншими предметами, які можуть перешкоджати руху повітря.

## ЩО ПОТРІБНО ЗРОБИТИ ПЕРЕД ПЕРШИМ ВИКОРИСТАННЯМ ПРИЛАДУ

### Перед використанням приладу зніміть захисну пластикову упаковку з фільтрів.

Перед використанням приладу зніміть захисну пластикову упаковку з фільтрів.

Перед першим використанням переконайтеся, що джерело електричного живлення відповідає напрузі, частоті й потужності приладу.

Прилад можна підключати до розетки без заземлення. EPS класу II (прилад із подвійною електричною ізоляцією).

Перед увімкненням переконайтеся, що:

- прилад повністю зібраний, як зазначено в інструкції з безпеки;
- прилад установлений на стійкій горизонтальній поверхні;
- прилад встановлено в правильному положенні, як зазначено в цьому посібнику;
- вхідний отвір для повітря та решітка на отворі подачі повітря не загороджені;
- фільтри та кришка встановлено правильно (див. розділ «Демонтаж / установка фільтрів»).

**ВАЖЛИВА ІНФОРМАЦІЯ.** Коли прилад не використовується, рекомендується вимкати його та виймати вилку з розетки.

## ЯК ПІДКЛЮЧИТИ ОЧИЩУВАЧ ДО ІНТЕРНЕТУ

Завантажте програму **Pure Air by Rowenta** та дотримуйтесь інструкцій на смартфоні.

1. Якщо у вас ще немає облікового запису Rowenta, зареєструйтеся в системі. Якщо у вас уже є обліковий запис, увійдіть у програму.
2. Під час підключення підійдіть ближче до очищувача (максимальна відстань — 2 метри), який повинен бути поряд із джерелом сигналу Wi-Fi.
3. Переконайтеся, що ваш телефон підключений до локальної мережі Wi-Fi.
4. Увімкніть очищувач, натисніть кнопку підключення до Wi-Fi та утримуйте її протягом 5 секунд (пролунає короткий сигнал, після чого почне світитись індикатор підключення до Wi-Fi, який сповіщатиме про успішне підключення).
5. Введіть пароль від локальної мережі Wi-Fi, щоб підключити очищувач.
6. Готово!

Засвітиться індикатор підключення до Wi-Fi, який сповіщатиме про успішне підключення очищувача до програми Pure air by Rowenta.

## Функція Wi-Fi

Для підключення натисніть кнопку Wi-Fi  і утримуйте її протягом 5 секунд.

- Якщо індикатор світиться, виріб підключено.
- Якщо індикатор блимає швидко, а потім повільно, виріб перебуває в процесі підключення до Wi-Fi/серверів.
- Якщо індикатор не світиться, виріб не підключено.

## Проблеми з підключенням

У разі виникнення проблем із підключенням приладу до домашньої мережі Wi-Fi див. інформацію, що наведена за цими посиланням:

<https://www.compatibility.groupeseb.com/CompatibilityList-Pureair-Rowenta.pdf>

<https://www.compatibility.groupeseb.com/CompatibilityList-Pureair-Tefal.pdf>

## ЕКСПЛУАТАЦІЯ

Щоб досягти найкращого ефекту очищення, очисник має бути на відстані більше 60 см від стіни.

«Запуск/зупинка (1)» 

- Натисніть цю кнопку, щоб увімкнути / вимкнути очищувач повітря

«Вибір швидкості (2)» 

- Ви можете вручну вибрати швидкість очищення від 1 до 6.

Кнопка режиму «Автодень» (4) 

- Установлюється швидкість очищення 2, 4 або 5 відповідно до рівня якості повітря.
- Якщо рівень якості повітря відмінний, пристрій не працює.

«Режим очікування (5)» 

- Установлюється швидкість очищення 1, 2 або 3 відповідно до рівня якості повітря.
- Якщо рівень якості повітря відмінний, пристрій не працює.»
- Індикатори на пристрої автоматично вимикаються через 5 секунд. Щоб повторно увімкнути панель керування, натисніть одну з кнопок.

«Режим блокування доступу для дітей (3)» 

- Система блокування захищає очищувач від випадкових налаштувань під час роботи.
- Щоб активувати її, натисніть і утримуйте кнопку (3) протягом 5 секунд, доки не загориться індикатор заблокованої панелі керування.  
Щоб вийти із цього режиму, ще раз натисніть кнопку (3) і утримуйте її протягом 5 секунд, доки індикатор не вимкнеться. Після вибору цього режиму інші кнопки буде заблоковано.

### Індикатор якості повітря

Індикатор якості повітря — це світлове коло навколо кнопки запуску/зупинки. Індикатор якості повітря (7) розташований на панелі керування (A) приладу. Світловий індикатор показує рівень якості повітря:

Якість повітря	Колір індикатора якості повітря
Ідеально чисте	Синій
Злегка забруднене	Зелений
Помірно забруднене	Жовтий
Дуже забруднене	Червоний

## ДОГЛЯД І ТЕХНІЧНЕ ОБСЛУГОВУВАННЯ

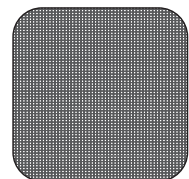
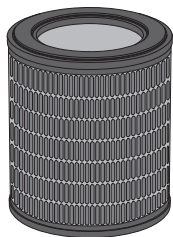
Перед виконанням будь-яких робіт із технічного обслуговування завжди вимикайте очищувач повітря за допомогою кнопки запуску/зупинки (1) і вийміть вилку з розетки. Для очищення поверхні виробу використовуйте вологу серветку.

**Важливо!** Заборонено застосовувати будь-які абразивні речовини, оскільки це може пошкодити поверхню виробу.

UK

## ФІЛЬТР

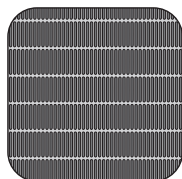
Даний прилад оснащений трьома типами фільтрів :



Фільтр попереднього очищення



Фільтр з активованим вугіллям



Пиловий фільтр

Частота чищення / заміни фільтра:

Фільтр	Застосування	Робочі цикли
Фільтр попереднього очищення	Чищення (видалення пилу)	Кожні 2–4 тижні
Фільтр попереднього очищення «3-в-1», антиалергійний фільтр+, фільтр з активованим вугіллям	Заміна	Кожні 12 місяців, коли світиться індикатор заміни фільтра

Рекомендована частота заміни фільтра може змінюватись залежно від тривалості використання і робочого середовища.

### ВАЖЛИВА ІНФОРМАЦІЯ.

Індикатор заміни фільтра (б) світиться, коли фільтр потрібно замінити. Після заміни фільтра натисніть і утримуйте кнопку протягом 5 секунд.

### Примусове скидання.

Якщо ви замінили фільтр до закінчення терміну його служби, примусово скиньте цикл заміни фільтра:

1. Утримуйте індикатор заміни фільтра (б) протягом 5 секунд.
2. Індикатор світиться. Утримуйте кнопку протягом 5 секунд, щоб скинути цикл заміни фільтра.



### ПОРАДИ ПО ЗАМІНІ ФІЛЬТРІВ

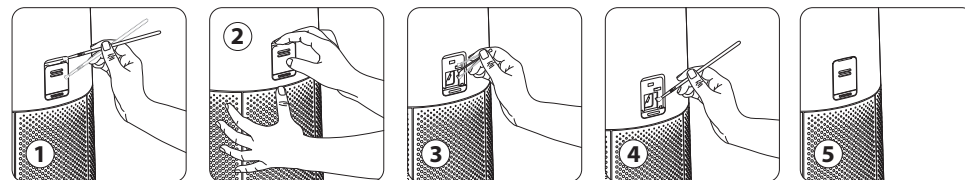
- Не виконуйте жодних дій із використаними фільтрами, якщо ви страждаєте на алергію чи астму.
- Перед заміною фільтрів надягайте рукавички або добре мийте руки після завершення цієї процедури.
- Перш ніж викидати використані фільтри, покладіть їх у закритий герметичний мішок, щоб уникнути поширення забруднюючих речовин.

## ДАТЧИК ЗАБРУДНЕННЯ

Датчик часток необхідно регулярно й належним чином чистити (кожні 2 місяці).

**Перед очищенням датчиків забруднення вимкніть прилад, витягніть вилку з розетки та дотримуйтеся наведених нижче рекомендацій.**

1. Очистіть отвори входу / подачі повітря за допомогою м'якої щітки або серветки.
2. Відкрийте кришку датчика, яка розташована із заднього боку приладу.
3. Злегка намочіть ватну паличку та видаліть весь пил зі скла та отворів входу / подачі повітря. Протріть сухою ватною паличкою.
4. Очистіть датчик за допомогою м'якої щітки або пилососа.
5. Замініть кришку датчика



### ВАЖЛИВА ІНФОРМАЦІЯ.

- Ніколи не використовуйте миючі речовини чи металеві предмети для очищення датчиків.
- Нерегулярне очищення датчиків може знизити ефективність роботи.
- Частота очищення залежить від зовнішніх умов, у яких використовується прилад. Якщо він використовується в запиленому середовищі, чистьте датчики частіше.

## ЗБЕРІГАННЯ

Якщо ви не користуєтесь приладом, зберігайте його в прохолодному сухому місці з температурою повітря не вище 35 °C та відносною вологістю не вище 70 %.

## У РАЗІ ВИНИКНЕННЯ ПРОБЛЕМ

- Не розбирайте прилад самостійно. Неправильно відремонтований прилад може бути небезпечним для користувача.
- Перш ніж звертатися до авторизованого сервісного центру, ознайомтеся з таблицею усунення несправностей нижче.

Проблема	Можлива причина проблеми	Рішення
Не вдається ввімкнути прилад.	Перевірте, чи вставлена вилка шнура живлення в розетку.	Вставте вилку шнура живлення в розетку з відповідною напругою.
	Перевірте, чи всі елементи панелі керування вимкнено.	Натисніть кнопку ввімкнення / вимкнення та виберіть потрібну функцію.
	Можливо, відключено електроенергію?	Ви зможете використовувати очищувач, щойно буде відновлено подачу електроенергії. Упевніться, що прилад не перебуває в нічному автоматичному режимі.
Потік повітря не змінюється автоматично.	Перевірте, чи не працює прилад у ручному режимі.	Виберіть правильний режим роботи.
Потік набагато слабший, ніж раніше.	Можливо, потрібно почистити або замінити фільтр?	Дізнайтеся, як часто потрібно міняти фільтри, і за потреби виконайте відповідну процедуру.
		Упевніться, що у фільтри попереднього очищення відсутній пил, і почистьте його, якщо потрібно.
З отвору подачі повітря виходить неприємний запах.	Перевірте, чи не показує індикатор, що повітря досі забруднене.	Дізнайтеся, як часто потрібно міняти фільтри, і за потреби виконайте відповідну процедуру.

UK



Проблема	Можлива причина проблеми	Рішення
<b>Індикатор якості повітря не змінює свій колір.</b>	Можливо, скло датчика забруднене?	Очистіть лінзу датчика м'якою щіткою
<b>Не вдається підключити очищувач до Інтернету</b>	Чи був підключений ваш телефон до вашої особистої мережі Wi-Fi на початку процесу?	Переконайтеся, що ви підключені до особистої мережі Wi-Fi.
	Здається, що очищувач не підключається?	Перевірте, чи вставлена вилка до розетки, а також чи ввімкнений очищувач.
	Перевірте, чи не блимає світлодіодний індикатор Wi-Fi вашого очищувача.	Натисніть кнопку підключення до Wi-Fi та утримуйте її протягом 5 секунд.
	Перше підключення не працює?	Перезавантажте продукт і повторіть спробу.
	Ваш телефон підключений до Wi-Fi, проте вам не вдається підключити його до очищувача?	Переконайтеся, що обидва пристрої перебувають у достатній близькості один до одного та до маршрутизатора Wi-Fi.
	Не вдається підключити телефон до Wi-Fi?	<ul style="list-style-type: none"> <li>• Перевірте, чи підключений ваш маршрутизатор Wi-Fi до Інтернету.</li> <li>• Перевірте, чи не змінився пароль від мережі Wi-Fi.</li> </ul>
<b>Чому підключення не працює?</b>	Перевірте сумісність пристроїв: <a href="https://www.compatibility.groupeseb.com/CompatibilityList-Pureair-Rowenta.pdf">https://www.compatibility.groupeseb.com/CompatibilityList-Pureair-Rowenta.pdf</a>	Підтримувані типи шифрування: WPA_1/WPA_2, TTKP, PSK, AES Підтримувана частота мережі: 2,4 GHz

**ВАЖЛИВА ІНФОРМАЦІЯ. У РАЗІ НЕСПРАВНОСТІ АБО ВТРАТИ З'ЄДНАННЯ ВИМКНІТЬ ПРИЛАД, ВИТЯГНІТЬ ВИЛКУ З РОЗЕТКИ НА КІЛЬКА ХВИЛИН, А ПОТІМ ПІДКЛЮЧІТЬ ЙОГО ЗНОВУ.**

## ГАРАНТІЯ

Припиніть використання приладу та зверніться до авторизованого сервісного центру в разі:

- падіння приладу;
- пошкодження приладу чи шнура живлення;
- некоректної роботи приладу.

Список із контактними даними авторизованих сервісних центрів можна знайти в міжнародному гарантійному талоні Rowenta.

[www.rowenta.com](http://www.rowenta.com)

## ВТОРИННА ПЕРЕРОБКА

### ЗАХИЩАЙМО ДОВКІЛЛЯ РАЗОМ!

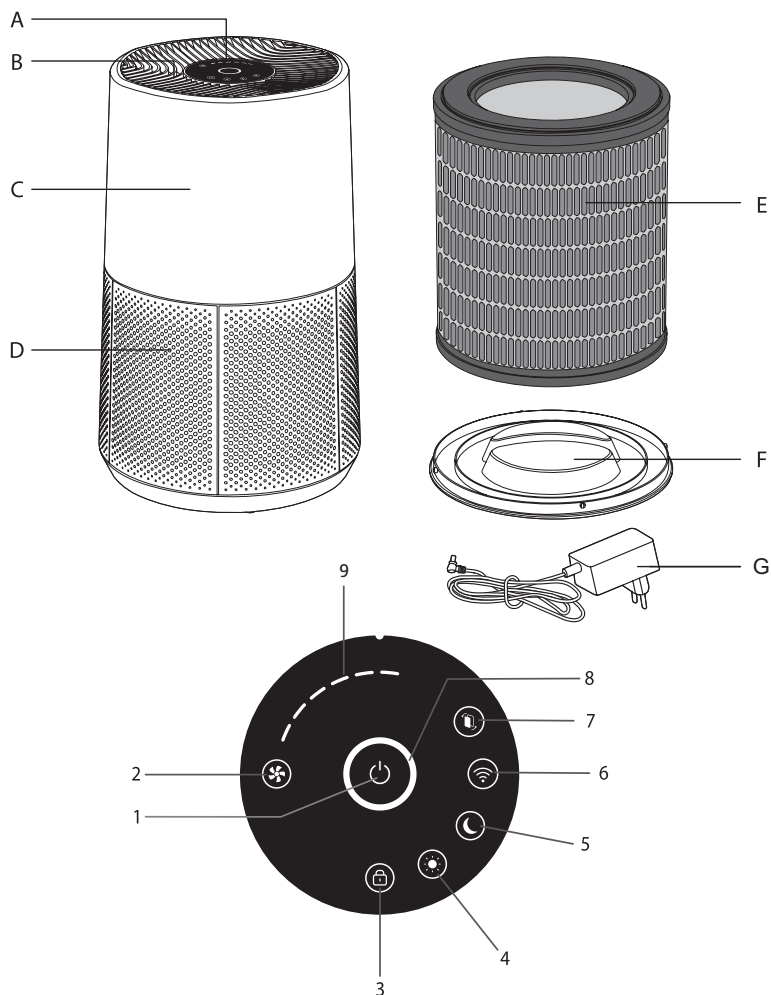


- ① Прилад містить багато матеріалів, які можуть бути перероблені або повторно використані.
- ➡ Віднесіть прилад до місцевого пункту збору відходів або авторизованого сервісного центру, де його буде утилізовано належним чином.

Цю інструкцію також можна знайти на нашому сайті [www.rowenta.com](http://www.rowenta.com).

## СОДЕРЖАНИЕ

ОБЩИЕ СВЕДЕНИЯ О ПРОДУКТЕ	124
ИНСТРУКЦИИ ПО ТЕХНИКЕ БЕЗОПАСНОСТИ	125
ОЧЕНЬ ВАЖНО	125
ПРИНЦИП РАБОТЫ	126
РАЗБОРКА И СБОРКА ФИЛЬТРОВ	127
МЕСТО УСТАНОВКИ ПРИБОРА	128
ПЕРЕД ПЕРВЫМ ИСПОЛЬЗОВАНИЕМ	128
КАК ПОДКЛЮЧИТЬ ОЧИСТИТЕЛЬ К ИНТЕРНЕТУ	128
ЭКСПЛУАТАЦИЯ	129
УХОД И ОБСЛУЖИВАНИЕ	129
ХРАНЕНИЕ	131
В СЛУЧАЕ НЕИСПРАВНОСТИ	131
ГАРАНТИЯ	132
ПОМОГИТЕ ЗАЩИТИТЬ ОКРУЖАЮЩУЮ СРЕДУ	132



## ОБЩИЕ СВЕДЕНИЯ ОБ ИЗДЕЛИИ

### Аксессуары основного корпуса

- A. Панель управления
- B. Выпускная решетка
- C. Основной корпус
- D. Воздухозаборное отверстие
- E. Фильтр
- F. Крышка фильтра
- G. Адаптер

### Кнопки управления

- 1. Старт/стоп
- 2. Выбор скорости
- 3. Защита от детей
- 4. Автоматический дневной режим
- 5. Автоматический ночной режим
- 6. Кнопка Wi-Fi
- 7. Индикатор замены фильтра

### Индикаторы на панели управления

- 8. Индикатор качества воздуха
- 9. Индикатор выбранной скорости

**Перед использованием внимательно ознакомьтесь с инструкциями по эксплуатации и технике безопасности и сохраните их для дальнейшего использования в качестве справочного материала.**

## ИНСТРУКЦИИ ПО ТЕХНИКЕ БЕЗОПАСНОСТИ

### ВНИМАНИЕ!

Необходимо внимательно ознакомиться с данными инструкциями и соблюдать следующие рекомендации:

- В целях безопасности данный прибор соответствует применимым стандартам и нормам (директиве по низковольтному оборудованию, директиве об охране окружающей среды и т. Д.).
- Прибор не предназначен для использования лицами (в том числе детьми) с ограниченными физическими, сенсорными или умственными способностями, а также лицами, не имеющими достаточного опыта или знаний, кроме случаев, когда они находятся под присмотром либо были проинструктированы относительно использования прибора лицом, ответственным за их безопасность.
- Не разрешайте детям играть с прибором.
- Прибор может использоваться детьми старше 8 лет и лицами, не имеющими достаточного опыта или знаний, а также лицами с ограниченными физическими, сенсорными или умственными способностями при условии, что они находятся под присмотром, прошли обучение безопасному использованию прибора и осведомлены о рисках, связанных с этим. Дети не должны играть с прибором.
- Если кабель питания поврежден, во избежание несчастных случаев он должен быть заменен производителем, его гарантийной службой или специалистом аналогичной квалификации.
- Не разрешайте детям выполнять очистку или обслуживание прибора без присмотра.
- Для получения информации об обслуживании обратитесь к разделу «обслуживание».
- Храните прибор и кабель питания в недоступном для детей младше 8 лет месте.
- Прибор предназначен только для домашнего использования. Его нельзя использовать в профессиональных целях.
- При повреждении прибора в результате неправильного использования гарантия аннулируется.
- Не используйте прибор в слишком пыльных и/или влажных местах, а также в местах с опасностью возгорания.
- Перед использованием прибора убедитесь, что он сам, вилка и кабель питания находятся в хорошем состоянии.
- Запрещается вставлять в прибор предметы (например, иглы и т. д.).
- Не тяните за кабель питания или за прибор, даже чтобы отключить прибор от розетки электросети.
- Перед использованием размотайте кабель по всей длине.



Если контакты вилки повреждены, источник питания со штепсельным разъемом следует утилизировать.

## ОЧЕНЬ ВАЖНО

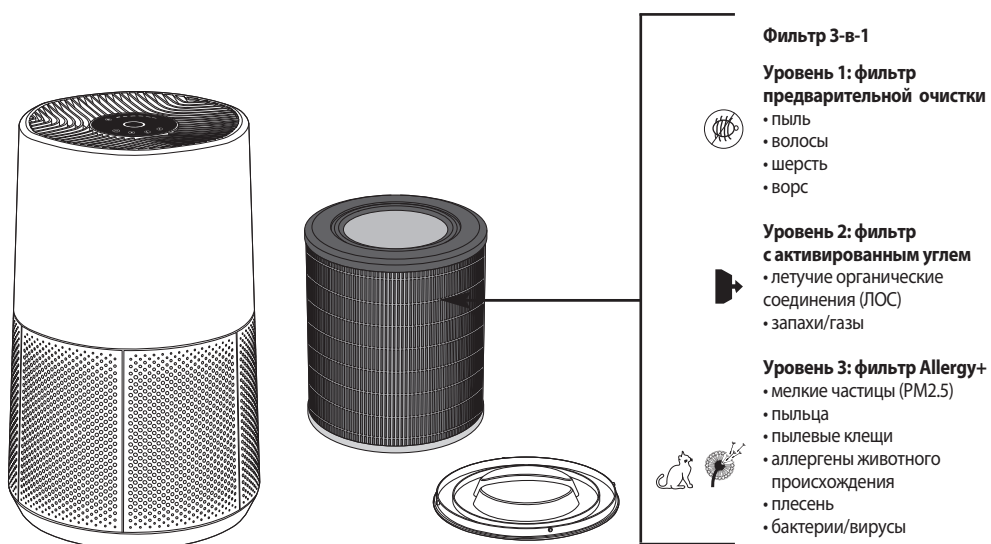
- **Не закрывайте воздухозаборные отверстия и выпускную решетку.**
- **Не прикасайтесь к прибору мокрыми руками.**
- **Не допускайте попадания жидкости внутрь прибора.**
- **Запрещается использовать прибор в местах с повышенной влажностью.**
- **Запрещается использовать прибор вблизи источников тепла.**
- **Запрещается помещать на прибор или вставлять в него какие-либо посторонние предметы.**

RU

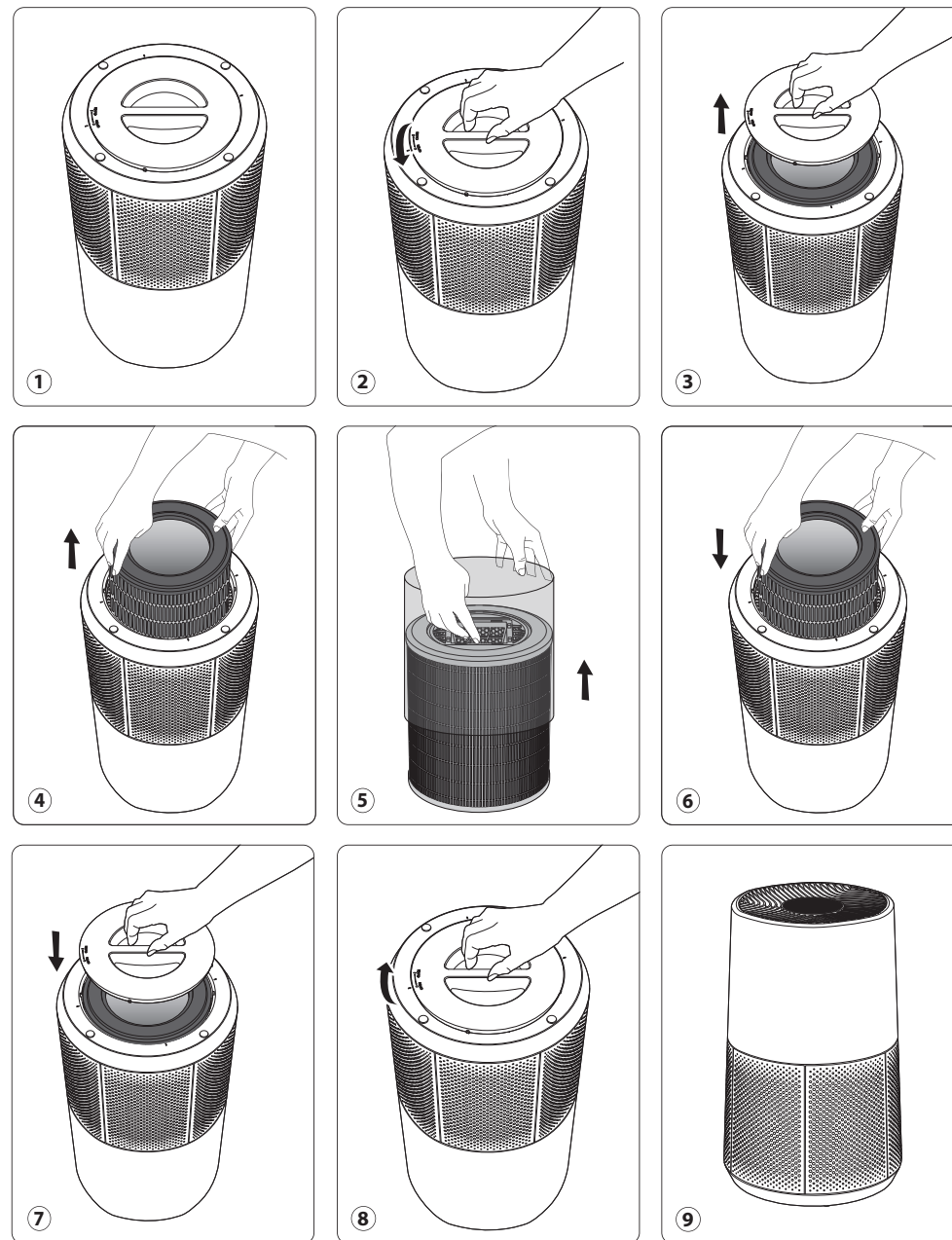
- Не используйте прибор рядом с воспламеняющимися предметами или продуктами (занавесками, аэрозолями, растворителями и т. д.).
- Запрещается использовать прибор в наклонном или горизонтальном положении. Прибор необходимо устанавливать на ровную, устойчивую поверхность.
- В случае длительного отсутствия: выключите прибор и отключите его от электросети.
- Перед перемещением прибора выключите его и отключите от электросети.
- Во время сборки и очистки необходимо отключать очиститель воздуха.

## ПРИНЦИП РАБОТЫ

Очиститель воздуха Pure Air City очищает воздух в вашем доме и бережет ваше здоровье благодаря 3-уровневой фильтрации, как показано ниже. Каждый уровень фильтрации играет собственную важную роль и отвечает за улавливание конкретных загрязняющих веществ:



## РАЗБОРКА И СБОРКА ФИЛЬТРОВ



### «КАК СДЕЛАТЬ ВОЗДУХ В ПОМЕЩЕНИИ ЧИЩЕ»

Помимо использования очистителя воздуха Pure Air City, предлагаем ознакомиться с рекомендациями по улучшению качества воздуха в помещении:

- Проветривайте помещение не менее 10 минут каждый день, летом и зимой.
- Поддерживайте вентиляционную систему в надлежащем состоянии.
- Ограничьте использование бытовой химии.
- Не курите в помещении.
- Не используйте освежители воздуха, ароматические палочки, свечи и т. д.
- Проветривайте помещение, когда в нем проводятся какие-либо работы и в течение нескольких недель после этого.
- Избегайте зеленых растений, которые вызывают аллергию или требуют частого полива.

RU

## МЕСТО УСТАНОВКИ ПРИБОРА

Поместите очиститель воздуха на ровную устойчивую поверхность в помещении, где требуется обработка воздуха.

Чтобы обеспечить свободную циркуляцию воздуха, не размещайте прибор за занавесками, под окном, а также рядом с другими препятствиями и оставляйте не менее 60 см свободного пространства с каждой стороны прибора.

## ПЕРЕД ПЕРВЫМ ИСПОЛЬЗОВАНИЕМ ПРИБОРА

**Перед использованием прибора удалите защитную пластмассовую упаковку с фильтров.**

Перед первым использованием убедитесь, что напряжение, частота и мощность устройства соответствуют параметрам электросети.

Данное устройство может работать от незаземленной вилки. Комплектный адаптер относится к классу II (двойная электрическая изоляция).

Перед включением прибора убедитесь, что:

- прибор полностью собран в соответствии с инструкциями по технике безопасности;
- прибор установлен на устойчивой горизонтальной поверхности;
- прибор размещен в соответствии с инструкциями, приведенными в данном руководстве;
- воздухозаборные отверстия и выпускная решетка ничем не заблокированы;
- фильтры и крышка установлены правильно (см. раздел «Разборка и сборка фильтров»).


**ВАЖНО! Рекомендуется выключать прибор и отключать его от сети, когда оно не используется.**

## КАК ПОДКЛЮЧИТЬ ОЧИСТИТЕЛЬ К ИНТЕРНЕТУ

Загрузите приложение «Pure Air by Rowenta» и следуйте инструкциям на смартфоне.

1. Войдите в систему, чтобы создать новую учетную запись Rowenta. Или войдите в приложение, если у вас уже есть учетная запись.
2. Во время сопряжения находитесь рядом с очистителем (на расстоянии не более 2 метров), убедитесь, что очиститель воздуха расположен рядом с сильным сигналом Wi-Fi.
3. Убедитесь, что телефон подключен к локальной сети Wi-Fi.
4. Включите очиститель воздуха и удерживайте кнопку Wi-Fi в течение 5 секунд (раздастся звуковой сигнал и индикатор Wi-Fi начнет мигать, указывая на успешное подключение очистителя к сети Wi-Fi).
5. Выберите сеть Wi-Fi и введите пароль сети для подключения к локальной сети Wi-Fi.
6. Готово!  
Индикатор Wi-Fi показывает, что очиститель воздуха успешно подключен к приложению «Pure Air by Rowenta».

## Функция Wi-Fi

Чтобы запустить новое сопряжение нажмите и удерживайте кнопку Wi-Fi  в течение 5 секунд.

- Если горит индикатор, то это указывает на то, что прибор сопряжен/подключен.
- Если индикатор сначала мигает быстро, а затем медленно, то это указывает на то, что прибор находится в процессе сопряжения/подключения к Wi-Fi/серверам.
- Если индикатор не горит, то это указывает на то, что прибор не подключен.

## Проблемы с соединением

В случае проблем с сопряжением прибора и внутренней сети Wi-Fi, получите дополнительную информацию указанную по следующей ссылке:

<https://www.compatibility.groupeseb.com/CompatibilityList-Pureair-Rowenta.pdf>

<https://www.compatibility.groupeseb.com/CompatibilityList-Pureair-Tefal.pdf>

## ЭКСПЛУАТАЦИЯ

Для достижения наилучшего эффекта очистки ваш очиститель должен находиться на расстоянии более 60 см от стены.

Кнопка питания «Старт/стоп (1)» 

- Нажмите эту кнопку, чтобы включить/выключить очиститель воздуха

«Выбор скорости (2)» 


- Можно вручную установить скорость очищения воздуха в диапазоне от 1 до 6.

«Кнопка автоматического дневного режима (4)» 

- Скорость очистки воздуха установлена на значение 2, 4 или 5 в соответствии с уровнем качества воздуха.
- Если качество воздуха превосходное, прибор не будет работать.

«Спящий режим (5)» 

- Скорость очистки воздуха установлена на значение 1, 2 или 3 в соответствии с уровнем качества воздуха.
- Если качество воздуха превосходное, прибор не будет работать.
- Индикаторы на устройстве выключаются автоматически через 5 секунд. Нажмите одну из кнопок, чтобы снова включить панель управления.

«Защита от детей (3)» 

- Блокировка предотвращает случайное изменение настроек очистителя воздуха во время его работы.
- Для включения функции нажмите и удерживайте кнопку (3) в течение 5 секунд, пока не загорится индикатор блокировки панели управления.  
Для выхода из этого режима снова нажмите кнопку (3) и удерживайте ее в течение 5 секунд, пока индикатор не погаснет. При выборе данной функции другие кнопки блокируются.

### Индикация качества воздуха

Индикатор качества воздуха — светящийся круг вокруг кнопки «Старт/Стоп». Индикатор качества воздуха (7) расположен на панели управления (A) прибора. Светодиод указывает на уровень качества воздуха:

Качество воздуха	Цвет уровня качества воздуха
Отлично	Синий
Небольшое загрязнение	Зеленый
Умеренное загрязнение	Желтый
Сильное загрязнение	Красный

## УХОД И ОБСЛУЖИВАНИЕ

**Перед проведением обслуживания всегда выключайте очиститель воздуха с помощью кнопки «Старт/стоп (1)» и отключайте его от электросети. Для очистки поверхности устройства используйте влажную ткань.**

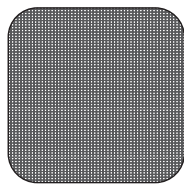
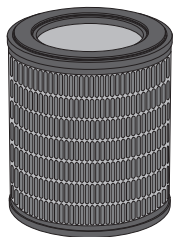
**Важно! Не используйте абразивные материалы, так как они могут повредить поверхность устройства.**

RU



## ФИЛЬТР

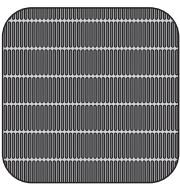
Данный прибор оснащен 3 типами фильтров:



Фильтр предварительной очистки



Фильтр с активированным углем



Фильтр тонкой очистки

Частота очистки/замены фильтра:

Фильтр	Действие	Циклы
Фильтр предварительной очистки	Очистка (удаление пыли)	Каждые 2–4 недели
Фильтр предварительной очистки 3-в-1, фильтр Allergu+, фильтр с активированным углем	Замена	Каждые 12 месяцев или когда загорается индикатор замены фильтра

Рекомендуемая частота замены фильтра зависит от продолжительности использования и условий эксплуатации.

### ВАЖНО!

Индикатор замены фильтра (6) загорается при необходимости замены фильтра. После замены фильтра удерживайте кнопку в течение 5 секунд.

### Принудительный сброс:

Если фильтр был заменен до истечения срока его службы, выполните принудительный сброс срока службы фильтра:

1. Удерживайте нажатым индикатор замены фильтра (6) в течение 5 секунд.
2. Индикатор загорится. Удерживайте кнопку в течение 5 секунд для сброса срока службы фильтра.



### «РЕКОМЕНДАЦИИ ПО ЗАМЕНЕ ФИЛЬТРОВ»

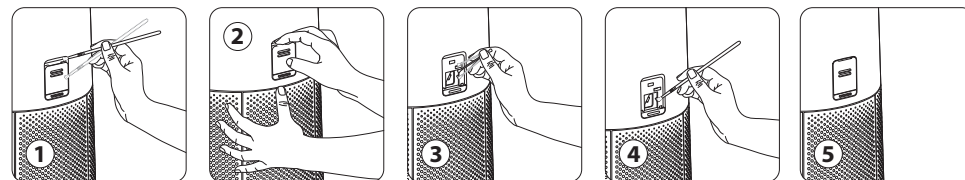
- Старайтесь избегать манипуляций с использованными фильтрами, если вы страдаете аллергией или астмой.
- При замене фильтров надевайте перчатки или тщательно мойте руки после замены.
- Использованные фильтры сразу же помещайте в герметичный пакет и только затем выбрасывайте, чтобы избежать распространения загрязняющих веществ.

## ДАТЧИК ЗАГРЯЗНЕНИЙ

Датчик частиц необходимо регулярно (каждые 2 месяца) и надлежащим образом очищать.

Перед очисткой датчиков загрязнения убедитесь, что прибор выключен и отключен от электросети, и следуйте приведенным ниже рекомендациям.

1. Очистите решетки для входа и выхода воздуха с помощью мягкой щетки или ткани.
2. Откройте крышку датчика, расположенную на задней панели прибора.
3. Слегка смочите ватную палочку и удалите пыль с линзы и решеток входа/выхода. Протрите сухой ватной палочкой.
4. Очистите датчик с помощью мягкой щетки или пылесоса.
5. Прикрутите крышку на место



### ВАЖНО!

- Запрещается использовать для очистки датчиков моющие средства или металлические предметы.
- При нерегулярной очистке датчиков эффективность их работы может снижаться.
- Частота очистки зависит от условий эксплуатации прибора. При использовании в условиях повышенной запыленности выполняйте очистку датчиков чаще.

## ХРАНЕНИЕ

Если прибор не используется, храните его в прохладном сухом месте при температуре окружающей среды не выше 35°C и относительной влажности не более 70%.

## В СЛУЧАЕ НЕИСПРАВНОСТИ

- Не пытайтесь разобрать прибор самостоятельно. Неправильно отремонтированный прибор может представлять опасность для пользователя.
- Перед обращением в авторизованный сервисный центр ознакомьтесь с приведенной ниже таблицей устранения неполадок:

Проблема	Проверьте	Решение
Прибор не включается.	Подключен ли кабель питания?	Подключите кабель питания к розетке с соответствующим инструкции прибору напряжением.
	Все ли элементы дисплея выключены?	Нажмите кнопку включения/выключения и выберите нужную функцию.
	Не отключено ли электричество?	Очиститель воздуха можно использовать после восстановления подачи электричества. Убедитесь, что прибор не находится в автоматическом ночном режиме.
Поток воздуха не изменяется автоматически.	Не находится ли прибор в ручном режиме работы?	Выберите правильный режим работы.
Поток воздуха гораздо слабее, чем раньше.	Фильтр нуждается в очистке или замене?	Проверьте, как часто выполняется замена фильтра. При необходимости замените фильтр.
		Убедитесь в отсутствии пыли в фильтре предварительной очистки и при необходимости очистите его.
От выпускной решетки исходит неприятный запах.	Индикатор по-прежнему показывает низкое качество воздуха?	Проверьте, как часто выполняется замена фильтра. При необходимости замените фильтр.

RU

Проблема	Проверьте	Решение
<b>Индикатор качества воздуха не меняет цвет.</b>	Нет ли пыли на стекле датчика?	Очистите линзу датчика с помощью мягкой щетки.
<b>Очиститель воздуха не подключается</b>	Подключен ли телефон к личной сети Wi-Fi в начале процесса?	Убедитесь, что подключены к личной сети Wi-Fi.
	Очиститель воздуха не подключается?	Проверьте, вставлена ли вилка очистителя воздуха, и включите его.
	Индикатор Wi-Fi на очистителе воздуха не мигает?	Удерживайте кнопку Wi-Fi в течение 5 секунд.
	Почему не удалось выполнить первое сопряжение?	Перезапустите прибор, чтобы повторить попытку.
	Телефон подключен к Wi-Fi, но не подключен к очистителю воздуха?	Убедитесь, что два прибора находятся достаточно близко друг к другу и к маршрутизатору Wi-Fi.
	Телефон не подключается к Wi-Fi?	<ul style="list-style-type: none"> <li>• Убедитесь, что ваш маршрутизатор Wi-Fi подключен к Интернету</li> <li>• Убедитесь, что пароль Wi-Fi не менялся</li> </ul>
<b>Почему не удалось сопряжение устройств?</b>	Проверьте совместимость: <a href="https://www.compatibility.groupeseb.com/CompatibilityList-Pureair-Rowenta.pdf">https://www.compatibility.groupeseb.com/CompatibilityList-Pureair-Rowenta.pdf</a>	Поддерживаемый тип шифрования: WPA_1/WPA_2, TPK; PSK, AES Поддерживаемые сети: 2,4 GHz

**ВАЖНО! В СЛУЧАЕ НЕИСПРАВНОСТИ ИЛИ ОТСУТСТВИЯ СОЕДИНЕНИЯ, ПОЖАЛУЙСТА, ОТКЛЮЧИТЕ ОЧИСТИТЕЛЬ ВОЗДУХА НА НЕСКОЛЬКО МИНУТ, А ЗАТЕМ ПОДКЛЮЧИТЕ ЕГО ОБРАТНО.**

## ГАРАНТИЯ

Не используйте прибор и обратитесь в авторизованный сервисный центр, если:

- прибор падал;
- прибор или кабель питания повреждены;
- прибор перестал работать должным образом.
- Список авторизованных сервисных центров можно найти в международной гарантийной карте Rowenta.

[www.rowenta.com](http://www.rowenta.com)

## УТИЛИЗАЦИЯ

### ДАВАЙТЕ ПОЗАБОТИМСЯ ОБ ОКРУЖАЮЩЕЙ СРЕДЕ!

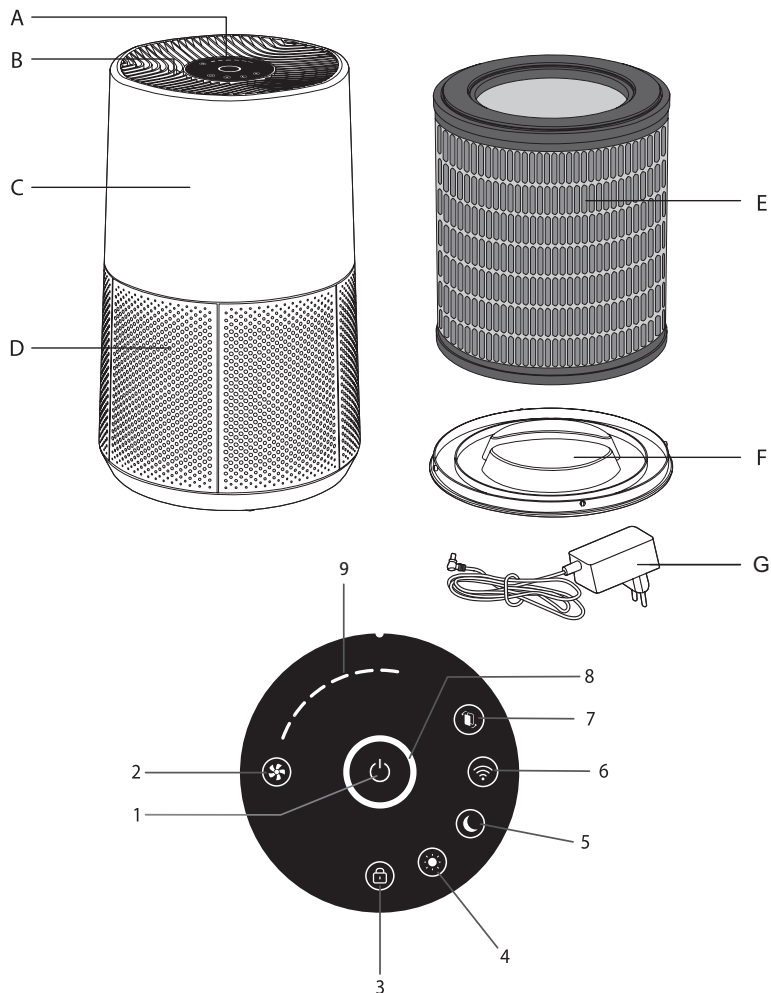


- ① Данный прибор содержит ценные материалы, которые можно переработать и использовать повторно.
- ➡ Оставьте его в месте сбора отходов или в авторизованном сервисном центре для дальнейшей переработки.

Эти инструкции также приведены на нашем веб-сайте по адресу [www.tefal.com](http://www.tefal.com)

## SAŽETAK

PREGLED PROIZVODA	134
SIGURNOSNA UPUTSTVA	135
VEOMA VAŽNO	135
PRINCIP RADA	136
RASTAVLJANJE / PONOVRNO SASTAVLJANJE FILTERA	137
GDJE POSTAVITI APARAT	138
PRIJE PRVE UPOTREBE	138
KAKO POVEZATI PROČISTAČ NA INTERNET	138
RAD	139
ČUVANJE I ODRŽAVANJE	139
SKLADIŠTENJE	141
U SLUČAJU PROBLEMA	141
GARANCIJA	142
POMOZIMO U ZAŠTITI ŽIVOTNE SREDINE!	142



## PREGLED PROIZVODA

### Dodaci za glavno kućište

- A. Kontrolna ploča
- B. Izlaz zraka
- C. Glavno kućište
- D. Ulaz zraka
- E. Filter
- F. Poklopac filtera
- G. Adapter

### Kontrolne tipke

- 1. Start / Stop
- 2. Izbor brzine
- 3. Onemogućavanje pristupa za djecu
- 4. Automatski dnevni način rada
- 5. Automatski noćni način rada
- 6. Wifi tipka
- 7. Indikator za zamjenu filtera

### Indikatori na kontrolnoj ploči

- 8. Indikator kvaliteta zraka
- 9. Indikator izabrane brzine

**Prije upotrebe pažljivo pročitajte upute za korištenje i sačuvajte ih ako bi vam zatrebale u budućnosti.**

## SIGURNOSNA UPUTSTVA

### UPOZORENJA

**Od ključnog je značaja da pažljivo pročitate ove upute i poštujete sljedeće preporuke:**

- Zbog vaše sigurnosti, aparat je usklađen s važećim standardima i propisima (direktive o niskonaponskoj opremi, elektromagnetskoj kompatibilnosti, zaštiti okoliša itd.).
- Ovaj aparat ne smiju koristiti osobe (uključujući djecu) ograničenih fizičkih, čulnih ili mentalnih sposobnosti ili nedovoljnog iskustva i znanja, izuzev ako ih nadzire osoba odgovorna za njihovu sigurnost ili ako im je prethodno dala upute o načinu korištenja aparata.
- Djecu je potrebno nadzirati kako biste bili sigurni da se ne igraju aparatom.
- Aparat smiju upotrebljavati djeca uzrasta 8 godina i više te osobe s manjkom iskustva ili znanja ili sa smanjenim tjelesnim, čulnim ili mentalnim sposobnostima pod uslovom da to čine pod nadzorom, da su prošle obuku o sigurnom načinu korištenja aparata i da su svjesne prisutnih rizika. Djeca se ne smiju igrati sa aparatom.
- Ako je kabal za napajanje oštećen, mora ga zamijeniti proizvođač, njegov ovlašteni postprodajni servis ili osoba sličnih kvalifikacija kako bi se izbjegla opasnost.
- Djeca ne smiju čistiti aparat niti obavljati postupke održavanja aparata ako nisu pod nadzorom.
- Informacije o održavanju potražite u odjeljku „Održavanje“.
- Aparat i pripadajući kabal za napajanje držite van domašaja djece mlađe od 8 godina.
- Aparat je predviđen samo za upotrebu u domaćinstvu. Ne smije se koristiti u industrijske svrhe.
- Garancija će biti poništena ako dođe do oštećenja zbog nepravilne upotrebe.
- Nemojte rukovati ovim aparatom na jako prašnjavom i/ili vlažnom mjestu ili na mjestu na kojem postoji opasnost od izbijanja požara.
- Prije upotrebe provjerite jesu li aparat, priključak i kabal za napajanje u dobrom stanju.
- Ne gurajte predmete u aparat (npr. igle itd.).
- Ne povlačite za kabal za napajanje aparata čak i kad ga iskopčavate iz zidne utičnice.
- Potpuno odmotajte kabal prije upotrebe.

Ako su pinovi utikača oštećeni, jedinica za napajanje se mora baciti.

## VEOMA VAŽNO

- **Nemojte prekrivati ulazne otvore za zrak ili rešetku za izlaz zraka.**
- **Ne dirajte uređaj mokrim rukama.**
- **Nemojte dopustiti da bilo kakva tekućina dospije u aparat.**
- **Nemojte koristiti aparat u vlažnom okruženju.**
- **Nemojte koristiti aparat u blizini izvora toplote.**
- **Nemojte ništa stavljati na aparat ili umetati u njega.**
- **Nemojte koristiti aparat u blizini zapaljivih predmeta ili proizvoda (zavjese, aerosoli, otapala, itd.).**
- **Nemojte koristiti aparat u nagnutom ili horizontalnom položaju. Postavite aparat na ravnu i stabilnu površinu.**
- **U slučaju duže odsutnosti: isključite aparat i iskopčajte ga iz utičnice.**
- **Isključite aparat i iskopčajte ga iz utičnice prije premještanja.**
- **Tokom sastavljanja i čišćenja pročistača zraka mora se iskopčati iz utičnice.**

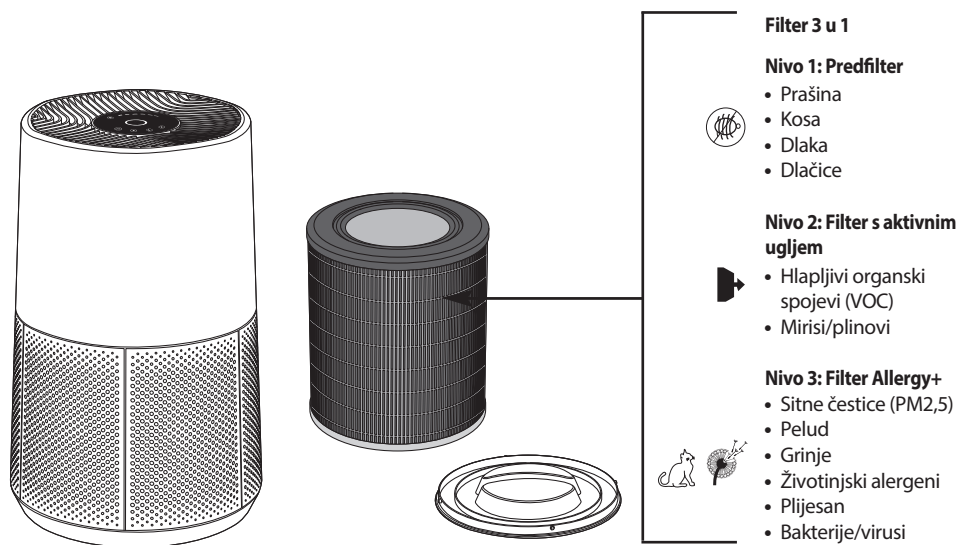
BS

135

134

## PRINCIP RADA

Pure Air City omogućava vam da udišete čist zrak u domu i štiti vaše zdravlje sa do 3 nivoa filtracije kao što je opisano u nastavku. Svaki od tih nivoa je presudno bitan i sprečava prolazak određenih onečišćivača:

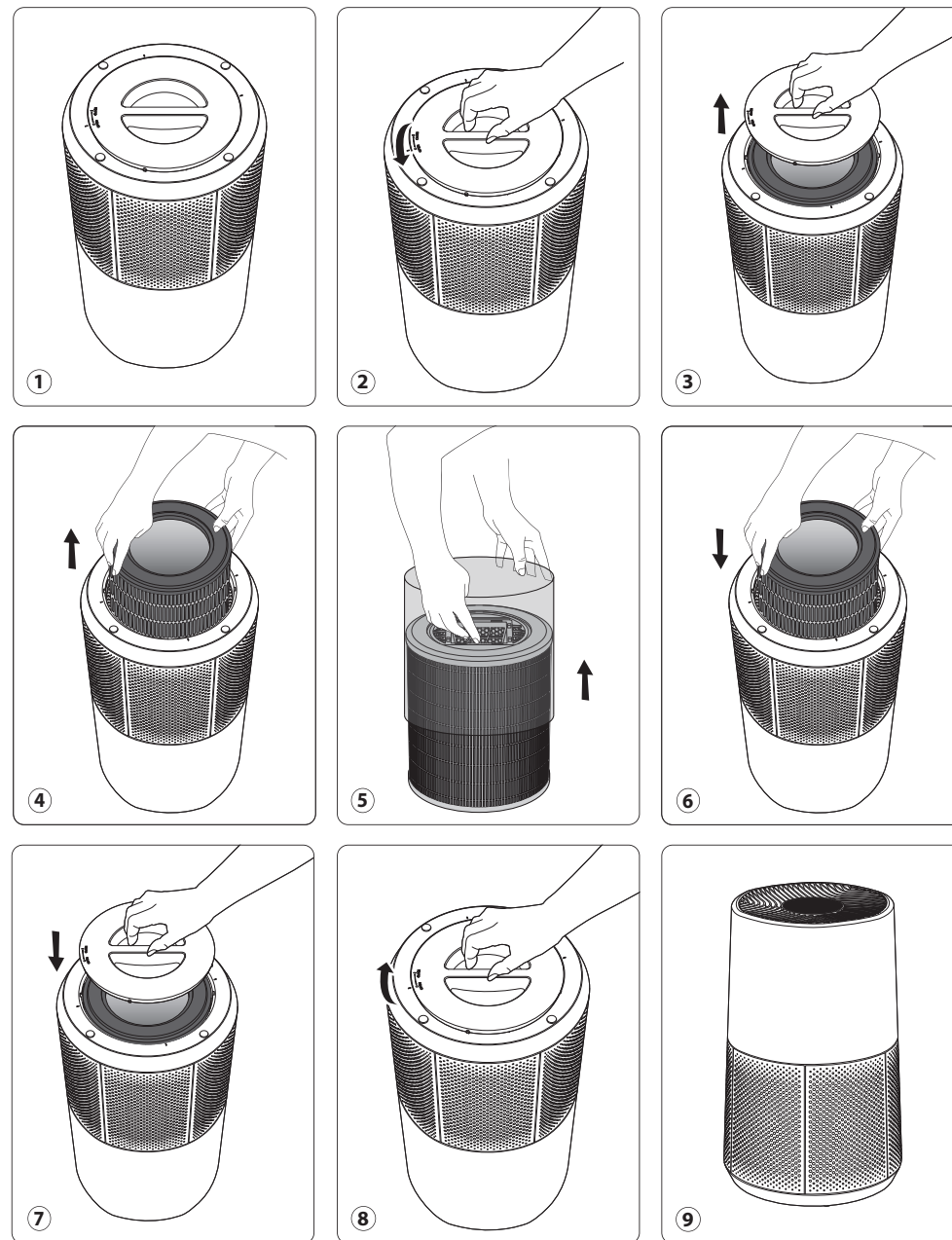


### « KAKO POSTIĆI ČIŠĆI ZRAK U ZATVORENOM PROSTORU »

Dajemo vam i nekoliko savjeta za poboljšavanje kvaliteta zraka u zatvorenom prostoru uz upotrebu aparata Intense Air Purifier:

- Prozračujte sobe najmanje 10 minuta svaki dan, ljeti i zimi
- Održavajte svoj sistem za ventilaciju
- Ograničite upotrebu sredstava za čišćenje domaćinstva
- Nemojte pušiti u zatvorenom prostoru
- Izbjegavajte mirise za domaćinstvo, mirisne štapiće, mirisne svijeće itd.
- Prozračite nakon bilo kakvih radova u domaćinstvu i nekoliko sedmica nakon toga
- Izbjegavajte zelene biljke koje djeluju kao alergeni ili ih treba često zalijevati

## RASTAVLJANJE / PONOVO SASTAVLJANJE FILTERA



BS



## GDJE POSTAVITI APARAT

Pročistač postavite na ravnu i stabilnu površinu u prostoriji u kojoj je potrebno provesti postupak. Da biste omogućili slobodno proticanje zraka, izbjegavajte postavljanje aparata iza zavjesa, ispod prozoraili blizu bilo kakve druge prepreke i ostavite najmanje 60 cm slobodnog prostora sa svake strane aparata.

## PRIJE PRVE UPOTREBE APARATA

**Prije upotrebe aparata provjerite da li je skinuta plastična ambalaža koja štiti filtere.**

Prije prve upotrebe provjerite da li napon, frekvencija i snaga aparata odgovaraju naponu vaše strujne mreže. Aparat može raditi kad je spojen na neuzemljenu utičnicu. EPS je svrstan u klasu II (dvostruka električna izolacija). Prije uključivanja aparata provjerite sljedeće:

- aparat je u potpunosti sastavljen u skladu sa opisom u sigurnosnim uputstvima
- aparat je postavljen na stabilnu horizontalnu površinu
- aparat je postavljen u skladu s uputstvima navedenima u ovom priručniku
- nema zapreka na ulazima za zrak i rešetki za izlaz zraka
- filteri i poklopac su pravilno postavljeni (pogledajte odjeljak "Rastavljanje/ponovno sastavljanje filtera")

**VAŽNO: Preporučujemo vam ga isključite aparat i iskopčate ga iz utičnice kad ga ne koristite.**

## KAKO POVEZATI PROČISTAČ NA INTERNET

Preuzmite aplikaciju "Pure Air By Rowenta" / "Pure Air by Tefal" i pratite uputstva na svojem pametnom telefonu:

1. Prijavite se kako biste kreirali Rowenta/Tefal račun ako ste novi korisnik. Ako već imate račun, prijavite se u aplikaciju.
2. Pazite da stojite blizu pročistača tokom uparivanja (maksimalno 2 metra udaljenosti) i provjerite nalazi li se pročistač blizu mjesta s jakim signalom Wi-Fi mreže.
3. Provjerite da li je telefon povezan na lokalnu Wi-Fi mrežu.
4. Uključite pročistač i pritisnite i držite tipku za Wi-Fi 5 sekunde (čut ćete zvuk "ding" i indikator za Wi-Fi će treptati kako bi se pokazalo da je pročistač uspješno povezan na Wi-Fi).
5. Izaberite Wi-Fi mrežu i unesite lozinku za mrežu da biste se povezali na lokalnu Wi-Fi mrežu.
6. I spremni ste!

Indikator za Wi-Fi treperi da bi se pokazalo da je pročistač uspješno povezan sa aplikacijom Pure Air.

## Wi-fi funkcija

Da biste pokrenuli novo uparivanje, držite tipku WIFI pritisnutu  5 sekunde.

- Kada indikator svijetli, proizvod je uparen/povezan.
- Kada indikator treperi brzo, pa sporo, proizvod se uparuje/povezuje sa WIFI serverima.
- Kada je indikator isključen, proizvod nije povezan.

## Problemi sa povezivanjem


Ako tokom povezivanja aparata i kućne Wi-Fi mreže dođe do problema u povezivanju, pogledajte informacije koje su navedene na sljedećoj lokaciji:

<https://www.compatibility.groupeseb.com/CompatibilityList-Pureair-Rowenta.pdf>

<https://www.compatibility.groupeseb.com/CompatibilityList-Pureair-Tefal.pdf>

## OPERACIJA

Da biste postigli najbolji efekat pročišćavanja, vaš prečistač treba da bude udaljen više od 60 cm od zida.

Uključivanje/isključivanje « Start/Stop (1) » 


- Pritisnite ovu tipku da biste uključili/isključili pročistač zraka.

« Izbor brzine (2) » 

- Ručno možete izabrati brzine pročišćavanja od 1 do 6.

« Tipka za automatski dnevni način rada (4) » 

- Brzina pročišćavanja je postavljena na brzinu 2, 4 ili 5 u zavisnosti od nivoa kvaliteta zraka.
- Ako je kvalitet zraka izvrstan, aparat se ne pokreće.

« Automatski noćni način rada (5) » 

- Brzina pročišćavanja je postavljena na brzinu 1, 2 ili 3 u zavisnosti od nivoa kvaliteta zraka.
- Ako je kvalitet zraka izvrstan, aparat se ne pokreće.
- Svjetla na uređaju se automatski gase nakon 5 sekundi. Za uključivanje kontrolne ploče pritisnite jednu od tipki.

« Onemogućavanje pristupa za djecu (3) » 

- Sistem zaključavanja sprečava pogrešno postavljanje pročišćivača tokom rada.
- Da biste ga aktivirali, pritisnite i držite tipku (3) 5 sekunde dok se ne uključi indikator daje upravljačka ploča zaključana. Da biste izašli iz ovog načina rada, ponovo pritisnite i držite tipku (3) 5 sekunde dok se indikator ne isključi. Kad je odabran ovaj način rada, ostale tipke su zaključane.

### • Indikacija kvaliteta zraka

Indikator kvaliteta zraka je krug oko tipke start/stop. Indikator kvaliteta zraka (7) nalazi se na kontrolnoj ploči aparata (A). Tri LED lampice pokazuju nivo kvaliteta zraka:

Kvalitet zraka	Boja za nivo kvaliteta zraka
Izvrstan	Plava
Malo zagađenje	Zelena
Umjereno zagađenje	Žuta
Veliko zagađenje	Crvena

## ČUVANJE I ODRŽAVANJE

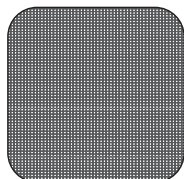
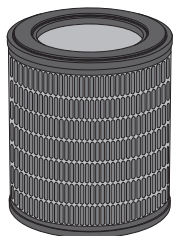
**Prije planiranja bilo kakvog održavanja uvijek isključite pročistač zraka na tipku start/ stop (1) i iskopčajte ga iz struje. Površinu proizvoda čistite vlažnom krpom.**

**Važno: Nemojte koristiti nikakva abrazivna sredstva jer mogu oštetiti površinu proizvoda.**

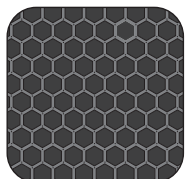
BS

## FILTER

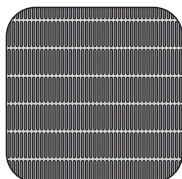
Aparat ima 3 vrste filtera:



Predfilter



Filter s aktivnim ugljem



Filter za čestice

### Učestalost čišćenja/zamjene filtera

Filter	Akcija	Ciklusi
<b>Predfilter</b>	Čišćenje (uklanjanje prašine)	Svake 2 do 4 sedmice
<b>Predfilter 3 u 1, filter Allergy+ i filter s aktivnim ugljem</b>	Zamjena	Svakih 12 mjeseci ili kada se uključi indikator za zamjenu filtera

Preporučena učestalost za zamjenu filtera može se razlikovati u zavisnosti od trajanja upotrebe i okoline u kojoj se aparat koristi.

### VAŽNO:

Indikator za zamjenu filtera (6) svijetli kada se filter treba zamijeniti. Nakon što se filter zamijeni, pritisnite i držite tipku 5 sekunde.

### Prisilno resetiranje:

Ako ste zamijenili filter prije nego što mu je istekao životni vijek, izvršite prisilno resetiranje ciklusa za zamjenu filtera:

1. Indikator za zamjenu filtera (6) držite pritisnut 5 sekunde;
2. Indikator svijetli. Držite tipku 5 sekunde da biste resetirali ciklus za zamjenu filtera.



### « SAVJETI ZA ZAMJENU FILTERA »

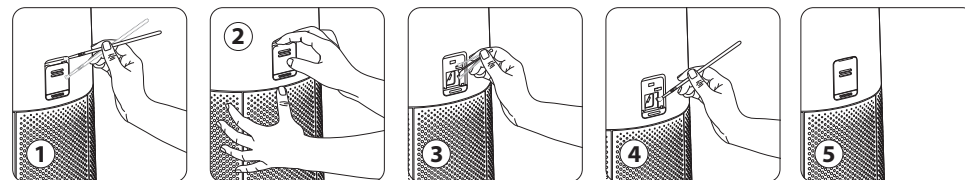
- Izbjegavajte rukovanje iskorištenim filterima ako bolujete od alergije ili astme.
- Nosite rukavice tokom zamjene filtera ili nakon zamjene dobro operite ruke.
- Iskorištene filtere stavite direktno u zatvorenu hermetički nepropusnu vrećicu prije nego što ih bacite kako biste izbjegli širenje onečišćivača.

## SENZORI ZA ZAGA ENJE

Senzor čestica treba se redovno čistiti (svaka 2 mjeseca) i na odgovarajući način.

**Obavezno isključite aparat i iskopčajte ga iz napajanja prije čišćenja senzora zagađenja i slijedite preporuke navedene u nastavku:**

1. Očistite otvor za ulaz i izlaz zraka mekanom četkicom ili krpicom.
2. Otvorite poklopac senzora koji se nalazi na stražnjoj strani aparata.
3. Malo navlažite štapić za uši i uklonite prašinu s leće i otvora za ulaz/izlaz zraka. Obrišite suhim štapićem za uši.
4. Očistite senzor koristeći mekanu četkicu ili usisivač.
5. Vratite poklopac senzora



### VAŽNO:

- Za čišćenje senzora ne upotrebljavajte deterđent ili metalne predmete.
- Učinkovitost senzora može se umanjiti ukoliko se ne čiste redovno.
- Učestalost čišćenja se razlikuje ovisno o okruženju u kojem aparat radi. Ako se aparat koristi u prašnjavom okruženju, senzore čistite češće.

## SKLADIŠTENJE

Kad ne koristite aparat, držite ga na hladnom i suhom mjestu u okruženju u kojem temperatura ne prelazi 35 °C (95 °F) 70% RH.

## U SLUČAJU PROBLEMA

- Nemojte sami rastavljati aparat. Loše popravljen aparat može biti opasan za korisnika.
- Prije obraćanja ovlaštenom servisnom centru, u nastavku pogledajte tabelu s prijedlozima za rješavanje problema.

Problem	Provjerite	Rješenje
<b>Aparat se ne uključuje.</b>	Je li kabal za napajanje priključen?	Priključite kabl za napajanje u utičnicu s propisanim naponom.
	Jesu li svi elementi pokazivača isključeni?	Pritisnite dugme za uključivanje/isključivanje i odaberite željenu funkciju.
	Je li nestalo struje?	Pročistač zraka možete koristiti nakon što se ponovo uspostavi napajanje električnom energijom. Provjerite da aparat nije u noćnom automatskom načinu rada.
<b>Protok zraka se ne mijenja automatski.</b>	Je li aparat u ručnom načinu rada?	Odaberite odgovarajući način rada.
<b>Protok zraka je mnogo slabiji nego prije.</b>	Mora li se filter očistiti ili zamijeniti?	Provjerite koliko se često čisti i zamijenite filter ako je potrebno.
		Provjerite da u predfilteru nema prašine i očistite ga ako je potrebno.
<b>Iz otvora za izlaz zraka izlazi neugodan miris.</b>	Da li lampica još uvijek pokazuje da je kvalitet zraka slab?	Provjerite koliko se često čisti i zamijenite filter ako je potrebno.
<b>Indikator za kvalitet zraka ne mijenja boju.</b>	Je li leća senzora prekrivena prašinom?	Očistite leću senzora mekanom krpom.

BS

Problem	Provjerite	Rješenje
<b>Pročistač se ne povezuje</b>	Je li vaš telefon povezan s ličnom Wi-Fi mrežom na početku postupka?	Provjerite jeste li povezani na ličnu Wi-Fi mrežu.
	Čini se da se pročistač ne povezuje?	Provjerite je li pročistač priključen na napajanje i uključen.
	LED lampica Wi-Fi veze na pročistaču ne trepće?	Držite tipku Wi-Fi 5 sekunde.
	Prvo uparivanje nije uspjelo?	Ponovo pokrenite proizvod da biste pokušali ponovo.
	Telefon je povezan na Wi-Fi, ali ne s pročistačem?	Provjerite jesu li dva dovoljno blizu jedan drugoga i blizu Wi-Fi rutera.
	Telefon se ne povezuje na Wi-Fi?	<ul style="list-style-type: none"> <li>• Provjerite da li je Wi-Fi ruter povezan na internet</li> <li>• Provjerite da lozinka za Wi-Fi nije promijenjena</li> </ul>
<b>Zašto se ne može upariti?</b>	Provjerite kompatibilnost: <a href="https://www.compatibility.groupeseb.com/CompatibilityList-Pureair-Rowenta.pdf">https://www.compatibility.groupeseb.com/CompatibilityList-Pureair-Rowenta.pdf</a>	Podržani tip enkripcije: WPA_1/WPA_2, TIPK; PSK, AES podržane mreže: 2,4 GHz

**VAŽNO: AKO JE DOŠLO DO ANOMALIJE ILI GUBITKA VEZE, ISKOPČAJTE PROČISTAČ NA NEKOLIKO MINUTA IZ STRUJE, A ZATIM GA PONOVO UKOPČAJTE.**

## GARANCIJA

Nemojte koristiti aparat i obratite se ovlaštenom servisnom centru u sljedećim slučajevima:

- uređaj je ispušten na pod;
- uređaj ili pripadajući kabal za napajanje je oštećen;
- uređaj više ne radi pravilno.
- Spisak ovlaštenih servisnih centara možete pronaći na međunarodnoj kartici s garancijom proizvođača Rowenta.

[www.rowenta.com](http://www.rowenta.com) i [www.tefal.com](http://www.tefal.com)

## RECIKLIRANJE

### POMOZIMO U ZAŠTITI ŽIVOTNE SREDINE!



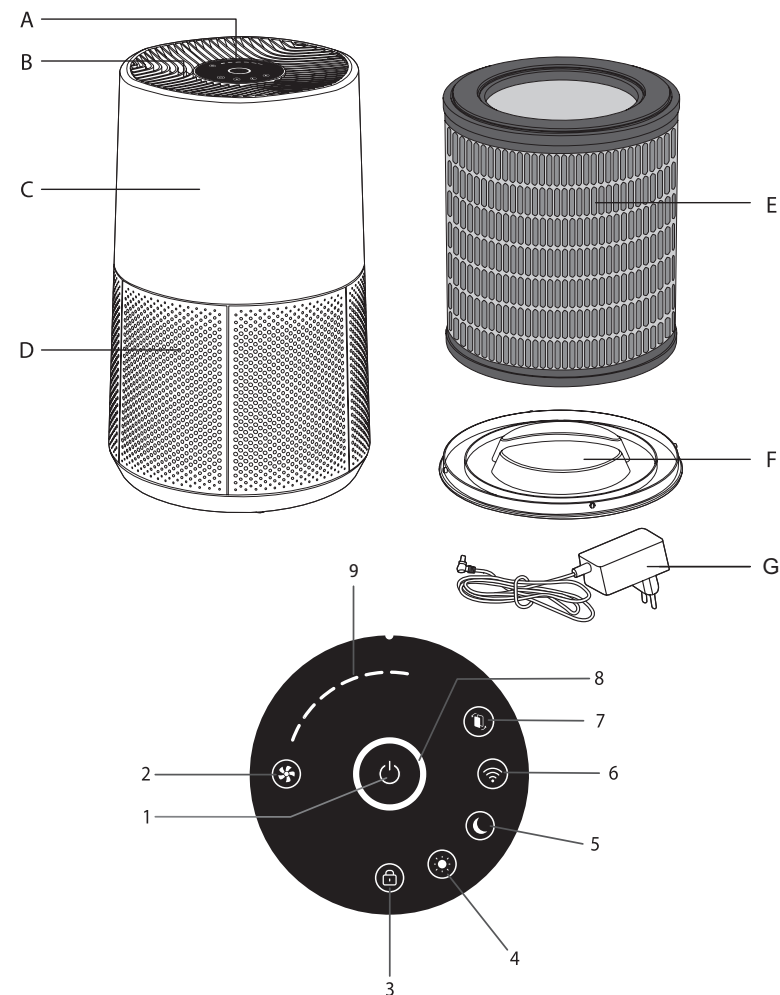
① Aparat sadrži vrijedne materijale koje je moguće ponovo koristiti ili reciklirati.

➡ Odložite ga na lokalno mjesto za sakupljanje otpada iz domaćinstva ili odnesite u ovlaštenu servisni centar radi dalje obrade.

**Ove upute dostupne su i na našim internetskim stranicama [www.tefal.com](http://www.tefal.com) i [www.rowenta.com](http://www.rowenta.com).**

## REZIME

PREGLED PROIZVODA	144
BEZBEDNOSNA UPUTSTVA	145
VEOMA VAŽNO	145
PRINCIP RADA	146
RASTAVLJANJE / PONOVRNO SASTAVLJANJE FILTERA	147
GDE UGRADITI APARAT	148
PRE PRVE UPOTREBE	148
KAKO POVEZATI VAŠ PREČISTAČ NA INTERNET	148
RAD	149
NEGA I ODRŽAVANJE	149
SKLADIŠTE	149
U SLUČAJU PROBLEMA	151
GARANCIJA	152
POMOZITE U ZAŠTITI ŽIVOTNE SREDINE!	152



## PREGLED PROIZVODA

### Pribor za glavno telo

- A. Kontrolna tabla
- B. Izlaz vazduha
- C. Glavno telo
- D. Ulaz za vazduh
- E. Filter
- F. Poklopac filtera
- G. Adapter

### Kontrolna dugmad

- 1. Pokretanje / zaustavljanje
- 2. Izbor brzine
- 3. Sigurnosna brava
- 4. Dnevni automatski režim
- 5. Noćni automatski režim
- 6. Wifi dugme
- 7. Indikator zamene filtera

### Lampice na kontrolnoj tabli

- 8. Indikator kvaliteta vazduha
- 9. Izabrani indikator brzine

SR

## Pažljivo pročitajte uputstva za upotrebu i bezbednosna uputstva pre korišćenja i sačuvajte ih radi buduće upotrebe.

### BEZBEDNOSNA UPUTSTVA

#### UPOZORENJA

Neophodno je da pažljivo pročitate ova uputstva i da se pridržavate sledećih preporuka::

- Radi vaše bezbednosti, ovaj aparat je napravljen u skladu sa svim važećim standardima i propisima (direktivama o niskom naponu, elektromagnetnoj kompatibilnosti, životnoj sredini itd.).
- Aparat smeju da upotrebljavaju osobe (uključujući decu) ograničenih fizičkih, čulnih ili mentalnih sposobnosti ili nedovoljnog iskustva i znanja, pod uslovom da ih nadzire osoba odgovorna za njihovu bezbednost koja im je prethodno dala uputstva o načinu upotrebe aparata.
- Decu treba nadgledati kako bi se osiguralo da se ne igraju sa aparatom.
- Ovaj aparat mogu da upotrebljavaju deca uzrasta od 8 godina i starija i osobe ograničenih fizičkih, čulnih ili mentalnih sposobnosti ili nedovoljnog iskustva i znanja ako su pod nadzorom ili ako su upućeni u bezbedan način upotrebe aparata i ako su razumeli moguće opasnosti. Deca se ne smeju igrati sa aparatom.
- Ako je kabl za napajanje oštećen, moraju ga zameniti proizvođač, postprodajni servis ili drugo kvalifikovano lice kako bi se sprečila opasnost.
- Deca ne smeju da obavljaju čišćenje ili održavanje aparata bez nadzora.
- Postupke održavanja potražite u odeljku „Održavanje“.
- Čuvajte aparat i kabl za napajanje van domašaja dece mlađe od 8 godina.
- Ovaj aparat je namenjen samo za upotrebu u domaćinstvu. • Ne sme se koristiti u industrijske svrhe.
- Garancija će biti nevažeća ako dođe do štete usled nepravilne upotrebe.
- Ne koristite aparat na izrazito prašnjavim i/ili vlažnim mestima, niti na mestima gde je prisutna opasnost od požara.
- Pre upotrebe se uvek uverite da su aparat, utikač i kabl za napajanje u dobrom stanju.
- Ne gurajte predmete (poput igala itd.) u aparat.
- Ne povlačite kabl za napajanje ili aparat, čak ni kada ga izvlačite iz zidne utičnice.
- Razmotajte i ispravite kabl u potpunosti pre upotrebe.

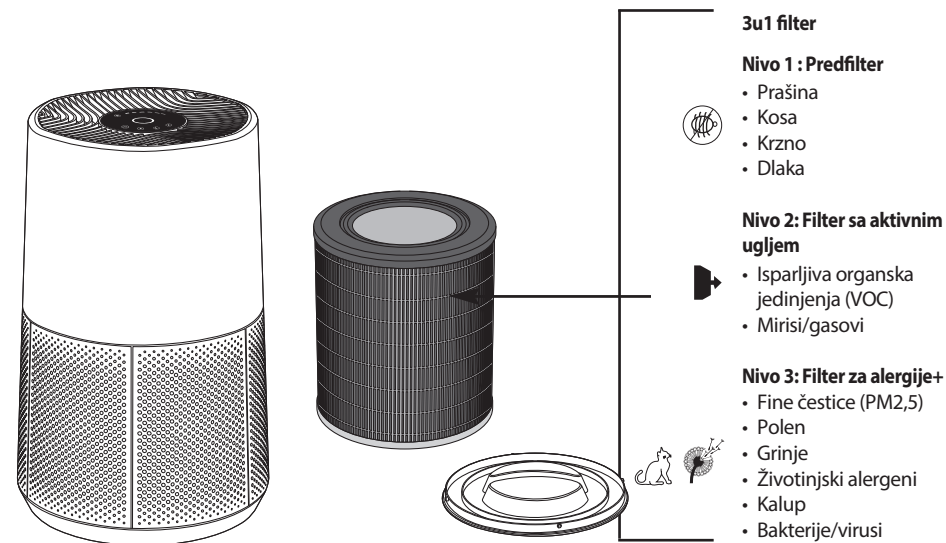
 Ako su iglice na utikaču oštećene, jedinica za napajanje se mora odložiti u otpad.

### VEOMA VAŽNO

- **Ne prekrivajte ulaze za vazduh ni rešetku izlaza za vazduh.**
- **Ne dodirujte aparat mokrim rukama.**
- **Ne dozvolite da bilo kakva tečnost prođe u aparat.**
- **Ne koristite aparat na vlažnim mestima.**
- **Ne koristite aparat u blizini izvora toplote.**
- **Ne stavljajte druge predmete na aparat i ne gurajte druge predmete u aparat.**
- **Ne koristite aparat u blizini zapaljivih predmeta ili proizvoda (zavesa, sprejeva, rastvarača itd.).**
- **Ne koristite aparat u nagnutom ili u horizontalnom položaju. • Držite aparat na ravnoj, stabilnoj površini.**
- **U slučaju dužeg odsustva, isključite aparat i iskopčajte ga iz struje.**
- **Isključite i iskopčajte aparat iz struje pre premeštanja.**
- **Iskopčajte prečišćivač vazduha iz struje tokom sklapanja i čišćenja.**

### PRINCIP RADA

Pure Air City omogućava vam da udišete čist vazduh u svom domu i da zaštitite svoje zdravlje pomoću 3 nivoa filtracije kao što je opisano u nastavku. Svaki nivo je bitan i zarobljava određene zagađivače:



### « KAKO DA DOBIJETE ČISTIJI UNUTRAŠNJI VAZDUH »

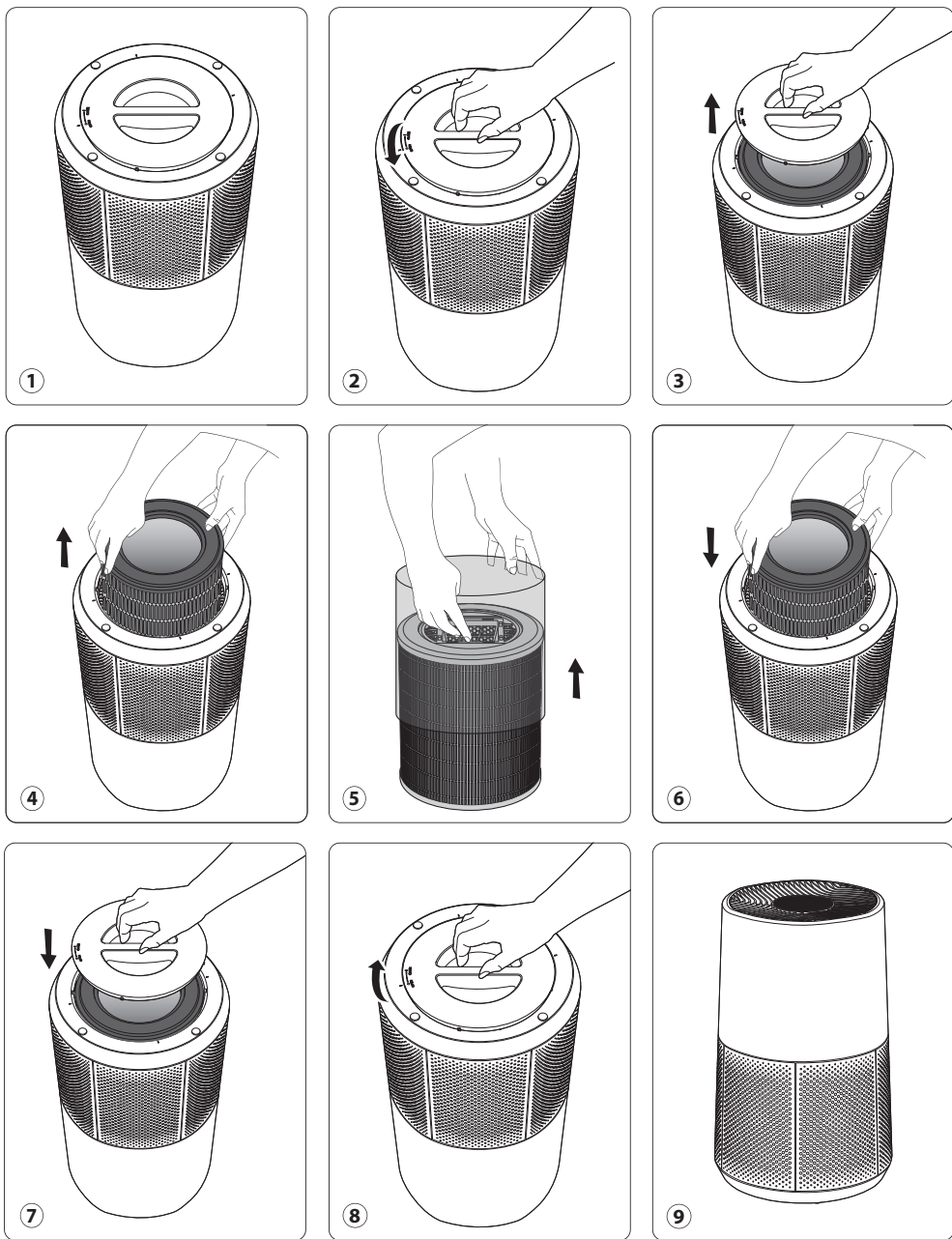
Pored uputstava za korišćenje prečišćivača Intense Pure Air, evo i nekoliko saveta kako da poboljšate kvalitet vazduha u unutrašnjim prostorijama:

- Provetravati prostorije najmanje 10 min. svaki dan, leti i zimi
- Održavajte svoj ventilacioni sistem
- Ograničite upotrebu proizvoda za domaćinstvo
- Ne pušite u zatvorenom prostoru
- Izbegavajte kućne mirise, mirisne štapiće, mirisne sveće itd.
- Provetrite svaki put kada se u vašem domu obavlja bilo kakav posao i nekoliko puta nedelje nakon toga
- Izbegavajte zelene biljke koje su alergene ili im je potrebno često zalivanje

SR



## RASKLAPANJE / PONOVO SKLAPANJE FILTERA



## GDE INSTALIRATI APARAT

Postavite prečišćivač na ravnu, stabilnu površinu u prostoriji kojoj je potrebno tretiranje.

Da biste omogućili neometanu cirkulaciju vazduha, izbegavajte postavljanje aparata iza zavesa, ispod prozora, ili blizu bilo kakvih drugih prepreka i ostavite najmanje 60 cm slobodnog prostora sa svake strane aparata.

## PRE KORIŠĆENJA APARATA PRVI PUT

**Uverite se da ste uklonili zaštitnu plastičnu ambalažu sa filtera pre korišćenja aparata.**

Pre prve upotrebe, uverite se da su napon, frekvencija i snaga aparata pogodni za vaše električno napajanje.

Aparat može da radi preko neuzemljene utičnice. EPS je klasa II (dvostruka električna izolacija).

Pre uključivanja aparata, proverite:

- aparat je potpuno sastavljen kako je opisano u bezbednosnim uputstvima,
- aparat je postavljen na stabilnu, horizontalnu površinu,
- aparat je postavljen u skladu sa uputstvima datim u ovom priručniku,
- ulazi za vazduh i izlazna rešetka su potpuno neometani,
- filteri i poklopac su pravilno instalirani (pogledajte odeljak „Rastavljanje / ponovno sklapanje filtera“)

**VAŽNO: Savetujemo vam da isključite i iskopčate aparat iz utičnice kada ga ne koristite.**


## KAKO POVEZATI VAŠ PREČIŠTAČ NA INTERNET

Preuzmite aplikaciju «Pure Air By Roventa» / «Pure Air by Tefal» i pratite uputstva na svom pametni telefon:

1. Prijavite se da biste kreirali Rowenta/Tefal nalog ako ste novi korisnik. Ili se prijavite u aplikaciji ako već imate nalog.
2. Uverite se da stojite blizu prečišćivača tokom uparivanja (na udaljenosti od najviše 2 metra), kao i da je prečišćivač u blizini jakog Wi-Fi signala..
3. Uverite se da je telefon povezan sa lokalnom Wi-Fi mrežom.
4. Uključite prečišćivač i držite taster za Wi-Fi na 5 sekunde (čućete zvuk zvana i Wi-Fi indikator će treperiti kao znak da je prečišćivač uspešno povezan na Wi-Fi mrežu).
5. Izaberite vašu Wi-Fi mrežu i unesite mrežnu lozinku da biste se povezali na lokalnu Wi-Fi mrežu.
6. Gotovo!

Wi-Fi indikator će se uključiti kao znak da je prečišćivač uspešno povezan na Pure Air aplikaciju.

## Wi-Fi funkcija

Da biste pokrenuli novo uparivanje, pritisnite dugme WiFi  na 5 sekunde.

- Kada je lampica uključena, proizvod je uparen/povezan.
- Kada svetlo treperi brzo, a zatim sporo, proizvod se uparuje/povezuje na WIFI/serve.
- Kada je lampica uključena, proizvod nije povezan.

## Problemi sa vezom

U slučaju problema uparivanja između uređaja i vaše domaće Wi-Fi mreže, pogledajte informacije navedene na sledećem linku:

<https://www.compatibility.groupeseb.com/CompatibilityList-Pureair-Rowenta.pdf>

<https://www.compatibility.groupeseb.com/CompatibilityList-Pureair-Tefal.pdf>

### RAD

Da biste postigli najbolji efekat prečišćavanja, vaš prečištač treba da bude udaljen više od 60 cm od zida.

Napajanje « Start/Stop (1) » 


– Pritisnite ovaj taster da biste uključili ili isključili prečišćivač vazduha.

« Izbor brzine (2) » 


– Možete ručno odabrati brzinu prečišćavanja od brzine 1 do brzine 6.

« Dugme automatskog dnevnog režima (4) » 

– Brzina prečišćavanja je podešena na brzinu 2, brzinu 4 ili brzinu 5 u zavisnosti od nivoa kvaliteta vazduha.  
– Ako je kvalitet vazduha odličan, uređaj neće raditi.

« Dugme automatskog noćnog režima (4) » 

– Brzina prečišćavanja je podešena na brzinu 1, brzinu 2 ili brzinu 3 u zavisnosti od nivoa kvaliteta vazduha.  
– Ako je kvalitet vazduha odličan, uređaj neće raditi.  
– Svetla na uređaju se automatski gase nakon 5 sekundi. Da biste ponovo uključili kontrolnu tablu, pritisnite jedan od tastera.

« Sigurnosna brava (3) » 

– Sistem zaključavanja sprečava nehotično pogrešno podešavanje prečišćivača tokom rada.  
– Da biste ga uključili, pritisnite taster (3) na 5 sekunde tako da se indikator zaključane kontrolne table uključi. Za izlazak iz ovog režima, ponovo pritisnite taster (3) na 5 sekunde tako da se indikator isključi. Kada je ovaj režim izabran, ostali tasteri su zaključani.

#### • Indikacija kvaliteta vazduha

Indikator kvaliteta vazduha je svetlosni krug oko dugmeta za pokretanje/zaustavljanje. Indikator kvaliteta vazduha (7) se nalazi na « kontrolnoj tabli (A) » aparata. LED lampice ukazuju na nivo kvaliteta vazduha:

Kvalitet vazduha	Boja nivoa kvaliteta vazduha
Odlično	Plava
Blago zagađenje	Zelena
Umereno zagađenje	Žuta
Visoko zagađenje	Crvena

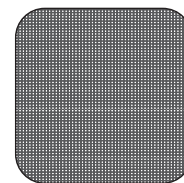
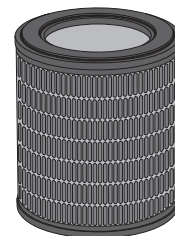
### ODRŽAVANJE

Pre nego što započnete bilo kakvo održavanje, isključite prečišćivač vazduha pritiskom na « start/ stop dugme (1) ». Koristite vlažnu krpu da biste očistili površinu proizvoda.

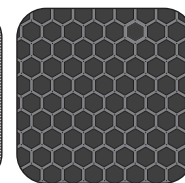
**Važno:** Nemojte da koristite abrazivne materijale koji bi mogli da oštete površinu proizvoda.

## FILTER

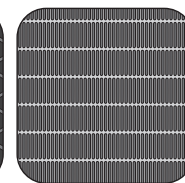
Ovaj aparat je opremljen sa 3 tipa filtera:



Prefilter



Filter sa aktivnim ugljem



Filter za čestice

Učestalost čišćenja/zamena filtera:

Filter	postupak	Ciklusi
Prefilter	Čišćenje (uklanjanje prašine)	Jednom na svake 2 do 4 nedelje
3-u-1 prefilter, alergijski + filter i aktivni ugalj	Zameniti	Svakih 12 meseci ili kada se upali indikator promene filtera

Preporučena učestalost zamene filtera može da varira u zavisnosti od trajanja upotrebe i operativno okruženje.

#### VAŽNO:

Indikator promene filtera (6) svetli kada filter treba da se zameni. Nakon što ste zamenili filter, držite dugme 5 sekunde .

#### Nametnuto resetovanje:

Ako ste zamenili filter pre nego što mu je istekao vek trajanja, nametnite resetovanje ciklusa filtera:

1. držite indikator zamene filtera (6) 5 sekunde.
2. Indikator je upaljen. Držite dugme pritisnuto 5 sekunde da biste resetovali ciklus filtera.



#### « SAVETI ZA PROMENU FILTERA »

- Izbegavajte da rukujete iskorišćenim filterima ako bolujete od alergija ili astme.
- Nosite rukavice prilikom zamene filtera ili temeljno operite ruke nakon zamene.
- Ubacite iskorišćene filtere direktno u hermetički zatvorenu kesu pre nego što ih bacite da biste sprečili širenje zagađivača.

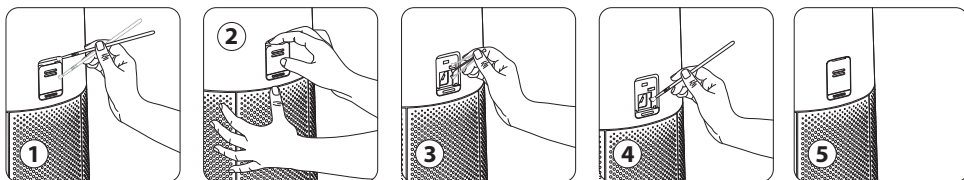
## SENZORI ZAGA ENJA

Senzor za čestice treba da se čisti redovno (na svaka 2 meseca) i na odgovarajući način.

**Uverite se da ste isključili i iskopčali aparat iz struje pre čišćenja senzora zagađenja i sledite preporuke u nastavku:**

1. Očistite ulaz i izlaz za vazduh mekom četkom ili krpom.
2. Otvorite poklopac senzora koji se nalazi na zadnjoj strani aparata.
3. Lagano navlažite pamučni štapić za uši i uklonite prašinu sa sočiva i sa ulaza/izlaza. Obrišite suvim pamučnim štapićem za uši.
4. Očistite senzor mekom četkom ili usisivačem.
5. Zamenite poklopac senzora

SR



#### VAŽNO:

- Ne koristite deterdžente ili metalne predmete za čišćenje senzora.
- Neredovno čišćenje senzora može da umanjí njihovu efikasnost.
- Učestalost čišćenja se razlikuje u zavisnosti od radnog okruženja aparata.
- Češće čistite senzore ako koristite aparat u prašnjavom okruženju.

### ČUVANJE

Kada ne koristite aparat, čuvajte ga na suvom, hladnom mestu u uslovima okruženja ispod 35°C i 70% RH.

### U SLUČAJU PROBLEMA

- Nemojte rastavljati sami aparat. Loše popravljen aparat može biti opasan za korisnika.
- Pogledajte tabelu za rešavanje problema u nastavku pre nego što kontaktirate odobreni servisni centar:

Problem	Provera	Rešenje
Aparat se ne uključuje.	Da li je kabl za napajanje povezan?	Priključite kabl za napajanje u utičnicu sa odgovarajućim naponom.
	Da li su elementi prikaza isključeni?	Pritisnite taster za uključivanje/isključivanje i izaberite potrebnu funkciju.
	Da li je došlo do nestanka struje?	Moći ćete da koristite prečišćivač kada ponovo dođe struja. Proverite da vaš uređaj nije u Noćnom automatskom režimu.
Vazдушna struja se ne menja automatski.	Da li se aparat nalazi u manuelnom režimu?	Izaberite pravilan režim rada.
Vazдушna struja je dosta slabija nego pre.	Da li je potrebno očistiti ili zameniti filter?	Proverite učestalost zamene filtera i zamenite filter ako je potrebno.
		Proverite da li je predfilter bez prašine i očistite ga ako je potrebno.
Izlaz za vazduh dopire neprijatan miris.	Da li lampica i dalje ukazuje na loš kvalitet vazduha?	Proverite učestalost zamene filtera i zamenite filter ako je potrebno.
Indikator kvaliteta vazduha ne menja boju.	Da li je sočivo senzora prekriveno prašinom?	Očistite sočivo senzora mekom četkom.

Problem	Provera	Rešenje
Prečišćivač se ne povezuje	Da li ste povezali telefon na vašu ličnu Wi-Fi mrežu na početku postupka?	Proverite da li ste povezani na vašu ličnu Wi-Fi mrežu.
	Izgleda da se prečišćivač ne povezuje?	Proverite da li je prečišćivač priključen u struju i uključen.
	LED lampica za Wi-Fi na prečišćivaču ne treperi?	Držite taster za Wi-Fi 5 sekunde. Ponovo pokrenite da biste opet pokušali.
	Početno uparivanje nije uspešno?	Restartujte proizvod da bi se ponovo pokrenuo.
	Moj telefon je povezan na Wi-Fi mrežu, ali prečišćivač nije?	Uverite se da su oba uređaja dovoljno blizu jedan drugom i Wi-Fi ruteru.
Moj telefon se ne povezuje na Wi-Fi mrežu?	<ul style="list-style-type: none"> <li>• Proverite da li je vaš Wi-Fi ruter povezan na internet</li> <li>• Proverite da se lozinka za Wi-Fi nije promenila</li> </ul>	
Zašto uparivanje ne radi?	Proverite kompatibilnost: <a href="https://www.compatibility.groupeseb.com/CompatibilityList-Pureair-Rowenta.pdf">https://www.compatibility.groupeseb.com/CompatibilityList-Pureair-Rowenta.pdf</a>	Podržani tip šifrovanja: WPA_1/WPA_2, TIPK; PSK, AES podržane mreže: 2,4 GHz

**VAŽNO: U SLUČAJU ANOMALIJE ILI GUBITKA VEZE, MOLIMO VAS ISKLJUČITE VAŠ PREČIŠĆIVAČ ZA NEKOLIKO MINUTA A ONDA GA PONOVO UKLJUČITE.**

### GARANCIJA

Nemojte koristiti aparat i kontaktirajte odobreni servisni centar ako:

- Ispustili ste aparat;
- Oštećen je aparat ili kabl za napajanje;
- Aparat više ne radi ispravno.
- Spisak odobrenih servisnih centara možete pronaći na međunarodnim garantnim listovima kompanije Rowenta. [www.rowenta.com](http://www.rowenta.com) and [www.tefal.com](http://www.tefal.com)

### RECIKLIRANJE

### POMOZIMO U ZAŠTITI ŽIVOTNE SREDINE!

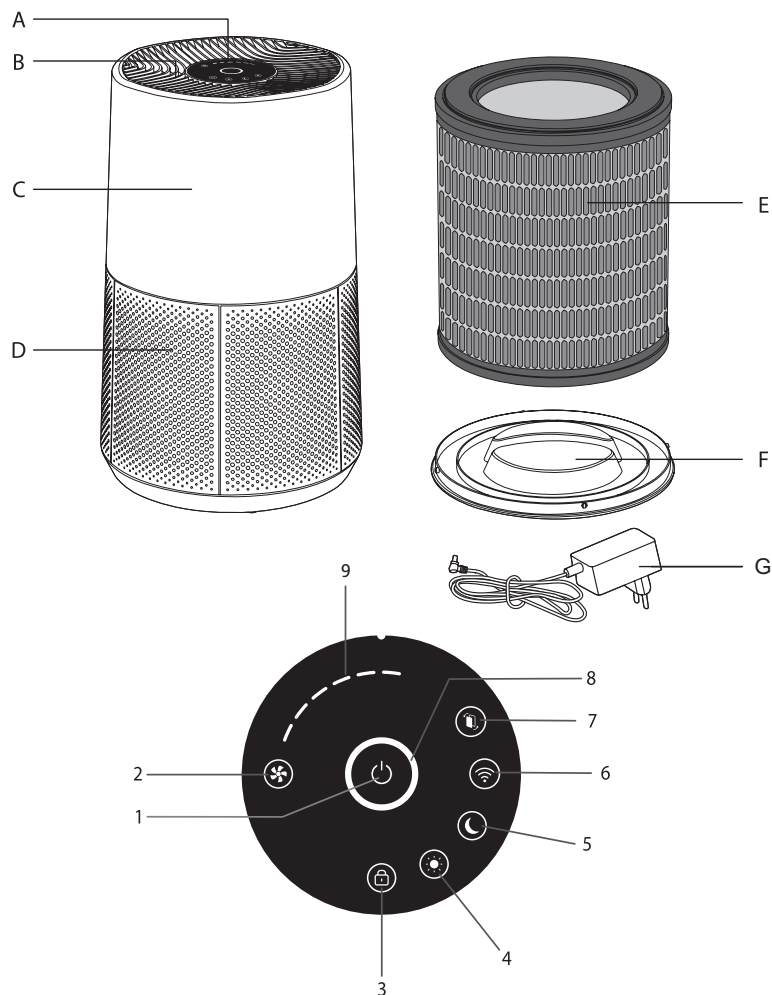
- ♻️ Vaš aparat sadrži vredne materijale koji mogu ponovo da se upotrebljavaju ili recikliraju.
- ➡️ Odnosite ga na lokalno mesto za prikupljanje otpada ili u ovlašćeni servisni centar radi obrade.

Ova uputstva takođe možete pronaći na našem internet sajtu, na [www.rowenta.com](http://www.rowenta.com) i [www.tefal.com](http://www.tefal.com)

SR

## РЕЗИМЕ

ПРЕГЛЕД НА ПРОИЗВОДОТ	154
БЕЗБЕДНОСНИ УПАТСТВА	155
МНОГУ ВАЖНО	155
ОПЕРАТИВЕН ПРИНЦИП	156
РАСКЛОПУВАЊЕ / СКЛОПУВАЊЕ НА ФИЛТРИТЕ	157
КАДЕ ДА ГО ИНСТАЛИРАТЕ УРЕДОТ ПРЕД	158
ПРВОТО КОРИСТЕЊЕ	158
КАКО ДА ГО ПОВРЗЕТЕ ПРОЧИСТУВАЧОТ НА ИНТЕРНЕТ	158
РАКУВАЊЕ	159
ГРИЖА И ОДРЖУВАЊЕ	159
СКЛАДИРАЊЕ	161
ВО СЛУЧАЈ НА ПРОБЛЕМ	161
ГАРАНЦИЈА	162
ПОМОГНЕТЕ ВО ЗАШТИТАТА НА ЖИВОТНАТА СРЕДИНА!	162



## ПРЕГЛЕД НА ПРОИЗВОДОТ

### Додатоци на главното куќиште Контролни копчиња

- |                      |   |
|----------------------|---|
| A. Контролна табла   | 1. Start / Stop (Старт/Стон)                |
| B. Излез за воздух   | 2. Speed selection (Избор на брзина)        |
| C. Главно куќиште    | 3. Child lock (Заклучување за деца)         |
| D. Влез за воздух    | 4. Mode Auto Day (Автоматски дневен режим)  |
| E. Филтер            | 5. Mode Auto Night (Автоматски ноќен режим) |
| F. Капак на филтерот | 6. Копче за Wifi                            |
| G. Адаптер           | 7. Индикатор за промена на филтер           |

### Светилки на контролната плоча

- |                                    |
|------------------------------------|
| 8. Индикатор за квалитет на воздух |
| 9. Индикатор за избрана брзина     |

## Внимателно прочитајте го упатството за користење пред употребата на апаратот изачувајте го за идни потреби.

### БЕЗБЕДНОСНИ УПАТСТВА

#### ПРЕДУПРЕДУВАЊА

Клучно е внимателно да ги прочитате овие упатства и да ги следите следниве препораки:

- За ваша безбедност, овој апарат е усогласен со соодветните стандарди и прописи (низок напон, електромагнетна компатибилност, директивите за заштита на животната средина итн.).
- Уредот не треба да го користат лица (вклучувајќи деца) со намалени физички, сетилни или ментални способности или недоволно искусни или обучени лица, освен доколку не се под надзор или претходно не им се дадени инструкции за користењето на апаратот од страна на лице одговорно за нивната безбедност.
- Децата мора да бидат под надзор за да не си играат со апаратот.
- Овој апарат може да го користат деца постари од 8 години и лица со недостаток на знаење или искуство и ограничени физички, сетилни или ментални способности, под услов да се под надзор, да бидат обучени за безбедно користење на апаратот и да се информирани за можните опасности. Децата не смеат да си играат со апаратот.
- Ако кабелот за напојување е оштетен, тој мора да се замени од страна на производителот, овластен сервисен центар или слично квалификувано лице со цел да се избегнат какви било опасности.
- Децата не треба да го чистат или да го одржуваат апаратот без надзор.
- За операциите за одржување, погледнете во делот „одржување“.
- Апаратот и кабелот за напојување чувајте ги подалеку од дофат на деца помлади од 8 години.
- Овој апарат е предвиден за употреба само во домаќинства. Не треба да се користи за индустриски цели.
- Гаранцијата нема да важи ако настане оштетување поради неправилна употреба.
- Не користете го апаратот на многу прашливо и/или влажно место или, пак, на локација во која има опасност од избивање пожар.
- Пред употреба, секогаш проверувајте дали апаратот, приклучокот за напојување и кабелот за напојување се во добра состојба.
- Никогаш не вметнувајте предмети во апаратот (на пр. игли итн.).
- Не влечете го кабелот за напојување или апаратот, дури ни за да го извадите приклучокот од штекерот.
- Одвиткајте ја целата должина на кабелот пред употреба.

Ако пиновите на приклучоците се оштетени, струјното напојување на приклучокот може да се оштети.

### МНОГУ ВАЖНО

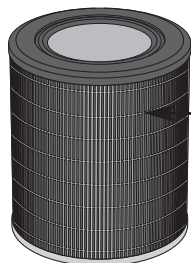
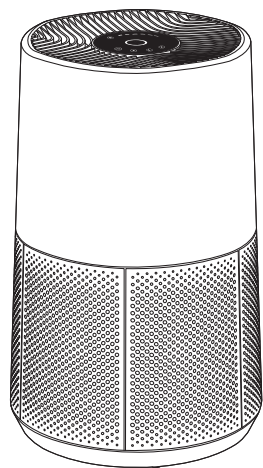
- **Не покривајте ги влезите за воздух или решетката за излез на воздух.**
- **Не допирајте го апаратот со влажни раце.**
- **Никогаш не дозволувајте течности да навлезат во апаратот.**
- **Никогаш не користете го апаратот на влажно место.**
- **Никогаш не користете го апаратот во близина на извор на топлина.**
- **Никогаш не ставајте предмети врз апаратот и не вметнувајте ништо во него.**
- **Не користете го апаратот во близина на запаливи предмети или производи (завеси, аеросоли, растворувачи итн.).**
- **Никогаш не користете го апаратот во подигната или хоризонтална положба. Поставувајте го апаратот на рамна, стабилна површина.**
- **Во случај на подолго отсуство, исклучете го апаратот и исклучете го од штекер.**
- **Исклучете го апаратот и исклучете го од штекер пред да го преместувате.**
- **Прочистувачот на воздух мора да биде исклучен од штекер за време на склопувањето и чистењето.**





## ОПЕРАТИВЕН ПРИНЦИП

Pure Air City ви овозможува да дишете чист воздух во вашиот дом и го штити вашето здравје благодарение на до 3 нивоа на филтрација, како што е опишано подолу. Секое ниво е важно и заробува специфични загадувачи :



### Филтер 3 во 1

#### Ниво 1 : Претфилтер

- Прав
- Влакна
- Крзно
- Влакненца

#### Ниво 2: Филтер со активен јаглен

- Испарливи органски соединенија (VOC)
- Мириси/гасови

#### Ниво 3: Филтер за алергии+

- Фини честички (PM2,5)
- Полен
- Грини
- Алергени од животни
- Мувла
- Бактерии/вируси

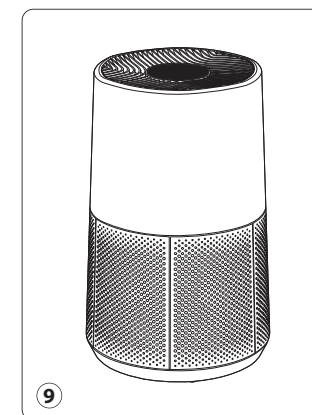
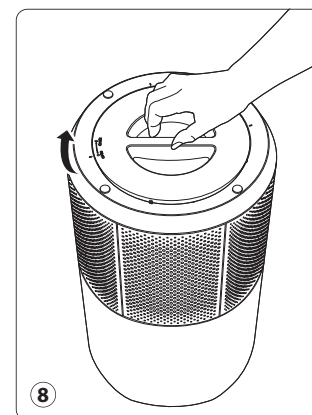
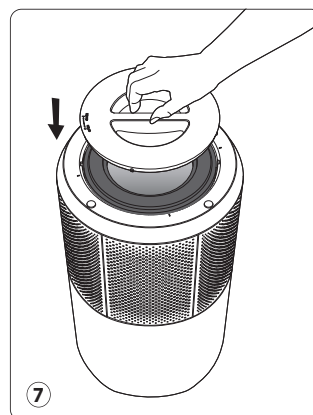
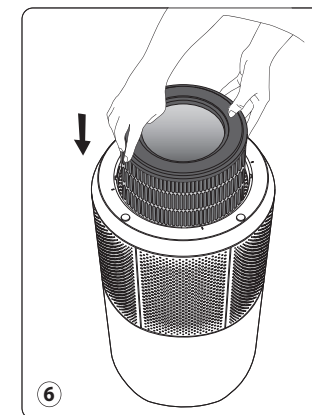
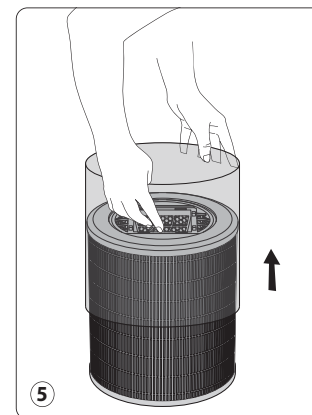
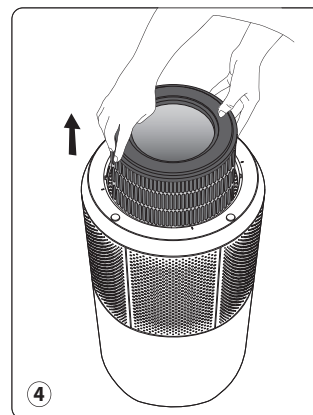
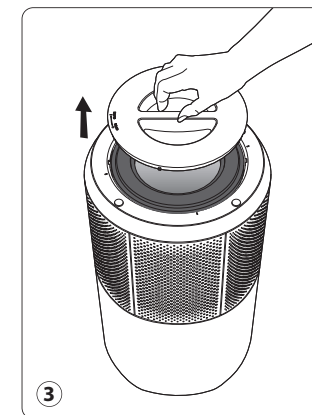
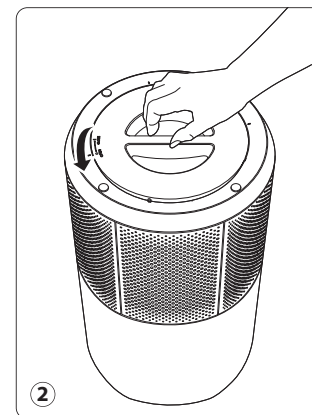
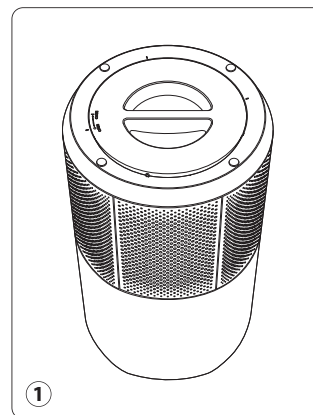


## « КАКО ДА ДОБИЕТЕ ПОЧИСТ ВОЗДУХ ВО ЗАТВОРЕН ПРОСТОР »

Покрај користењето на Intense Air Purifier, еве уште неколку совети за подобрување на квалитетот на воздухот во затворен простор:

- Проветрувајте ги собите најмалку 10 мин. секој ден, и во зима и во лето
- Одржувајте го системот за вентилација
- Ограничете го користењето на производи за домаќинството
- Не пушете во затворен простор
- Избегнувајте домашни мириси, мирисливи стапчиња, мирисливи свеќи итн.
- Проветрувајте кога работите нешто во домот и неколку седмици потоа
- Избегнувајте зелени растенија што се алергени или бараат често наводнување

## РАСКЛОПУВАЊЕ / СКЛОПУВАЊЕ НА ФИЛТРИТЕ



## КАДЕ ДА ГО ИНСТАЛИРАТЕ УРЕДОТ ПРЕД

Поставете го прочистувачот на рамна, стабилна површина во просторијата на која ѝ е потребно прочистување. За да овозможите слободна циркулација на воздухот, не поставувајте го апаратот зад завеси, под прозорец или во близина на каква било друга пречка и оставете најмалку 60 cm слободен простор од секоја страна на апаратот.

## ПРЕД ПРВАТА УПОТРЕБА НА АПАРАТОТ

**Пред да го користите апаратот, отстранете ја пластичната заштита на филтрите.**

Пред првата употреба, проверете дали напонот, фреквенцијата и напојувањето на апаратот одговараат на вашето електрично напојување.

Вашиот апарат може да функционира со приклучок без заземјување. EPS е класа II (двојна електрична изолација). Пред вклучувањето на апаратот, уверете се дека:

- апаратот е целосно склопен како што е наведено во безбедносните упатства,
- апаратот е поставен на стабилна, хоризонтална површина,
- апаратот е поставен во согласност со упатствата дадени во овој прирачник,
- влезовите за воздух и решетката за излез на воздух воопшто не се блокирани,
- филтрите и капак се правилно инсталирани (погледнете го делот „Расклопување / склопување на филтерот“)


**ВАЖНО: Препорачуваме да го исклучите апаратот и да го извлечете приклучокот од штекер кога не го користите.**

## КАКО ДА ГО ПОВРЗЕТЕ ПРОЧИСТУВАЧОТ НА ИНТЕРНЕТ

Преземете ја апликацијата «Pure Air By Rowenta» / «Pure Air by Tefal» и следете ги упатствата на вашиот паметен телефон :

1. Ако сте нов корисник, најавете се за да создадете сметка на Rowenta/Tefal. Ако веќе имате сметка, најавете се во апликацијата.
2. Застанете блиску до прочистувачот при впарувањето (најмногу на 2 метри растојание) и проверете дали прочистувачот се наоѓа во близина на силен Wi-Fi сигнал.
3. Проверете дали телефонот е поврзан со вашата локална Wi-Fi-мрежа.
4. Вклучете го прочистувачот и задржете го копчето Wi-Fi во траење од 5 секунди (ќе чуete звучен сигнал и индикаторот за Wi-Fi ќе светне за да ви покаже дека прочистувачот е успешно поврзан на Wi-Fi.)
5. Изберете ја Wi-Fi-мрежата и внесете ја мрежната лозинка за да се поврзете со вашата локална Wi-Fi-мрежа.
6. Готово е!  
Индикаторот за Wi-Fi светнува за да ви покаже дека прочистувачот е успешно поврзан со апликацијата Pure Air.

## Функција за Wi-Fi

За да почнете ново впарување, притиснете го копчето WiFi  во траење од 5 секунди.

- Кога светлото е вклучено, производот е впарен/поврзан.
- Кога светлото трепка брзо, а потоа бавно, производот се впарува/поврзува со WiFi/серверите.
- Кога светлото е исклучено, производот не е поврзан.

## Проблеми со поврзувањето

Во случај на проблеми при впарувањето помеѓу уредот и вашата домашна Wi-Fi-мрежа, погледнете ги информациите наведени на следниов линк:

<https://www.compatibility.groupeseb.com/CompatibilityList-Pureair-Rowenta.pdf>


<https://www.compatibility.groupeseb.com/CompatibilityList-Pureair-Tefal.pdf>

## РАКУВАЊЕ


За да постигнете најдобар ефект на прочистување, вашиот прочистувач треба да биде оддалечен повеќе од 60 cm од сидот.

Power « Start/Stop (1) » (Старт/Стоп на напојувањето) 


- Притиснете го ова копче за да го вклучите/исклучите прочистувачот на воздухот.

« Speed selection (2) » (Избор на брзина) 


- Може рачно да ја изберете брзината на прочистување, од брзина 1 до брзина 6.

« Копче Auto day mode (4) » (автоматски дневен режим) 

- Брзината на прочистување е поставена на брзина 2, брзина 4 или брзина 5, во согласност со нивото на квалитет на воздухот.
- Ако нивото на квалитет на воздухот е одлично, уредот нема да се активира.

« Auto Night Mode (5) » (Автоматски ноќен режим) 

- Брзината на прочистување е поставена на брзина 1, брзина 2 или брзина 3, во согласност со нивото на квалитет на воздухот.
- Ако нивото на квалитет на воздухот е одлично, уредот нема да се активира.
- За повторно да ја вклучите контролната табла, притиснете едно од копчињата. Светлата на уредот автоматски се исклучуваат по 5 секунди.

« Child lock (3) » (Заклучување за деца) 

- Системот за заклучување спречува прочистувачот да биде погрешно поставен по грешка додека работи.
- За да го активирате, притиснете го копчето (3) во траење од 5 секунди, додека не се вклучи индикаторот за заклучување на контролната табла. За да излезете од овој режим, повторно притиснете го копчето (3) во траење од 5 секунди додека индикаторот не се исклучи. Кога е избран овој режим, другите копчиња се заклучени.

### • Индикатор за квалитет на воздух

Индикаторот за квалитет на воздух е светлосниот круг околу копчето Start/Stop (Старт/Стоп). Индикаторот за квалитет на воздух (7) е лоциран на « Контролната табла (A) » на апаратот. LED-светилката го означува нивото на квалитет на воздухот:

Квалитет на воздухот	Боја за ниво на квалитет на воздухот
Одличен	Сина
Благо загадување	Зелена
Умерено загадување	Жолта
Високо загадување	Црвена

## ГРИЖА И ОДРЖУВАЊЕ

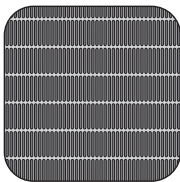
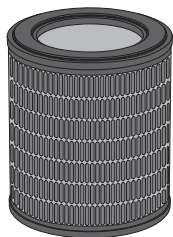
Пред да го започнете одржувањето, секогаш исклучувајте го прочистувачот на воздух со помош на копчето « Start/Stop (1) » (Старт/Стоп) и извадете го приклучокот од штекер. Користете влажна крпа за да ја чистите површината на производот.

**Важно: Не користете абразивни материјали, бидејќи тие може да ја оштетат површината на уредот.**

MK

## ФИЛТЕР

Овој апарат е опремен со 3 вида филтри:



Претфилтер

Филтер со активен јаглен

Филтер за честички

**Зачестеност на чистење/замена на филтерот :**

Филтер	Дејство	Циклуси
Претфилтер	Исчистете (отстранете го правот)	На секои 2 до 4 седмици
<b>3 во 1 претфилтер, филтер за алергија+ и активен јаглен</b>	Замена	Секои 12 месеци или кога ќе светне индикаторот за промена на филтерот

Препорачаната зачестеност за замена на филтерот може да се разликува во зависност од траењето на употребата и работната средина.

### ВАЖНО:

Индикаторот за промена на филтерот (6) светнува кога филтерот треба да се замени. Откако ќе го замените филтерот, притиснете и задржете го копчето во траење од 5 секунди.

### Присилно ресетирање:

Ако сте го замениле филтерот пред крајот на неговиот работен век, присилно ресетирајте го циклусот на филтерот:

1. Држете го индикаторот за промена на филтерот (6) во траење од 5 секунди.
2. Индикаторот ќе светне. Притиснете го копчето и задржете го 5 секунди за да го ресетираете циклусот на филтерот.



### « СОВЕТИ ЗА ПРОМЕНА НА ФИЛТРИ »

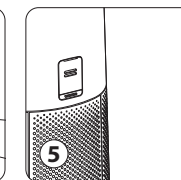
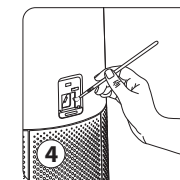
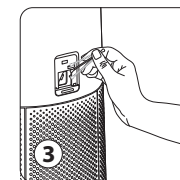
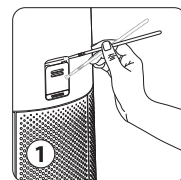
- Избегнувајте ракување со користени филтри ако страдате од алергии или астма.
- Носете ракавици при промената на филтрите или добро измијте ги рацете потоа.
- Ставете ги користените филтри директно во затворена, херметички затворена кеса пред да ги исфрлите за да не ги ширите загадувачите.

## СЕНЗОРИ ЗА ЗАГАДУВАЊЕ

Сензорот за честички треба да се чисти редовно (на секои 2 месеца) и соодветно.

**Погрижете се да го исклучите апаратот и да го извадите приклучокот од штекер пред да ги чистите сензорите за загадување, како и да ги следите долунаведените препораки.**

1. Чистете ги влезот и излезот на воздух со мека четка или крпа.
2. Отворете го капакот на сензорот што се наоѓа на задната страна од апаратот.
3. Малку навлажнете стапче со памучен врв и отстранете ја прашиката од објективот и од влезот/излезот. Исчистете со суво стапче со памучен врв.
4. Исчистете го сензорот со мека четка или со правосмукалка.
5. Заменете го капакот на сензорот



### ВАЖНО:

- Никогаш не користете детергент или метален предмет за да ги чистите сензорите.
- Ефикасноста на сензорите може да се намали ако не ги чистите редовно.
- Зачестеноста на чистење зависи од работната средина на апаратот. Ако се користи во правливо опкружување, чистете ги сензорите почесто.

## СКЛАДИРАЊЕ

Кога не го користите апаратот, чувајте го на ладно и суво место во услови не повисоки од 35°C 70%RH.

## ВО СЛУЧАЈ НА ПРОБЛЕМ

- Не расклопувајте го апаратот самите. Лошо поправениот уред може да биде опасен за корисникот.
- Погледнете ја табелата за отстранување проблеми подолу пред да контактирате со овластен сервисен центар:

Проблем	Проверете	Решение
<b>Апаратот не се вклучува.</b>	Дали кабелот за напојување е поврзан?	Поврзете го кабелот за напојување во штекер со соодветен напон.
	Дали сите елементи на екранот се исклучени?	Притиснете го копчето за вклучување/исклучување и изберете ја саканата функција.
	Дали има прекин на напојувањето?	Може да го користите прочистувачот веднаш штом повторно добие напојување. Апаратот не треба да е во Автоматски ноќен режим.
<b>Текот на воздухот не се менува автоматски.</b>	Дали апаратот е во рачен режим?	Изберете го правилниот работен режим.
<b>Протокот на воздух е многу помал од порано.</b>	Дали филтерот треба да се исчисти или замени?	Проверете ја зачестеноста на замена на филтерот и доколку тоа е потребно, заменете го филтерот.
		Проверете дали има прав на претфилтерот и исчистете го доколку е потребно.
<b>Од излезот за воздух излегува непријатна миризма.</b>	Дали светлото сè уште означува низок квалитет на воздухот?	Проверете ја зачестеноста на замена на филтерот и доколку тоа е потребно, заменете го филтерот.

MK

Проблем	Проверете	Решение
<b>Индикаторот за квалитет на воздухот не менува боја.</b>	Дали објективот на сензорот е покриен со прав?	Исчистете го објективот на сензорот со мека четка.
<b>Прочистувачот не се поврзува</b>	Дали на почеток на процесот го поврзавте вашиот телефон на вашата лична Wi-Fi-мрежа?	Проверете дали сте поврзани на вашата лична Wi-Fi-мрежа.
	Се чини дека прочистувачот не се поврзува?	Проверете дали апаратот е приклучен во штекер и дали е вклучен.
	LED-светилката Wi-Fi на прочистувачот не трепка?	Задржете го копчето Wi-Fi 5 секунди
	Првото впарување не успеа?	Рестартирајте го производот за да се обидете повторно.
	Телефонот ми е поврзан на Wi-Fi, но не и прочистувачот?	Проверете дали двата уреда се доволно блиску еден до друг и блиску до WIFI-рутерот.
	Телефонот не се поврзува на Wi-Fi-мрежата?	<ul style="list-style-type: none"> <li>• Проверете дали Wi-Fi-рутерот е поврзан на интернет</li> <li>• Проверете дали лозинката за Wi-Fi е променета</li> </ul>
<b>Зошто впарувањето не успеа?</b>	Проверете ја компатибилноста : <a href="https://www.compatibility.groupeseb.com/CompatibilityList-Pureair-Rowenta.pdf">https://www.compatibility.groupeseb.com/CompatibilityList-Pureair-Rowenta.pdf</a>	Поддржани видови шифрирање : WPA_1/WPA_2, TPK; PSK, AES Поддржани мрежи: 2,4 GHz

**ВАЖНО: ВО СЛУЧАЈ НА НЕПРАВИЛНОСТ ИЛИ ГУБЕЊЕ НА ВРСКАТА, ИСКЛУЧЕТЕ ГО ПРОЧИСТУВАЧОТ ОД ШТЕКЕР НЕКОЛКУ МИНУТИ, А ПОТОА ПОВТОРНО ПРИКЛУЧЕТЕ ГО.**

## ГАРАНЦИЈА

Не користете го апаратот и контактирајте со овластен сервисен центар ако:

- Апаратот ви паднал;
- Апаратот или кабелот за напојување се оштетени;
- Апаратот повеќе не функционира правилно.
- Може да пронајдете список на овластени сервисни центри во картичката за меѓународна гаранција на Rowenta. [www.rowenta.com](http://www.rowenta.com) и [www.tefal.com](http://www.tefal.com)

## РЕЦИКЛИРАЊЕ

### ДА ПОМОГНЕМЕ ДА СЕ ЗАШТИТИ ЖИВОТНАТА СРЕДИНА!



① Апаратот содржи вредни материјали што може повторно да се искористат или рециклираат.

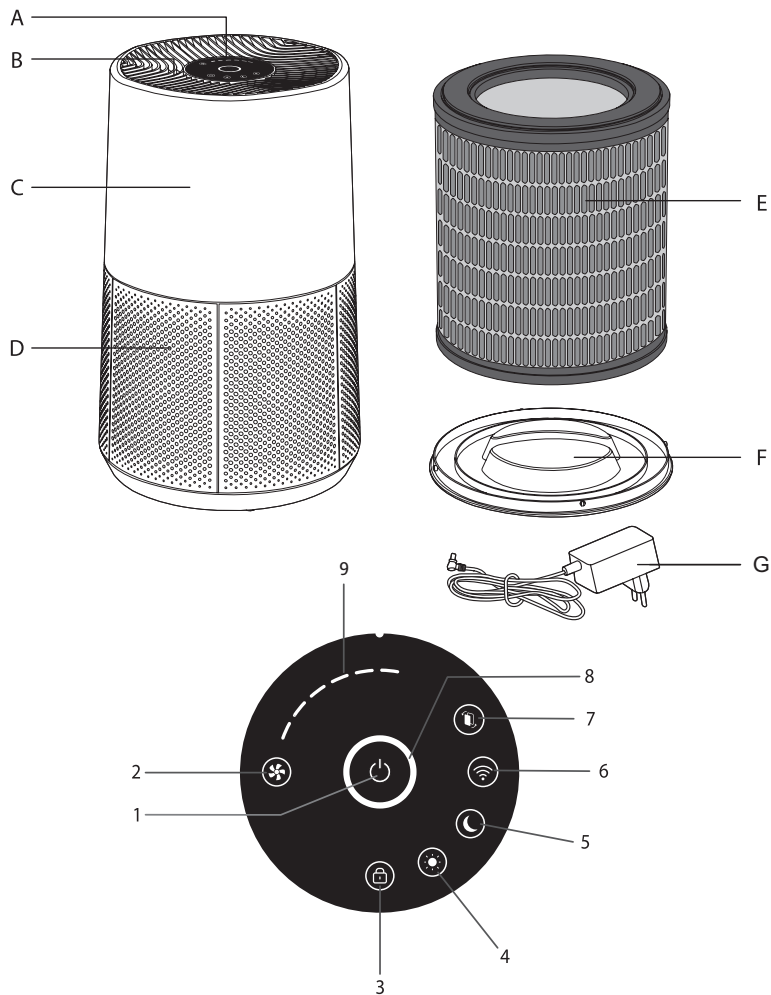
➡ Однесете го во локален пункт за собирање отпад или однесете го во овластен сервисен центар за да може да биде обработен.

Овие упатства може да ги пронајдете и на нашата интернет страница, на [www.rowenta.com](http://www.rowenta.com) и [www.tefal.com](http://www.tefal.com)

## ÖSSZEFOGLALÁS

A TERMÉK ÁTTEKINTÉSE	164
BIZTONSÁGI UTASÍTÁSOK	165
NAGYON FONTOS	165
MŰKÖDÉSI ELV	166
A SZŰRŐK KI-/BESZERELÉSE	167
A KÉSZÜLÉK ELHELYEZÉSE	168
TEENDŐK AZ ELSŐ HASZNÁLAT ELŐTT	168
HOGYAN CSATLAKOZTATHATJA A LÉGTISZTÍTÓT AZ INTERNETHEZ	168
MŰKÖDTETÉS	169
ÁPOLÁS ÉS KARBANTARTÁS	169
TÁROLÁS	171
PROBLÉMA ESETÉN	171
GARANCIA	172
A KÖRNYEZETVÉDELEM AZ ELSŐ!	172





## A TERMÉK ÁTTEKINTÉSE

### A készülékház tartozékai

- A. Vezérlőpanel
- B. Levegőkimeneti nyílás
- C. Készülékház
- D. Levegőbemeneti nyílás
- E. Szűrő
- F. Szűrőfedél
- G. Adapter

### Vezérlőgombok

- 1. Start / Stop
- 2. Sebességválasztó gomb
- 3. Gyermekekzár
- 4. Automatikus nappali üzemmód
- 5. Automatikus éjszakai üzemmód
- 6. Wi-Fi gomb
- 7. Szűrőcserejelző

### Vezérlőpanel jelzőlámpái

- 8. Levegőminőség-jelző
- 9. Kiválasztott sebesség jelzője

## Használat előtt figyelmesen olvassa el a használati és biztonsági utasításokat, és őrizze meg későbbi használat céljából.

### BIZTONSÁGI UTASÍTÁSOK

#### FIGYELMEZTETÉSEK

**Feltétlenül olvassa el figyelmesen ezeket az utasításokat, és tartsa be az alábbi javaslatokat:**

- Az Ön biztonsága érdekében a készülék megfelel az összes alkalmazandó szabványnak és szabályozásnak (alacsony feszültség, elektromágneses összeférhetőség, környezetvédelmi irányelvek stb.).
- Ezt a készüléket nem használhatják fizikai, érzékszervi vagy szellemi fogyatékkal élő személyek (beleértve a gyermekeket is), vagy akik nem rendelkeznek a használatához szükséges ismeretekkel és tapasztalatokkal, kivéve azt az esetet, ha az említett személyek a biztonságukért felelős személy felügyelete alatt állnak, vagy ilyen személytől kaptak útmutatást a készülék használatára vonatkozóan.
- A gyermekeket felügyelet alatt kell tartani annak érdekében, hogy ne játszhassanak a készülékkel.
- A készüléket 8 éven felüli gyermekek, valamint fizikai, érzékszervi vagy szellemi fogyatékkal élő személyek, illetve kellő tapasztalattal nem rendelkező személyek csak abban az esetben használhatják, ha folyamatos felügyelet alatt állnak, megtanították nekik a készülék biztonságos használatát, és tisztában vannak a lehetséges veszélyekkel. Gyermekek nem játszhatnak a készülékkel.
- Ha a hálózati kábel megsérült, a veszély elkerülése érdekében a cseréjét a gyártónak, az ügyfélszolgálati szerviznek vagy ahhoz hasonló képesítéssel rendelkező személynek kell elvégeznie.
- Gyermekek kizárólag felügyelet mellett tisztíthatják vagy végezhetnek karbantartást a készüléken.
- A karbantartási műveletekkel kapcsolatban tekintse meg a „Karbantartás” című részt.
- Tartsa a készüléket és a hozzá tartozó hálózati kábelt 8 éven aluli gyermekektől elzárva.
- Ez a készülék kizárólag háztartási használatra alkalmas. Ipari célra nem használható.
- A nem megfelelő használatból eredő sérülések esetén a garancia érvényét veszti.
- Ne használja a készüléket nagyon poros és/vagy páras, illetve tűzveszélyes helyen.
- Használat előtt mindig ellenőrizze, hogy a készülék, a csatlakozódugó és a hálózati kábel megfelelő állapotban van-e.
- Soha ne tegyen semmilyen tárgyat (pl. tüt stb.) a készülék belsejébe.
- Ne rángassa a hálózati kábelt vagy a készüléket, és ne a hálózati kábelnél fogva húzza ki a fali csatlakozóból.
- Használat előtt mindig teljesen tekerje le a kábelt.

Ha a dugasz érintkezői sérültek, a konnektorba dugható tápegységet le kell selejtezni.

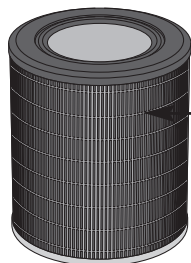
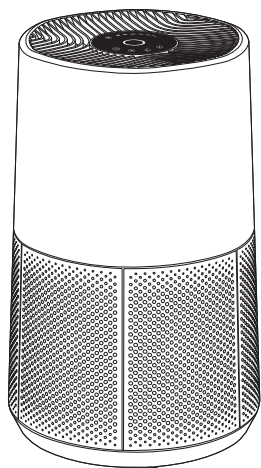
### NAGYON FONTOS

- **Ne takarja le a légbemeneti nyílásokat és/vagy a kimeneti rácsot.**
- **Ne érjen a készülékhez nedves kézzel.**
- **Soha ne engedje, hogy folyadék kerüljön a készülékbe.**
- **Soha ne használja a készüléket páras helyen.**
- **Soha ne használja a készüléket hőforrás közelében.**
- **Soha ne tegyen semmit a készülékre vagy a készülék belsejébe.**
- **Ne használja a készüléket gyúlékony tárgyak vagy termékek (függöny, aeroszol, oldószerek, stb.) közelében.**
- **Soha ne használja a készüléket ferde vagy vízszintes helyzetben. Helyezze a készüléket sík, stabil felületre.**
- **Hosszabb távollét esetén: kapcsolja ki a készüléket, és húzza ki a fali aljzatból.**
- **Mozgatás előtt kapcsolja ki a készüléket, és húzza ki a fali aljzatból.**
- **Az összeszerelés és tisztítás idejére a levegőtisztító hálózati csatlakozóját ki kell húzni a fali aljzatból.**

HU

## MŰKÖDÉSI ELV

A Pure Air City lehetővé teszi, hogy tiszta levegőt lélegezzen be otthonában, és az alábbiakban részletezettek szerint akár 3 különböző szűrési szinttel segítheti egészsége megővését. Minden szűrési szint alapvető fontosságú, és bizonyos szennyező anyagokat köt meg:



### 3 az 1-ben szűrő

#### 1-es fokozat: Előszűrő

- Por
- Haj
- Szőr
- Szősz

#### 2-es fokozat: Aktív szén szűrő

- Illékony szerves vegyületek (VOC)
- Szagok/gázok

#### 3-as szint: Allergia+ szűrő

- Apró részecskék (PM2,5)
- Pollen
- Poratkák
- Állati eredetű allergének
- Penész
- Baktériumok/vírusok

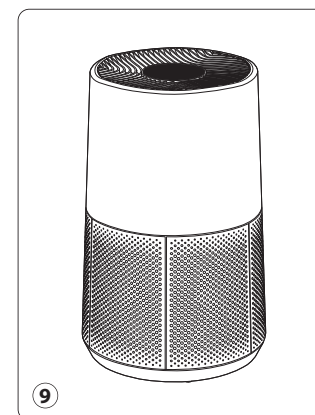
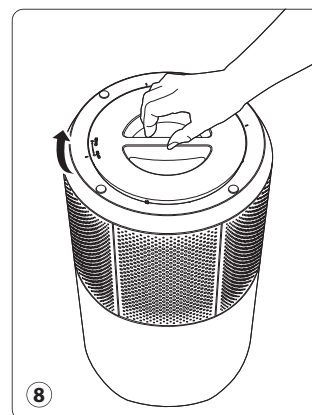
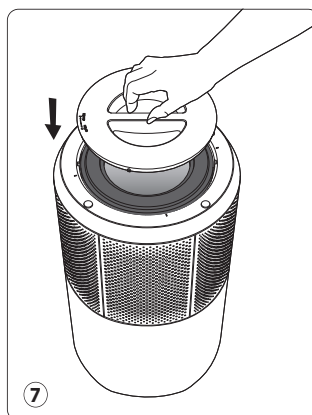
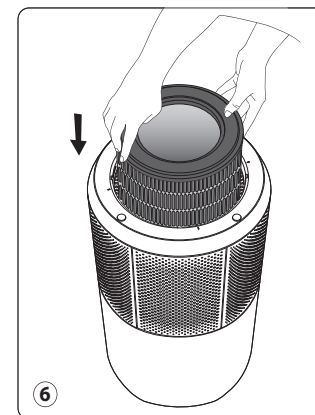
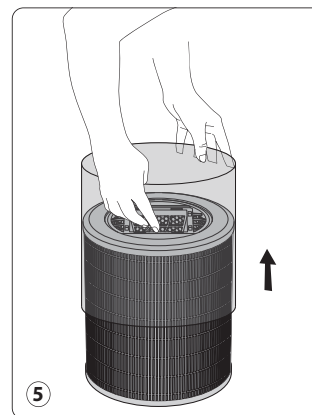
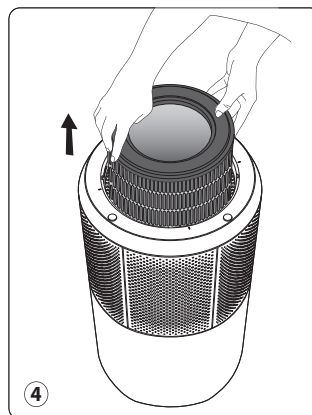
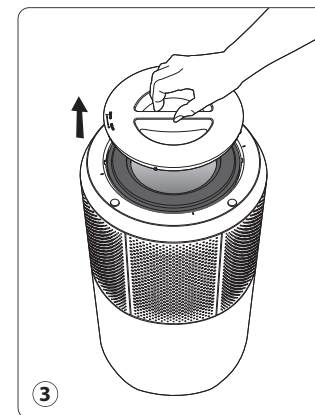
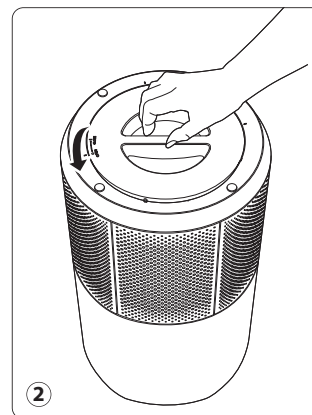
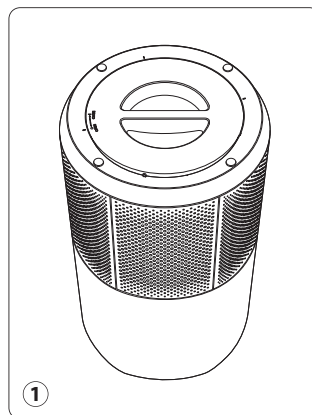


## « HOGYAN LEHET TISZTÁBB A BELTÉRI LEVEGŐ »

Íme néhány tipp arra, hogy az Intense Air Purifier használatán kívül miként javíthatja a beltéri levegő minőségét:

- Szellőztesse a szobákat legalább 10 percig minden nap, nyáron és télen is
- Tartsa karban a szellőzőrendszert
- Csökkentse a háztartási termékek használatát
- Ne dohányozzon beltérben
- Kerülje a légfrissítők, füstölők, illatosított gyertyák stb. használatát
- Szellőztessen, amikor munkálatokat végeznek az otthonában, és az azt követő hetekben is
- Kerülje az allergén vagy gyakori öntözést igénylő zöld növényeket

## A SZŰRŐK KI-/BESZERELÉSE



## A KÉSZÜLÉK ELHELYEZÉSE

Helyezze a készüléket sík, stabil felületre abban a szobában, amelynek levegőjét kezelni kívánja. A szabad levegőáramlás érdekében ne helyezze a készüléket függöny mögé, ablak alá vagy egyéb akadály közelébe, és hagyjon legalább 60 cm szabad helyet a készülék mindkét oldalán.

## A KÉSZÜLÉK ELSŐ HASZNÁLATA ELŐTT

**Győződjön meg róla, hogy használat előtt eltávolította a szűrőket védő műanyag csomagolást.** Az első használat előtt ellenőrizze, hogy a készülék feszültsége, frekvenciája és teljesítménye megfelel-e az áramellátásnak.

A készülék földetlen aljzattal működik. A készülék besorolása: II. osztály (kettős elektromos szigetelés).

A készülék bekapcsolása előtt ellenőrizze, hogy:

- a készülék teljes összeszerelése a biztonsági utasításokban leírtak szerint történt,
- a készülék stabil, vízszintes felületre van helyezve,
- a készülék elhelyezése a jelen kézikönyvben található utasításoknak megfelelően történt,
- a levegőbemeneti nyílások és a kimeneti rács előtt nincsen semmilyen akadály,
- a szűrők és a Szűrőfedél megfelelően lett összeszerelve (lásd a „A szűrők ki-/beszerelése” című részt)

**FONTOS: Javasoljuk, hogy kapcsolja ki, és húzza ki a készülék dugóját a konnektorból, amikor nem használja a készüléket.**

## HOGYAN CSATLAKOZTATHATJA A LÉGTISZTÍTÓT AZ INTERNETHEZ

Töltse le a «Pure Air By Rowenta» / «Pure Air by Tefal» alkalmazást, és kövesse az okostelefonon megjelenő utasításokat:

1. Ha új felhasználó, jelentkezzen be, és hozza létre Rowenta/Tefal fiókját. Vagy jelentkezzen be az alkalmazásba, ha már rendelkezik fiókkal.
2. Ügyeljen arra, hogy párosítás közben közel (legfeljebb 2 méterre) álljon a légtisztítóhoz, és hogy a légtisztító megfelelő erősségű Wi-Fi-jelvet kapjon.
3. Győződjön meg róla, hogy a telefonja a helyi Wi-Fi-hálózathoz csatlakozik.
4. Kapcsolja be a légtisztítót, és 5 másodpercig tartsa nyomva a Wi-Fi gombot (egy «hangjelzést» fog hallani, és a Wi-Fi jelzőlámpa villogni kezd, jelezve, hogy a légtisztító sikeresen csatlakozott a Wi-Fi-hálózathoz.)
5. Válassza ki a megfelelő Wi-Fi-hálózatot, és a csatlakoztatáshoz adja meg a hálózati Wi-Fi-jelszót.
6. Készen is van!

A Wi-Fi jelzőlámpa jelzi, hogy a légtisztító sikeresen csatlakozott a Pure Air alkalmazáshoz.

## Wi-Fi funkció

Új párosításhoz nyomja meg, és 5 másodpercig tartsa nyomva a Wi-Fi gombot. 

- Amikor a lámpa világít, a termék párosítva/csatlakoztatva van.
- Amikor a lámpa gyorsan, majd lassan villog, a termék párosítása/csatlakoztatása a Wi-Fi-hez/kiszolgálókhöz folyamatban van.
- Amikor a lámpa nem világít, a termék nincs csatlakoztatva.

## Csatlakozási problémák

A készülék és az otthoni Wi-Fi-hálózat között fellépő csatlakozási problémák esetén olvassa el az alábbi hivatkozáson keresztül elérhető információt:

<https://www.compatibility.groupeseb.com/CompatibilityList-Pureair-Rowenta.pdf>


<https://www.compatibility.groupeseb.com/CompatibilityList-Pureair-Tefal.pdf>

## MŰKÖDTETÉS


A legjobb tisztítási hatás elérése érdekében a tisztítót 60 cm-nél tovább kell elhelyezni a faltól.

Teljesítmény « Start/Stop (1) » 


- Nyomja meg ezt a gombot a légtisztító be/kikapcsolásához.

« Sebességválasztás (2) » 

- Az 1–6. sebességfokozat között manuálisan választhatja ki a légtisztítás sebességét.

« Automatikusan nappali üzemmód gomb (4) » 

- A légtisztítás sebessége a levegő minőségétől függően 2-es, 4-es vagy 5-ös fokozatra van állítva.
- Ha a levegő minősége kiváló, az eszköz nem működik.

« Automatikusan éjszakai üzemmód (5) » 

- A légtisztítás sebessége a levegő minőségétől függően 1-es, 2-es vagy 3-as fokozatra van állítva.
- Ha a levegő minősége kiváló, az eszköz nem működik.
- A készülék lámpái 5 másodperc után automatikusan kikapcsolnak. A vezérlőpanel visszakapcsolásához nyomja meg az egyik gombot.

« Gyermekzár (3) » 

- A zárolás megakadályozza a működő légtisztító beállításának véletlenszerű módosítását.
- Az aktiváláshoz 5 másodpercig tartsa nyomva a gombot (3), amíg a zárolt vezérlőpanel jelzője világítani nem kezd.  
Az üzemmódból való kilépéshez tartsa nyomva ismét 5 másodpercig a gombot (3), amíg a zárolt vezérlőpanel jelzője ki nem kapcsol.  
Amikor ez az üzemmód van kiválasztva, a többi gomb zárolva van.

### • Levegőminőség-jelző

A levegőminőség-jelző a start/stop gomb körül látható fény. A levegőminőség-jelző (7) a készülék « (A) vezérlőpaneljén » helyezkedik el. A LED-világítás jelzi a levegő minőségét:

Levegőminőség	Levegőminőséget jelző szín
Kiváló	Kék
Enyhe szennyezettség	Zöld
Közepes szennyezettség	Sárga
Erős szennyezettség	Piros

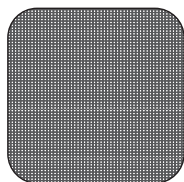
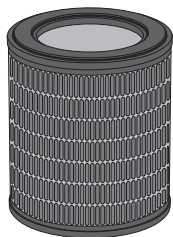
## ÁPOLÁS ÉS KARBANTARTÁS

**Mielőtt bármilyen karbantartást végezne, a « start/stop gombbal (1) » kapcsolja ki a légtisztító berendezést, és húzza ki a dugóját a konnektorból. A termék felületének tisztításához használjon nedves ruhát.**

**Fontos: Ne használjon csiszoló hatású anyagokat, mert ezek károsíthatják a készülék felületét.**

## SZŰRŐ

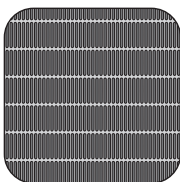
Ez a készülék háromféle szűrővel van felszerelve:



Előszűrő



Aktív szén szűrő



Részecskeszűrő

**A szűrő tisztításának/cseréjének gyakorisága:**

Szűrő	Művelet	Ciklusok
Előszűrő	Tisztítás (portalanítás)	2-4 hetente
3 az 1-ben előszűrő, allergia+szűrő és aktív szén	Csere	12 havonta, vagy amikor a szűrőcserejelző világít

A szűrőcsere javasolt gyakorisága a használat időtartamától és a működési környezettől függően változó lehet.

### FONTOS:

A szűrőcserejelző (6) világít, amikor a szűrőt ki kell cserélni. A szűrő cseréjét követően 5 másodpercig tartsa nyomva a gombot.

### Kényszerített visszaállítás:

Ha a szűrőt az élettartamának lejártá előtt cserélte ki, kényszerítse a szűrő ciklusának visszaállítását:

1. Tartsa nyomva a szűrőcserejelzőt (6) 5 másodpercig.
2. A jelző világít. A szűrőciklus visszaállításához tartsa nyomva 5 másodpercig a gombot.



### « TIPPEK SZŰRŐCSERÉHEZ »

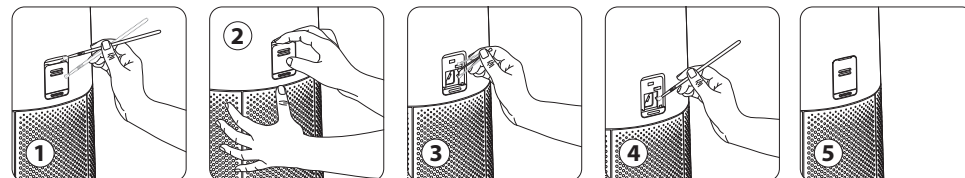
- Ha allergiában vagy asztmában szenved, kerülje a használt szűrők kezelését.
- A szűrők cseréjekor viseljen kesztyűt, vagy utána alaposan mosson kezét.
- A szennyező anyagok terjedésének elkerülése érdekében a használt szűrőket azonnal tegye be egy zárt, légmentes zsákba, mielőtt kidobná őket.

## SZENNYEZETTSÉGÉRZÉKELŐ

A részecskeérzékelőt rendszeresen (kéthavonta) és alaposan meg kell tisztítani.

A szennyezettségérzékelők tisztítása előtt kapcsolja ki a készüléket, húzza ki a csatlakozódugót a fali aljzatból, és kövesse a lenti utasításokat:

1. Egy puha kefével vagy ruhával tisztítsa meg a levegőbemeneti és -kimeneti nyílást.
2. Nyissa ki az érzékelő fedelét a készülék hátoldalán.
3. Nedvesítsen be egy fültisztító pálcikát, és távolítsa el a lencsén és a bemeneten/kimeneten összegyűlt port. Törölje le egy száraz fültisztító pálcikával.
4. Puha kefével vagy porszívóval tisztítsa meg az érzékelőt.
5. Helyezze vissza az érzékelőfedelelet



### FONTOS:

- Soha ne használjon mosószert vagy fémtárgyat az érzékelők tisztításához.
- Az érzékelők hatékonysága csökkenhet, ha nem tisztítja őket rendszeresen.
- A tisztítás gyakorisága attól függ, hogy milyen környezetben használja a készüléket. Ha poros környezetben használja, gyakrabban tisztítsa meg az érzékelőket.

## TÁROLÁS

Ha nem használja a készüléket, tárolja hűvös, száraz helyen, legfeljebb 35 °C-os hőmérsékleten és 70%-os relatív páratartalom mellett.

## PROBLÉMA ESETÉN

- Ne szerelje szét a készüléket. A rosszul javított készülék veszélyes lehet a felhasználóra.
- Mielőtt hivatalos szervizközponthoz fordul, ellenőrizze az alábbi hibaelhárítási táblázatot:

Probléma	Ellenőrizze	Megoldás
A készülék nem kapcsol be.	Csatlakoztatva van a hálózati kábel?	Csatlakoztassa a hálózati kábelt a megfelelő feszültségű hálózati aljzathoz.
	Az összes kijelzőelem ki van kapcsolva?	Nyomja meg a be/ki gombot, és válassza ki a kívánt funkciót.
	Áramszünet van?	A légtisztító berendezést az áramellátás visszakapcsolása után használhatja ismét. Ellenőrizze, hogy a készülék ne legyen Automatikus éjszakai üzemmódba állítva.
A légáramlás nem változik automatikusan.	A készülék manuális üzemmódban van?	Válassza ki a megfelelő üzemmódot.
A légáramlás sokkal gyengébb, mint korábban.	Ki kell tisztítani vagy ki kell cserélni a szűrőt?	Ellenőrizze a szűrő tisztításának és cseréjének gyakoriságát, és szükség esetén végezze el a szűrő tisztítását vagy cseréjét.
		Ellenőrizze, hogy az előszűrőn nincs por és ha van, tisztítsa meg.
Kellemtelen szag áramlik ki a levegőkimenetből.	A fény továbbra is rossz levegőminőséget jelez?	Ellenőrizze a szűrő tisztításának és cseréjének gyakoriságát, és szükség esetén végezze el a szűrő tisztítását vagy cseréjét.
A levegőminőség-jelző színe nem változik.	Puha kefével tisztítsa meg az érzékelőlencsét.	Puha kefével tisztítsa meg az érzékelőlencsét.

HU

171

170

Probléma	Ellenőrizze	Megoldás
<b>A légtisztító nem csatlakozik</b>	A telefon a folyamat elején csatlakozik a személyes Wi-Fi hálózathoz?	Ellenőrizze, hogy csatlakozik-e a személyes Wi-Fi-hálózathoz.
	A légtisztító nem csatlakozik?	Ellenőrizze, hogy a készülék csatlakoztatva van-e az elektromos hálózathoz és be van-e kapcsolva.
	A légtisztító Wi-Fi LED-lámpája nem villog?	Tartsa lenyomva 5 másodpercig a Wi-Fi gombot.
	Az első párosítás sikeres volt?	Az újrapróbálkhoz indítsa újra a terméket.
	A telefonom csatlakoztatva van a Wi-Fi-hez, a légtisztító viszont nem?	Győződjön meg arról, hogy a két eszköz elég közel van-e egymáshoz és a Wi-Fi routerhez.
	A telefonom nem csatlakozik a Wi-Fi-hez?	<ul style="list-style-type: none"> <li>Ellenőrizze, hogy a Wi-Fi router csatlakozik-e az internethez</li> <li>Ellenőrizze, hogy a Wi-Fi-jelszó nem változott-e meg</li> </ul>
<b>Miért nem sikerül a párosítás?</b>	Ellenőrizze a kompatibilitást: <a href="https://www.compatibility.groupeseb.com/CompatibilityList-Pureair-Rowenta.pdf">https://www.compatibility.groupeseb.com/CompatibilityList-Pureair-Rowenta.pdf</a>	Támogatott titkosítási típus: WPA_1/WPA_2, TPK, PSK, AES Támogatott hálózatok: 2,4 GHz

**FONTOS: RENDELLENESSÉG VAGY A KAPCSOLAT ELVESZTÉSE ESETÉN NÉHÁNY PERCRE HÚZZA KI A LÉGTISZTÍTÓT A FALI ALJZATBÓL, MAJD ISMÉT DUGJA VISSZA.**

## GARANCIA

Ne használja a készüléket, és forduljon egy hivatalos szervizközpontoz, ha:

- a készülék leesett;
- a készülék vagy a hálózati kábel sérült;
- a készülék nem működik megfelelően.
- A hivatalos szervizközpontok listája a Rowenta nemzetközi garanciakártyán található.  
[www.rowenta.com](http://www.rowenta.com) és [www.tefal.com](http://www.tefal.com)

## ÚJRAHASZNOSÍTÁS

### A KÖRNYEZETVÉDELEM AZ ELSŐ!



- ① A készülék értékes nyersanyagokat tartalmaz, amelyek visszanyerhetők vagy újrahasznosíthatók.  
➡ A készüléket adja le egy helyi kommunális hulladékgyűjtő telepen.

**Ezek az utasítások a következő oldalakon is megtalálhatók: [www.rowenta.com](http://www.rowenta.com) és [www.tefal.com](http://www.tefal.com)**

#### EGYSZERŰSÍTETT EU-MEGFELELŐSÉGI NYILATKOZAT

GROUPE SEB igazolja, hogy a Purifier PU2840F0 típusú rádióberendezés megfelel a 2014/53/EU irányelvnek.

Az EU-megfelelőségi nyilatkozat teljes szövege elérhető a következő internetes címen:

<https://www.rowenta.hu/eu-declaration-of-conformity>

frekvenciasávok : 2400–2483,50 Mhz (Wi-Fi & Bluetooth)

frekvenciasávokban továbbított maximális jelerősség :	WiFi :	18 dBm
	Bluetooth :	8 dBm